

DRAWN BY: Engineering		DIMENSIONS ARE INCHES [mm]	
TOLERANCES: +/- 1/8 in (UNLESS OTHERWISE SPECIFIED)		DRAWING TYPE: Engineering	
APPROXIMATE SCREEN WEIGHT: 55 LBS		DRAWING TITLE: Typical	
APPROXIMATE SHIPPING WEIGHT: 142 LBS		CREATION DATE: 8/7/14	
MODEL #: CIAC113DW-6-2-5		TITLE: CIMA ABOVE CEILING	
SIZE: A	SHEET: 1 OF 7	PART NO.: 00920	REV.:

NOTE: DARK COLORS HAVE BEEN LIGHTENED FOR CLARITY PURPOSES

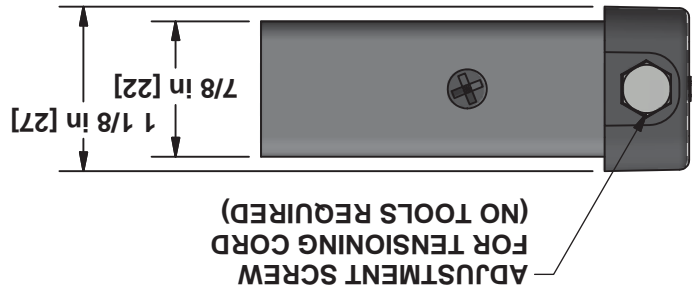
RESTRICTION: The information contained in the proposal is confidential and proprietary to Stewart Filmscreen Corporation, shall not be disclosed beyond the vendor company, and shall not be duplicated, used, or disclosed in whole or in part for any purpose except to evaluate this proposal.

RESTRICTION: The information contained in the proposal is confidential and proprietary to Stewart Filmscreen Corporation, shall not be disclosed beyond the vendor company, and shall not be duplicated, used, or disclosed in whole or in part for any purpose except to evaluate this proposal.

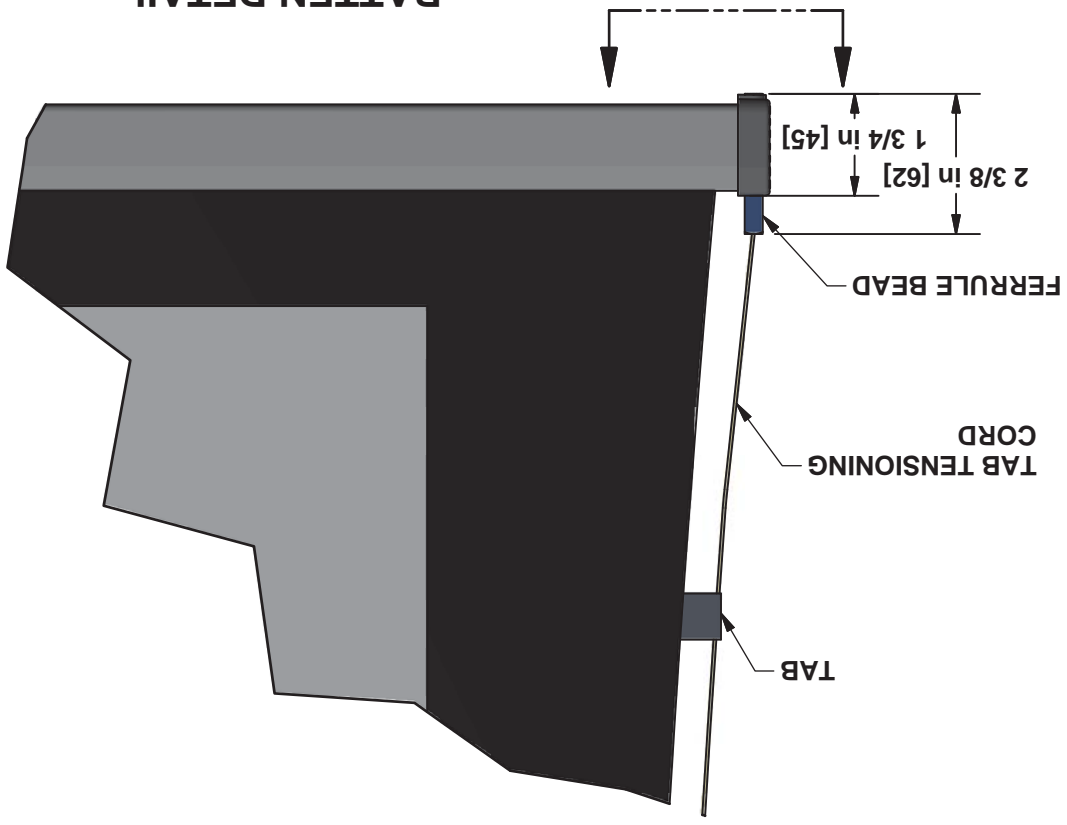
The information contained in the proposal is confidential and proprietary to Stewart Filmscreen Corporation, shall not be disclosed beyond the vendor company, and shall not be duplicated, used, or disclosed in whole or in part for any purpose except to evaluate this proposal.

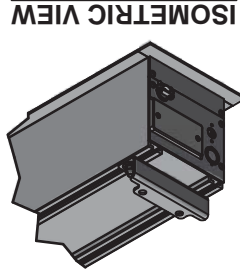
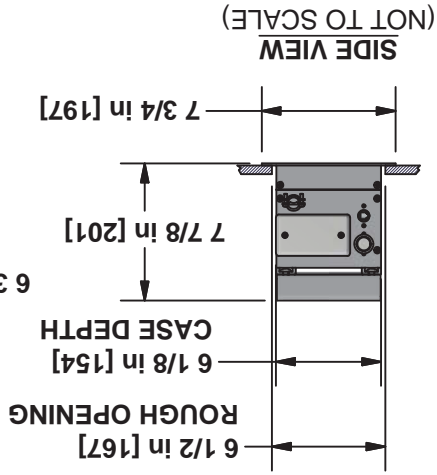
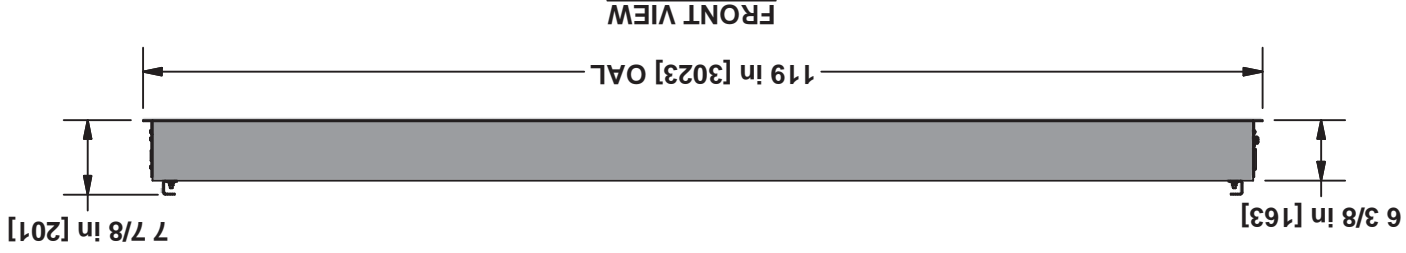
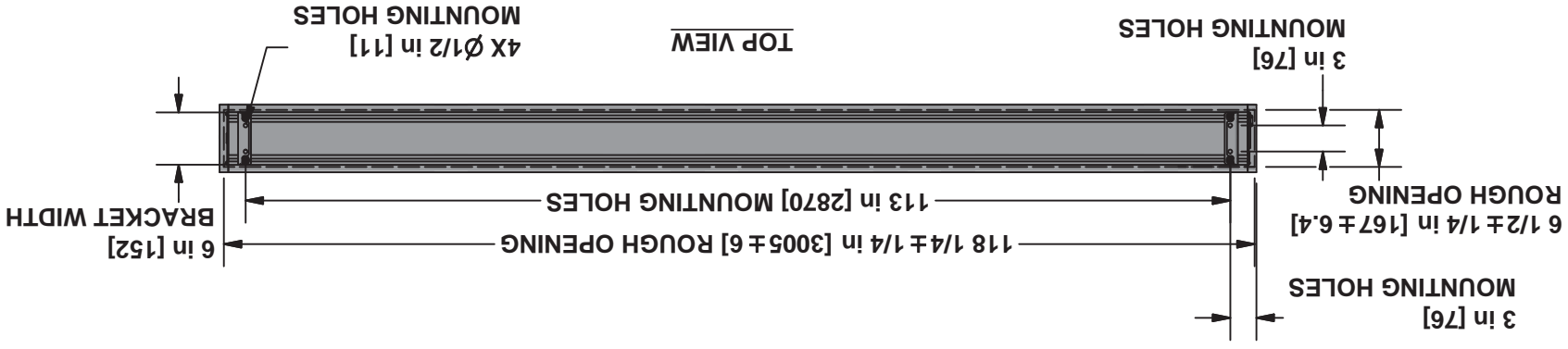
DRAWN BY: Engineering		DIMENSIONS ARE inches [mm]	
TOLERANCES: +/- 1/8 in (UNLESS OTHERWISE SPECIFIED)		DRAWING TYPE: Engineering	
APPROXIMATE SCREEN WEIGHT: 55 LBS		TITLE: Typical	
APPROXIMATE SHIPPING WEIGHT: 142 LBS		CREATION DATE: 8/7/14	
MODEL #: CIAC113DW-6-2-5		CASE COLOR: White	
SIZE: A	SHEET: 2 OF 7	PART NO.: 00920	
REV.			

BATTEN END CAP
REFLECTED CEILING VIEW



BATTEN DETAIL
TAB TENSIONING VIEW





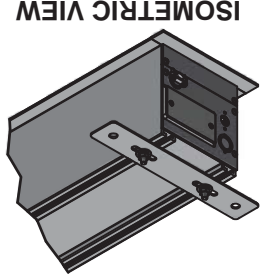
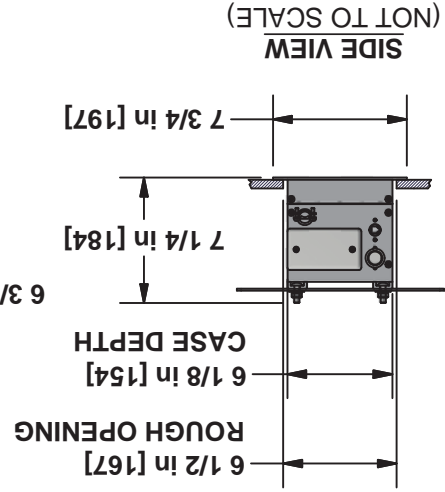
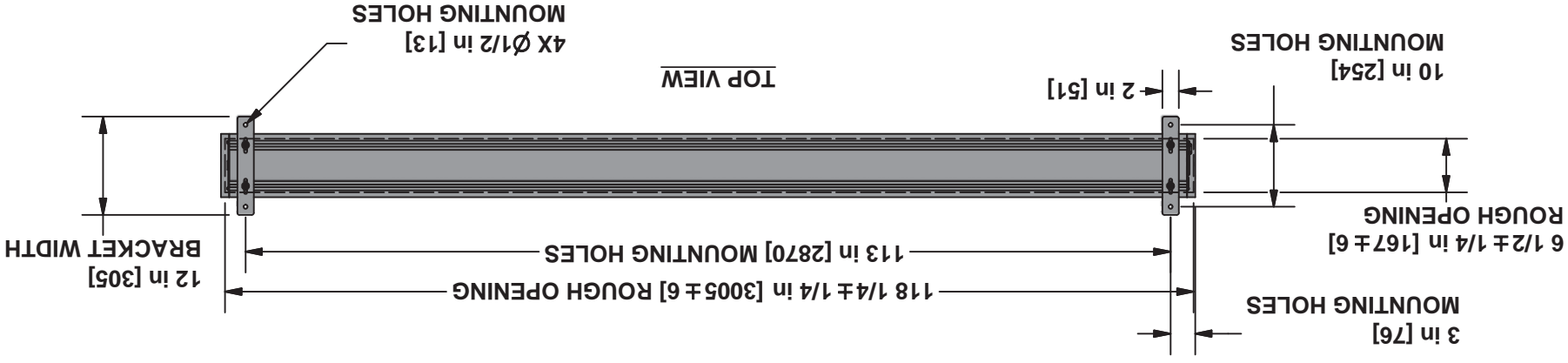
MOUNTING BRACKET STANDARD

DRAWN BY: Engineering		DIMENSIONS ARE INCHES [mm]	
TOLERANCES: +/- 1/8 in (UNLESS OTHERWISE SPECIFIED)		DRAWING TYPE: Engineering	
APPROXIMATE SCREEN WEIGHT: 55 LBS		TITLE: Typical	
APPROXIMATE SHIPPING WEIGHT: 142 LBS		CREATION DATE: 8/7/14	
MODEL #: CIAC113DW-6-2-5		CASE COLOR: White	
SIZE: A	SHEET: 3 OF 7	PART NO.: 00920	REV:

Stewart FILM SCREEN
 1161 W. Sepulveda Blvd., Torrance, CA 90502
 Customer Care (800) 762-4999 Fax (310) 326-6870

CIMA ABOVE CEILING

RESTRICTION: The information contained in the proposal is confidential and proprietary to Stewart Filmscreen Corporation, shall not be disclosed beyond the vendor company, and shall not be duplicated, used, or disclosed in whole or in part for any purpose except to evaluate this proposal.

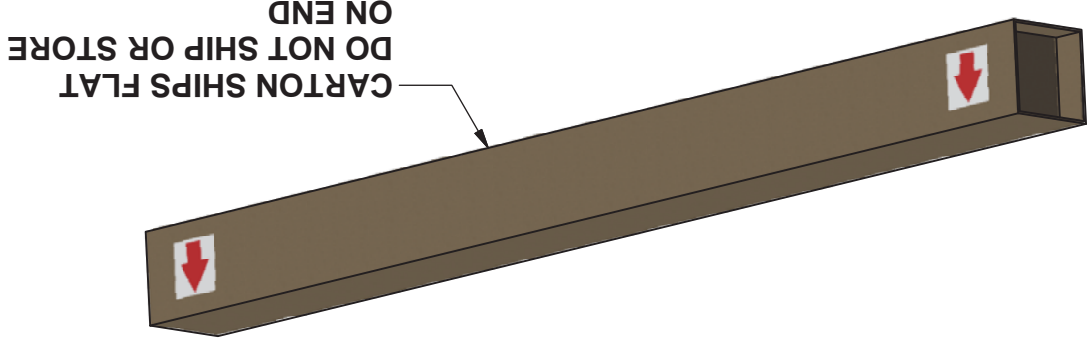
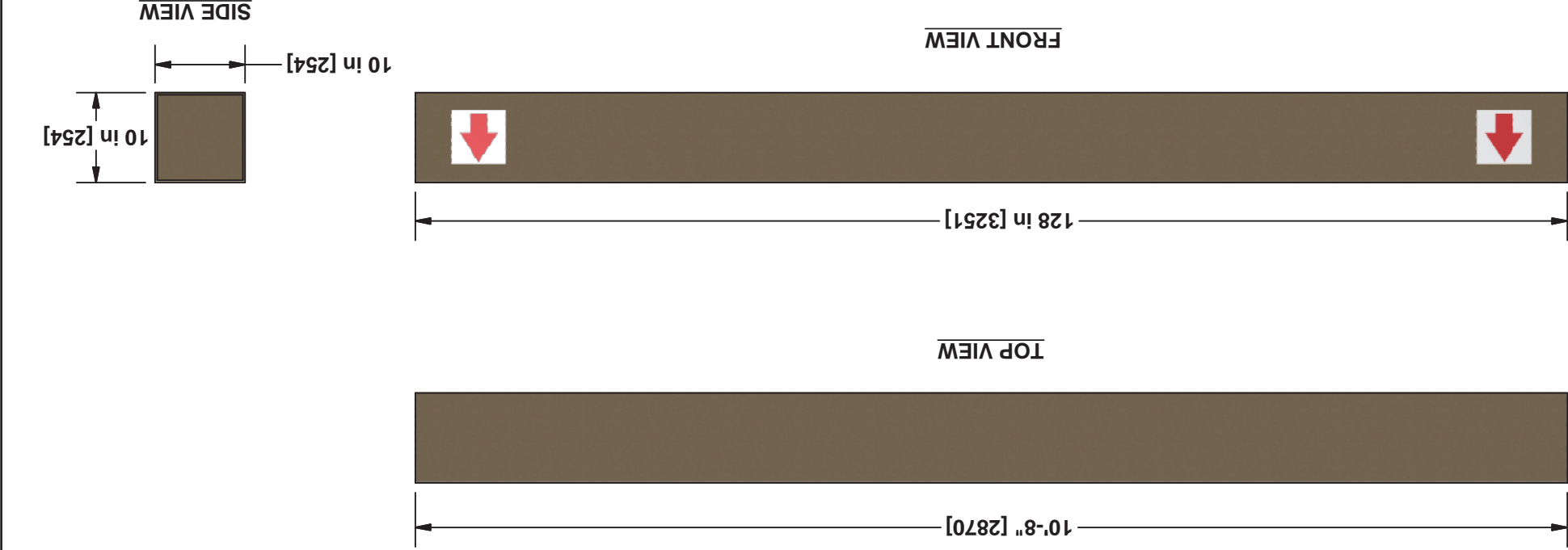


MOUNTING BRACKET

OPTIONAL

DRAWN BY: Engineering		DIMENSIONS ARE INches [mm]	
TOLERANCES: ±.1/8 in		(UNLESS OTHERWISE SPECIFIED)	
DRAWING TYPE: Typical		APPROXIMATE SCREEN WEIGHT: 55 LBS	
TITLE: CIM A ABOVE CEILING		APPROXIMATE SHIPPING WEIGHT: 142 LBS	
CUSTOMER CARE: 1161 W. Sepulveda Blvd., Torrance, CA 90502 Customer Care (800) 762-4999 Fax (310) 326-6870		CREATION DATE: 8/7/14	
SIZE: A	SHEET: 4 OF 7	CASE COLOR: White	MODEL #: CIAC113DW-6-2-5
REV:	PART NO. 00920		

RESTRICTION: The information contained in the proposal is confidential and proprietary to Stewart Filmscreen Corporation, shall not be disclosed beyond the vendor company, and shall not be duplicated, used, or disclosed in whole or in part for any purpose except to evaluate this proposal.



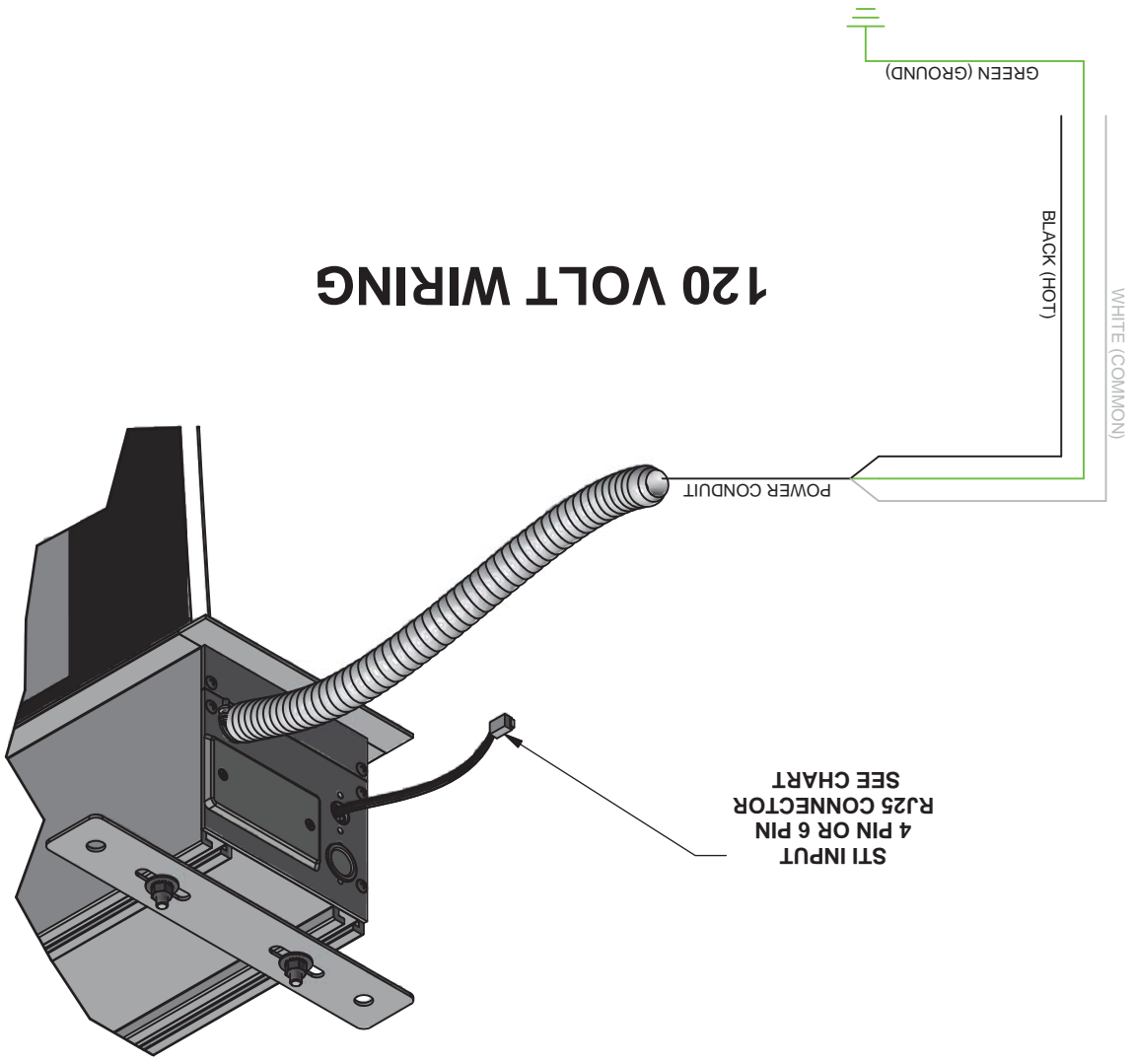
DRAWN BY: Engineering		DIMENSIONS ARE INCHES [mm]	
TOLERANCES: +/- 1/8 in (UNLESS OTHERWISE SPECIFIED)		DRAWING TYPE: Engineering	
APPROXIMATE SCREEN WEIGHT: 55 LBS		CREATION DATE: 8/7/14	
APPROXIMATE SHIPPING WEIGHT: 142 LBS		MODEL #: CIAC113DW-6-2-5	
TITLE: CIMA ABOVE CEILING		CASE COLOR: White	
SIZE: A	SHEET: 5 OF 7	PART NO.: 00920	REV:

RESTRICTION: The information contained in the proposal is confidential and proprietary to Stewart Filmscreen Corporation, shall not be disclosed beyond the vendor company, and shall not be duplicated, used, or disclosed in whole or in part for any purpose except to evaluate this proposal.

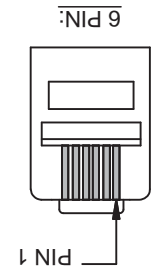
DRAWN BY: Engineering		DIMENSIONS ARE INches [mm]	
TOLERANCES: +/- 1/8 in (UNLESS OTHERWISE SPECIFIED)		DRAWING TYPE: Engineering	
APPROXIMATE SCREEN WEIGHT: 55 LBS		APPROXIMATE SHIPPING WEIGHT: 142 LBS	
APPROXIMATE DATE: 8/7/14		MODEL #: CIAC113DW-6-2-5	
TITLE: CIMA ABOVE CEILING		CASE COLOR: White	
SIZE: A	SHEET: 6 OF 7	PART NO.: 00920	REV.

RESTRICTION: The information contained in the proposal is confidential and proprietary to Stewart Filmscreen Corporation, shall not be disclosed beyond the vendor company, and shall not be duplicated, used, or disclosed in whole or in part for any purpose except to evaluate this proposal.

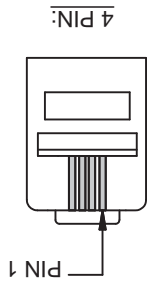
120 VOLT WIRING



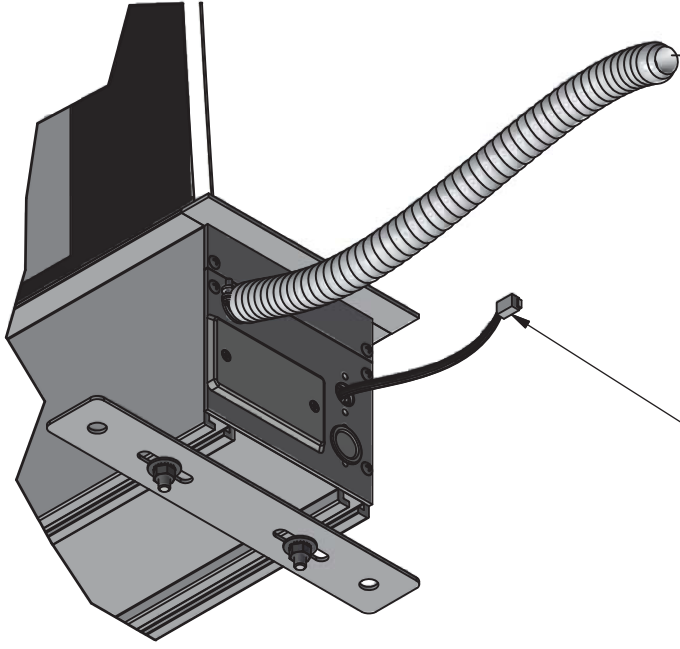
PIN	SIGNAL
1	NOT USED
2	COMMON
3	LV1
4	LV2
5	STI
6	NOT USED



PIN	SIGNAL
1	COMMON
2	LV1
3	LV2
4	STI

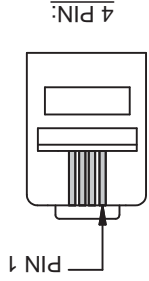
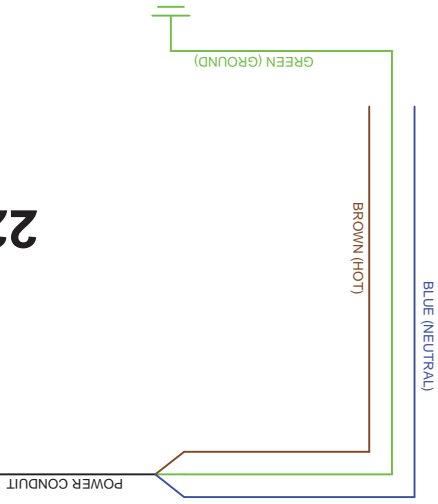


STI INPUT
4 PIN OR 6 PIN
SEE CHART

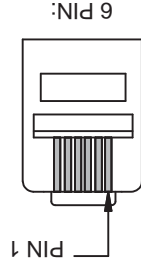


STI INPUT
4 PIN OR 6 PIN
RJ25 CONNECTOR
SEE CHART

220 VOLT WIRING



PIN	SIGNAL
1	COMMON
2	LV1
3	LV2
4	STI



PIN	SIGNAL
1	NOT USED
2	COMMON
3	LV1
4	LV2
5	STI
6	NOT USED

DRAWN BY: Engineering		DIMENSIONS ARE INCHES [mm]	
TOLERANCES: +/- 1/8 in (UNLESS OTHERWISE SPECIFIED)		DRAWING TYPE: Engineering	
APPROXIMATE SCREEN WEIGHT: 55 LBS		DRAWING TYPE: Typical	
APPROXIMATE SHIPPING WEIGHT: 142 LBS		CREATION DATE: 8/7/14	
MODEL #: CIAC113DW-6-2-5		TITLE: CIMA ABOVE CEILING	
CASE COLOR: White	SIZE: A	SHEET: 7 OF 7	PART NO.: 00920
REV.			

RESTRICTION: The information contained in the proposal is confidential and proprietary to Stewart Filmscreen Corporation, shall not be disclosed beyond the vendor company, and shall not be duplicated, used, or disclosed in whole or in part for any purpose except to evaluate this proposal.