

**FULL SIZE 8" DEEP
BACK BOX**

1028BBXW



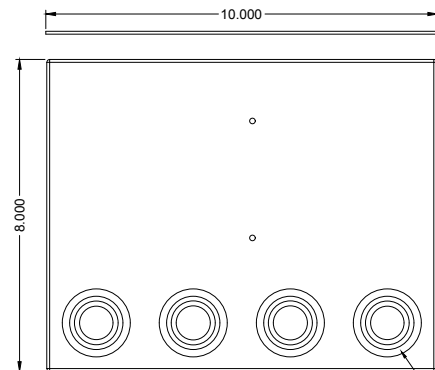
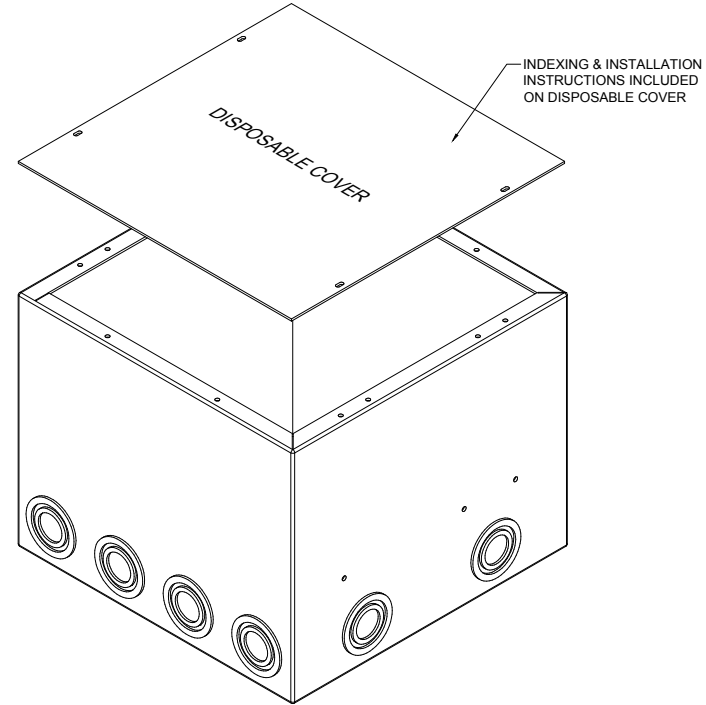
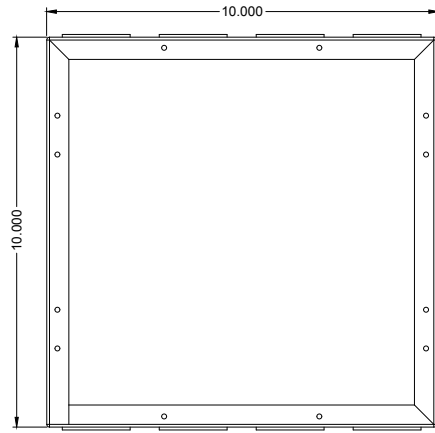
MATES WITH
VERTICAL SLANT
STYLE POCKET



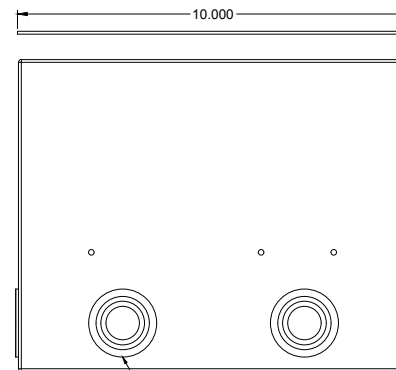
PROUDLY MADE
IN THE U.S.A.



ACE BACKSTAGE CO
Stage Pocket Systems **Connectivity**
www.acebackstage.com



1/2", 3/4", 1", AND 1-1/4" COMBINATION
KNOCKOUTS (4) PLACES TYPICAL ON
OPPOSING SIDES



1/2", 3/4", 1", AND 1-1/4" COMBINATION
KNOCKOUTS (2) PLACES TYPICAL ON
ONE SIDE ONLY

REVISION: 11/2019	FINISH : - ASTM Certified Electro Deposited Clear Zinc - 1/16" Thick Polyurethane Jacket for moisture seal	COMPATIBLE POCKETS: Any Full Size Stage Pocket: 122/222/322	DESCRIPTION: Polyurethane encapsulated Rough In Box for use with Full Size Stage Pockets. Provides extra protection from incursion of moisture and water by sealing seams, knock-outs, and holes. Provides 3.5" of junction clearance underneath the installed Pocket. Made from 14ga CRS.	REV 1 SHEET 1 OF 1
-------------------	--	---	---	------------------------------------