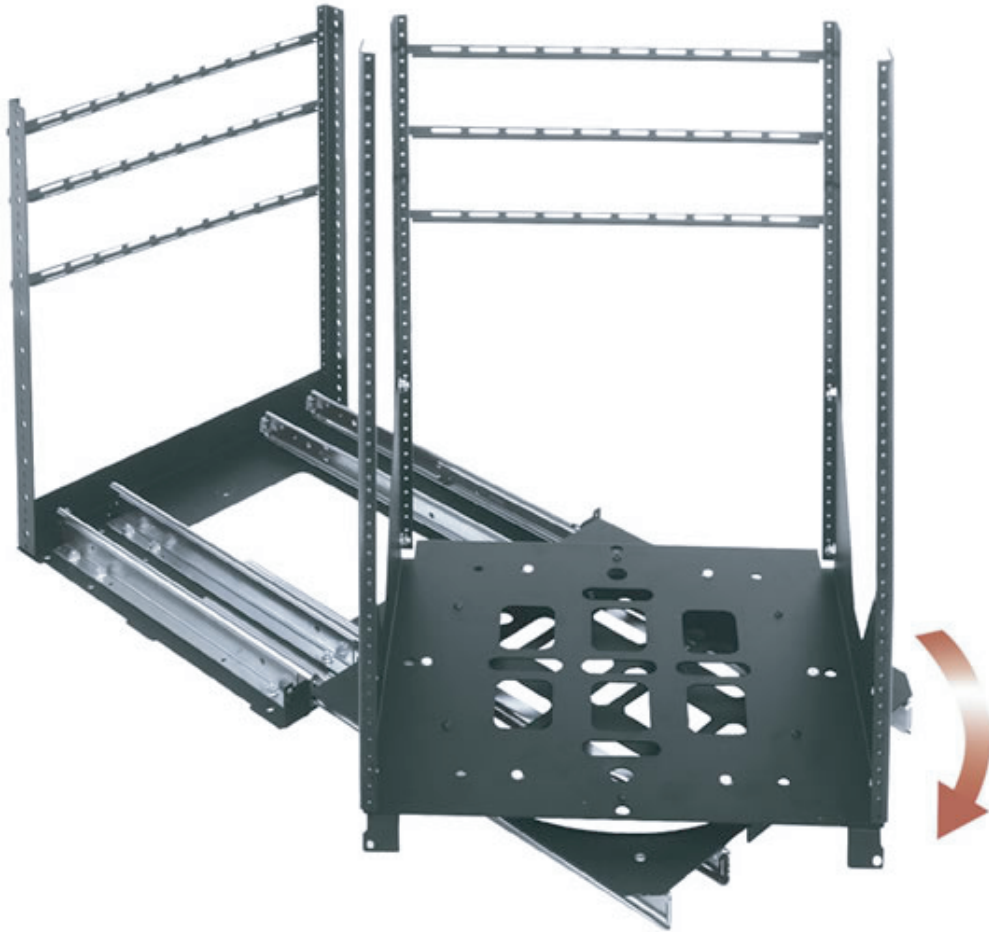


# INSTRUCTION SHEET

## C5-D SRSR12 SERIES

ROTATING SLIDING RAIL SYSTEM  
FOR C5-D DEEP CREDENZA RACK



### THANK YOU

Thank you for purchasing the C5-D SRSR12 Series Rotating Sliding Rail System. Please read these instructions thoroughly before installing or assembling this product.

### PRODUCT FEATURES

- Provides easy access to rear equipment connections within the C5-D Series Deep Credenza.
- Rack frame removes for in-shop integration and on-site installation.
- Features anti-tip feet that automatically extend and retract when rack slides in and out of credenza.

## IMPORTANT SAFETY INSTRUCTIONS

- Read these instructions.
- Heed all warnings.
- Clean only with dry cloth.
- Keep these instructions.
- Follow all instructions.
- Only use attachments/accessories specified by the manufacturer.



**WARNING:** A warning alerts you to a situation that could result in serious personal injury or death.



**WARNING:** Middle Atlantic Products, Inc. electrical systems conform to and should be properly grounded in compliance with requirements of the current National Electrical Code or codes administered by local authorities. All electrical products may present a possible shock or fire hazard if improperly installed or used. Middle Atlantic Products, Inc. electrical products may bear the mark of a Nationally Recognized Testing Laboratory (NRTL) and should be installed in conformance with current local and/or the National Electrical Code.



**WARNING:** Failure to read, understand and follow the following information can result in serious personal injury, damage to the equipment or voiding of the warranty. It is the responsibility of the Installer/User to ensure that this product is loaded according to specifications.



**WARNING TIPPING HAZARD:** Verify stability legs/wheels are engaged before fully extending slides. Legs/wheels will automatically drop as slides are pulled forward. Without legs/wheels in place, a serious unstable condition can occur which may cause possible serious injury or damage to the equipment.



**CAUTION:** Secure trim plate in place before moving credenza cabinet. Damage could occur to the C5D-SRSR12, credenza, installed components, and cause possible injury to the user.

## INSTRUCTIONS IMPORTANTES SUR LA SÉCURITÉ

- Lire ces instructions.
- Respectez tous les avertissements.
- Nettoyer uniquement avec un chiffon sec.
- Conservez ces instructions.
- Suivez toutes les instructions.
- N'utilisez que des accessoires spécifiés par le fabricant.



**AVERTISSEMENT:** Un avertissement vous avertit d'une situation pouvant entraîner des blessures graves ou la mort.



**AVERTISSEMENT:** Middle Atlantic Products, Inc. électrique systèmes conformes à devraient être mis à la terre dans conformité avec les exigences de la National actuelle ou comme les codes électrique administré par les autorités locales autorités. Tous les produits électriques peuvent présenter un choc ou un incendie danger si elle est mal installé ou utilisé. Middle Atlantic Products, Inc. produits électriques peuvent porter la marque d'un Nationally Recognized Testing Laboratory (NRTL) et doit être installé en conformité avec courant local et/ou le National Electrical Code.



**AVERTISSEMENT:** Refus de lire, comprendre et suivre la renseignements suivants peut traduire par de graves blessures, des dommages à l'équipement ou invalider la garantie. Il est la responsabilité de l'installateur / utilisateur de s'assurer que ce produit est chargé conformément aux spécifications.



**AVERTISSEMENT RISQUE DE BASCULEMENT:** Vérifiez que les jambes/roues de stabilité sont bien engagées avant de déployer complètement les glissières. Les jambes/roues tomberont automatiquement lorsque les diapositives seront tirées vers l'avant. Sans jambes/roues en place, une situation instable grave peut se produire et entraîner des blessures graves ou des dommages matériels.



**ATTENTION:** Fixez la plaque de garniture en place avant de déplacer le placard. Le C5D-SRSR12, la crédence, les composants installés et les utilisateurs pourraient être endommagés.

## WEIGHT RATING

Model Number	Weight Rating
C5-D SRSR12	125 lbs. (57kg) Maximum Total Rated Load



**WARNING:** This product is intended for use only with the products and maximum weights indicated. Use with other products or products heavier than the maximum weights indicated may result in instability causing possible injury. Total equipment weight must not exceed 125 lbs. (57 kg).

**AVERTISSEMENT:** Cette produit est conçu pour être utilisé uniquement avec les produits et les poids maximum indiqué. uniquement avec les produits et les poids maximaux indiqués. En cas d'utilisation avec d'autres produits ou des produits plus lourds que le poids maximal indiqué, le chariot peut devenir instable et causer des blessures. Le poids total de l'équipement ne doit pas dépasser 57 kg (125 lbs).

## SUPPLIED COMPONENTS AND HARDWARE

QTY	DESCRIPTION
8	1/4" - 20 Flange Nuts
4	#10 - 32 x 1/2" Hex Head Screws
14	5/16" - 18 Flange Nuts
8	1/4" - 20 x 3/4" Machine Screws
26	#10 - 32 Rack Screws

## REQUIRED TOOLS

- 1/8" Hex Key (Provided)
- #2 Phillips Screwdriver
- 1/2" Wrench
- 7/16" Wrench



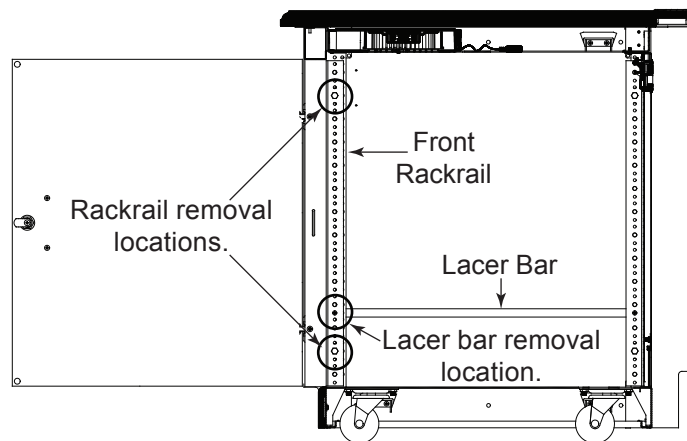
**WARNING:** Use tools with caution and follow all necessary safety protocols.

**AVERTISSEMENT:** Utiliser des outils avec prudence et suivre tous les protocoles de sécurité nécessaires.

## INTRODUCTION

### NOTE:

1. Access to the underside of credenza is required for mounting the SRSR12 base to your credenza.
2. Install the C5-D SRSR12 base before installing the C5 wood side panels and doors. If wood is installed, the bay door must be removed prior C5-D SRSR12 installation. For door removal instructions, see "Installing or Removing The C5-D Door" on page 8.
3. Use a 7/16" wrench to remove the two front rackrails prior to installing the SRSR12 into your C5-D. Then, remove the Phillips head screw attaching the lacer bar to the rackrail. Once the rail is removed, reattach the lacer bar as shown. (**FIGURE A**)



**NOTE:** Side view.  
Components removed for clarity.

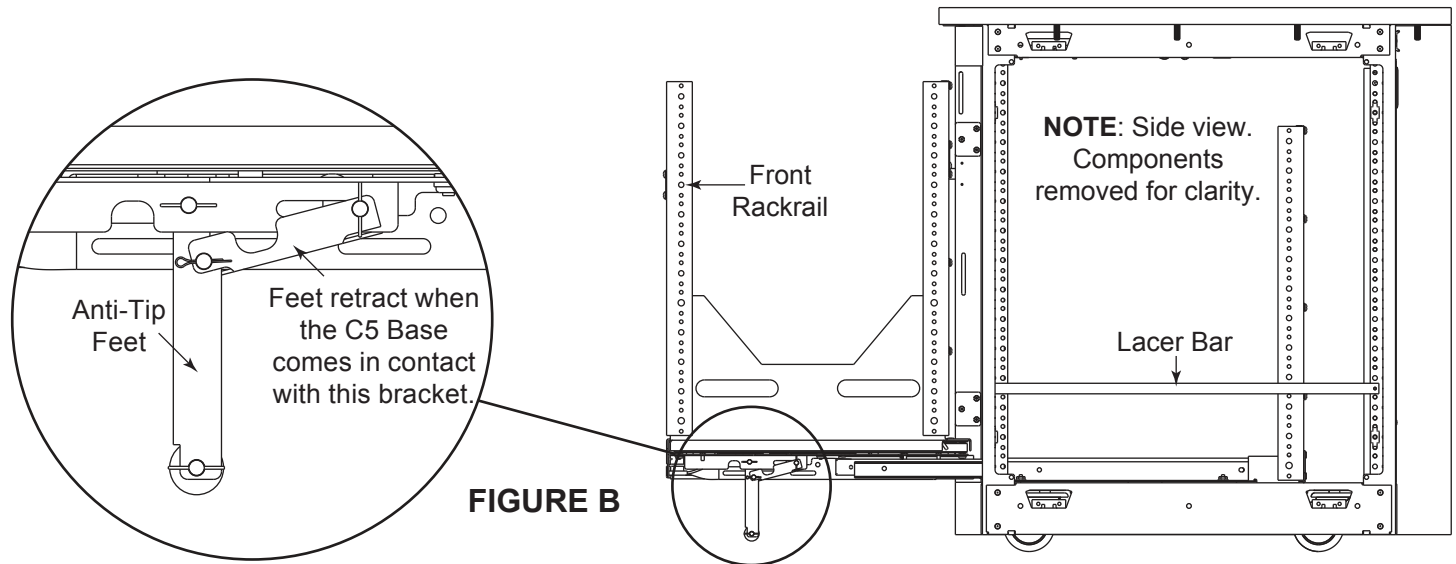
**FIGURE A**

## INTRODUCTION (CONTINUED)

4. The C5D-SRSR12 is equipped with automatically extending and retracting anti-tip feet. These anti-tip feet help stabilize the C5 when the SRSR12 is in its service position. **(FIGURE B)**

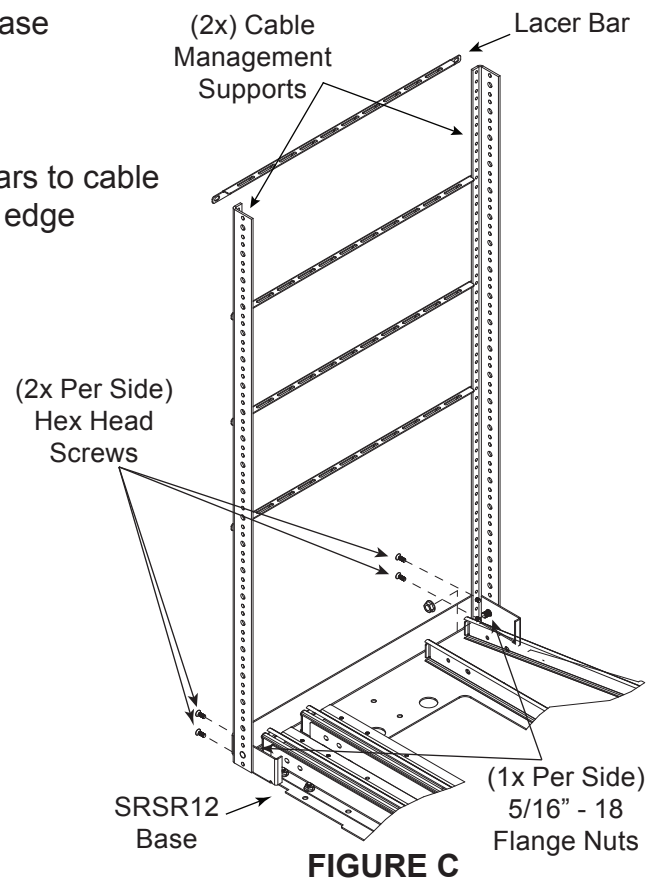
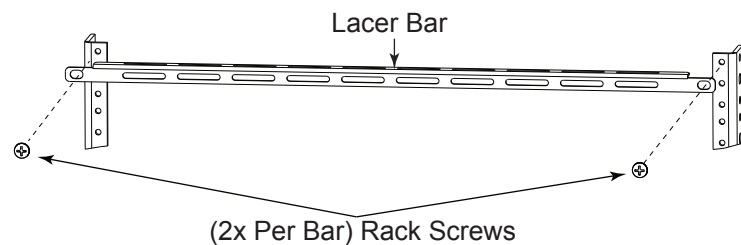
**CAUTION TIPPING HAZARD:** If your SRSR12 does not include anti-tip feet, do not install the rail system and please contact Middle Atlantic Products Customer Support.

**ATTENTION RISQUE DE BASCULEMENT:** Si votre SRSR12 ne comprend pas de pieds antibasculement, n'installez pas le système de rail et contactez le support client de Middle Atlantic Products.



## INSTALLATION

1. Install both cable management supports to SRSR12 base using a 5/16" - 18 flange nut and (2x) #10-32 x 1/2" hex head screws per side. **(FIGURE C)**
2. Use the provided #10-32 rack screws to install lacer bars to cable management supports with the flat side facing up and edge on outside of supports as shown. **(FIGURE D)**

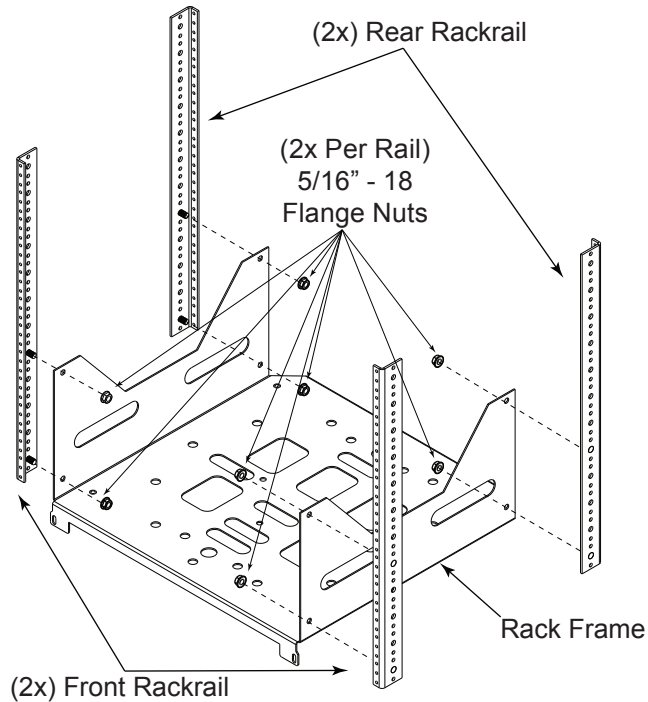




## INSTALLATION (CONTINUED)

3. Refer to the rackrail labels for proper orientation and install front and rear rackrail pairs to the rack frame using (2x) 5/16" - 18 flange nuts per rail. **(FIGURE E)**

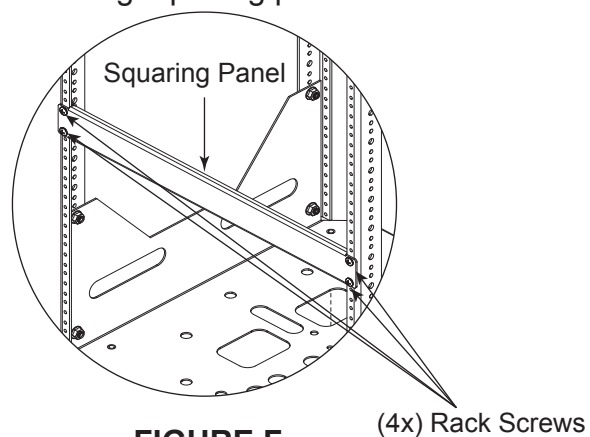
**NOTE:** Hand-tighten at this point to allow for adjustments.



**FIGURE E**

4. Install squaring panels 1/3 of the way down from top of front and rear rackrails using (4x) #10-32 rack screws per panel. **(FIGURE F)**

**NOTE:** Load equipment before removing squaring panels.

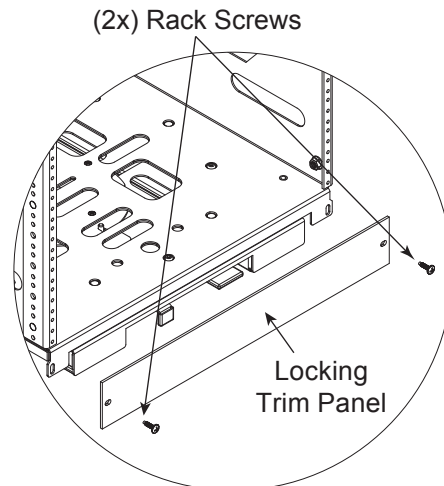


**FIGURE F**

5. Fully tighten front and rear rackrails to rack frame.

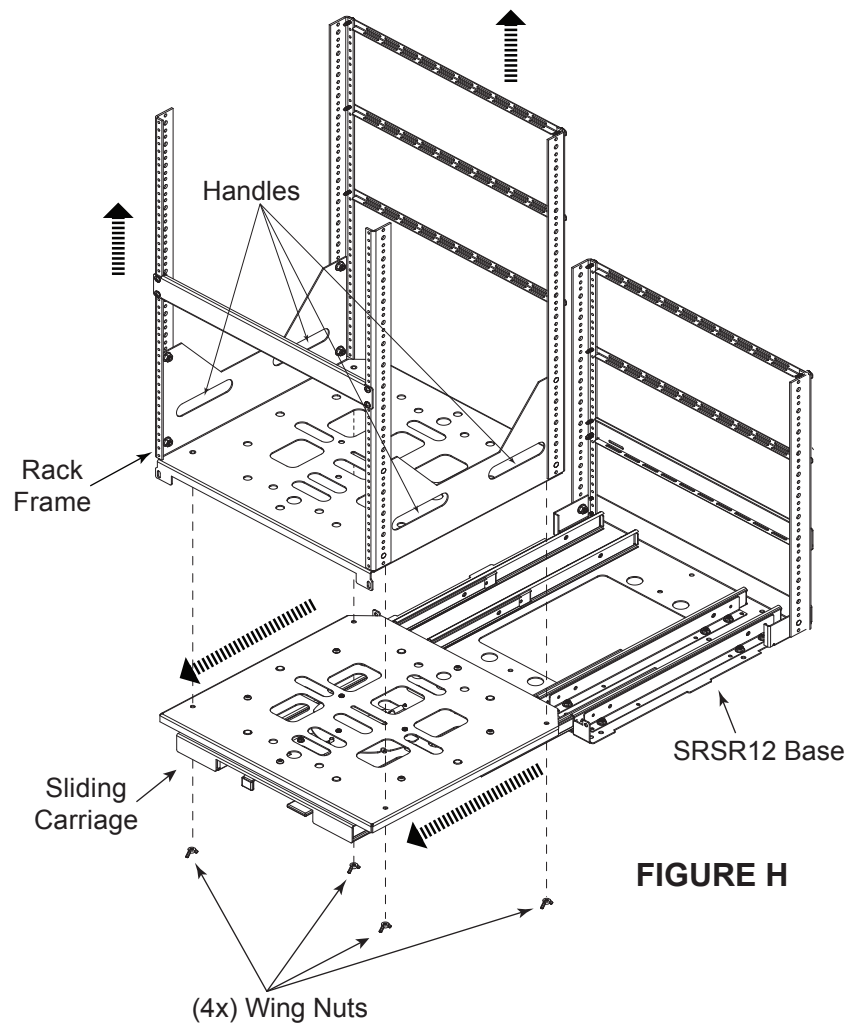
## INSTALLATION (CONTINUED)

6. Remove (2x) #10-32 rack screws securing locking trim panel to SRSR12 rack frame. (FIGURE G)



**FIGURE G**

7. Extend the sliding carriage on the SRSR12 base. (FIGURE H)



**FIGURE H**

8. Remove (4x) wing nuts beneath the sliding carriage to release the rack frame.

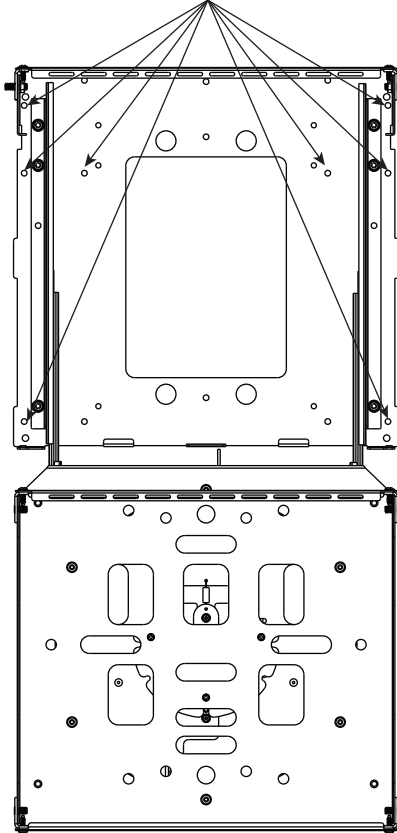
9. Lift the rack frame off sliding carriage using the handles.

## INSTALLATION (CONTINUED)

10. With sliding carriage extended, position the SRSR12 base inside the credenza for mounting. (FIGURE J)
11. Align SRSR12 base mounting holes with credenza mounting holes and secure the SRSR12 base to the credenza using (8x) ¼" - 20 machine screws and (8x) ¼" - 20 flange nuts.

**CAUTION:** Failure to install all required hardware may result in damage to the equipment and possible injury to the user.  
**ATTENTION:** Ne pas installer tout le matériel requis peut endommager l'équipement et causer des blessures à l'utilisateur.

(8x) SRSR12 Base Mounting Holes



Credenza Mounting Holes

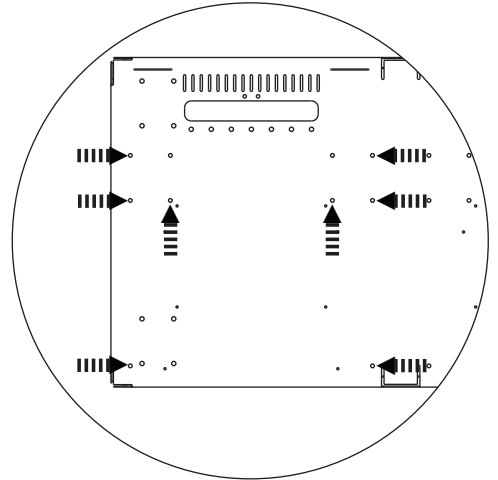
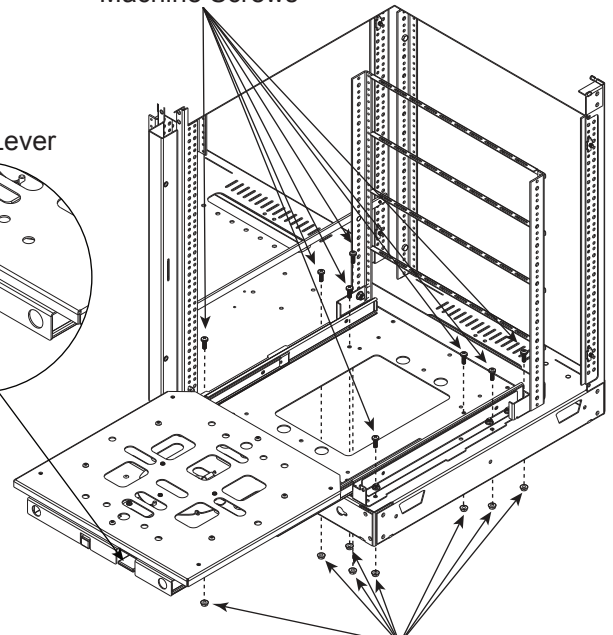
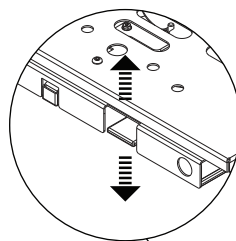


FIGURE J



(8x) ¼" - 20  
Machine Screws

Lockout Lever



12. Place rack frame on sliding carriage using provided handles. (FIGURE H)

**NOTE:** Mounting studs on underside of rack frame must be inserted into mounting holes in sliding carriage.

13. Reinstall the rack frame to the sliding carriage using four (4) wing nuts. (FIGURE H)
14. Depress the lockout lever on the front of the sliding carriage and push the rack frame into the credenza. (FIGURE J)

(8x) ¼" - 20  
Flange Nuts

## ROTATING THE RACK FRAME ON THE SLIDING CARRIAGE

- Rotate the rack frame on the sliding carriage by pulling the rotation tab as shown. (FIGURE K).

### NOTE:

- The rack frame conveniently locks in the 60° and 90° positions for servicing.
- The the 0° position locks for closure.

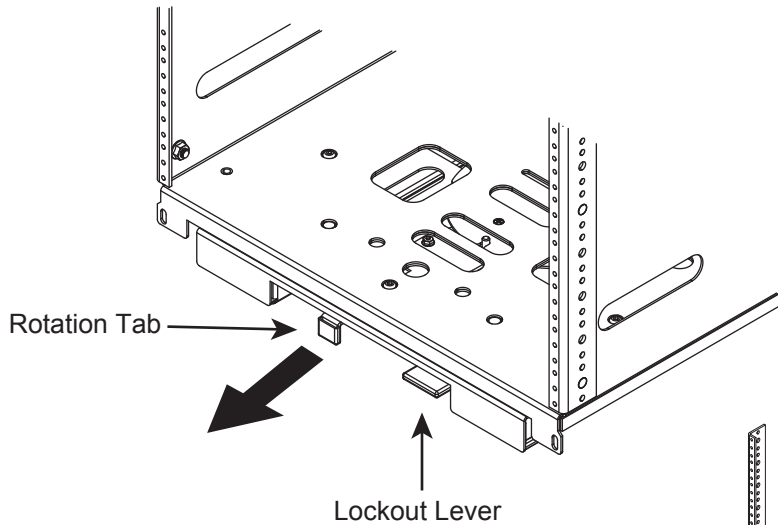
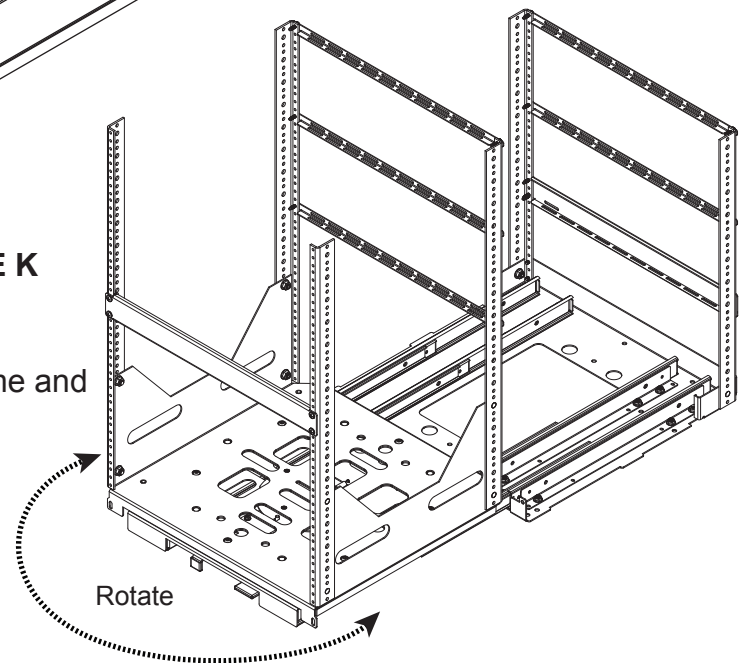


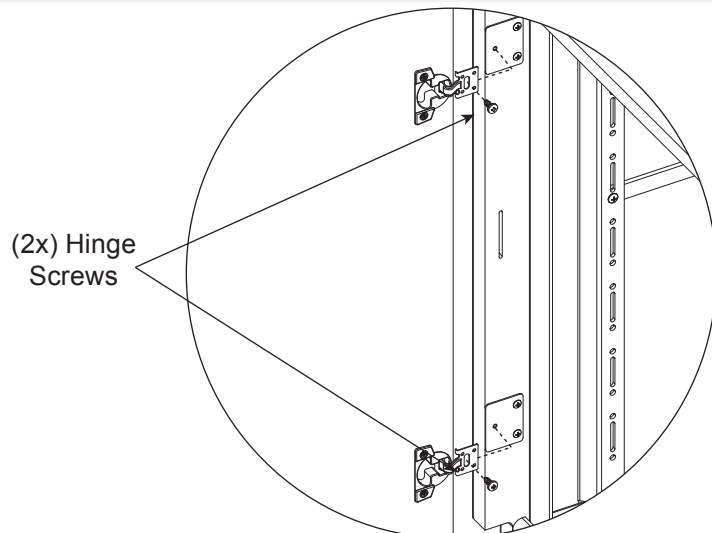
FIGURE K

**NOTE:** When opening and extending the rack frame and carriage, the credenza door for that bay must be removed to accommodate the rotation of the rack frame. Refer to the following topic or the C5-D Deep Credenza Rack assembly instructions (I-00565) at [www.middleatlantic.com](http://www.middleatlantic.com) for door removal information.



## INSTALLING OR REMOVING THE C5-D DOOR

- Remove hinge screw from each hinge to remove door as shown. (FIGURE L)

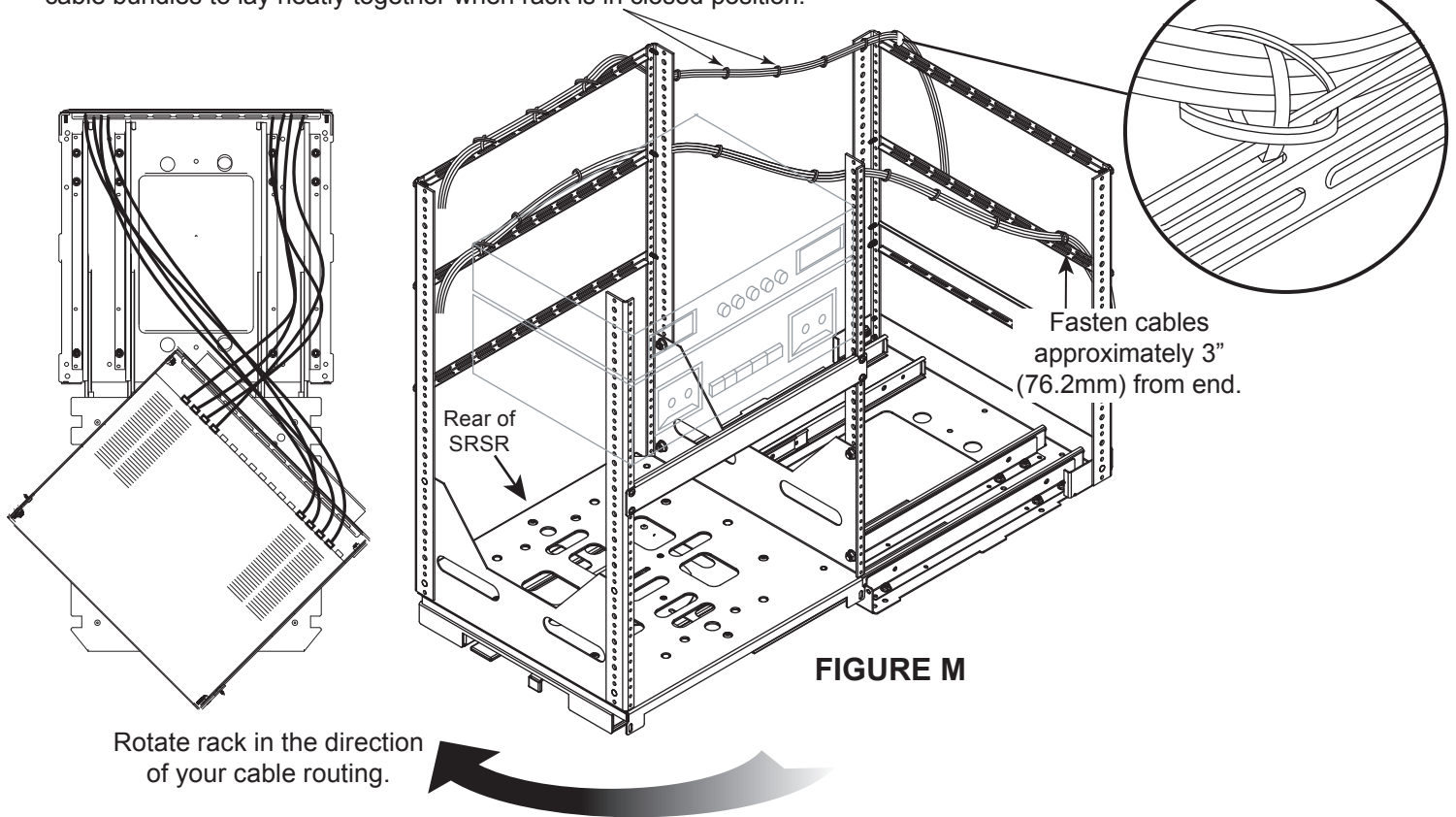


## CABLE MANAGEMENT TIPS

- Route cables in the direction of the rack rotation as shown. (FIGURE M)
- Select one side of rack for signal cables, and the opposite side for power cables.
- Lace cables as shown, ensuring cables are fairly taut. This ensures that the service loop will be the correct length and not be pinched when closing the rack.

Tie cable bundles every 6" (152.4mm) to 8" (203.2mm). This allows the cable bundles to lay neatly together when rack is in closed position.

Fasten cables using wire ties as shown.  
**TIP:** Leave the wire ties slightly loose.



## WARRANTY

For warranty information, refer to <http://www.middleatlantic.com/company/about-us.aspx#warranty>

### Corporate Headquarters

Voice: 973-839-1011 - Fax: 973-839-1976 - International Voice: +1 973-839-8821 -  
Fax: +1 973-839-4982 - [www.middleatlantic.com](http://www.middleatlantic.com) - [info@middleatlantic.com](mailto:info@middleatlantic.com)

### Middle Atlantic Canada

Voice: 613-836-2501 - Fax: 613-836-2690 - [ca.middleatlantic.com](http://ca.middleatlantic.com) -  
[customerservicecanada@middleatlantic.ca](mailto:customerservicecanada@middleatlantic.ca)

### Middle Atlantic EMEA Technical Support

Voice: +31 (0) 495 726002 - [av.emea.middleatlantic.support@legrand.com](mailto:av.emea.middleatlantic.support@legrand.com)

### Factory Distribution

United States: New Jersey, California, Illinois - Canada: Ontario - The Netherlands: Weert

**At Middle Atlantic Products we are always listening. Your comments are welcome.**

**Middle Atlantic Products is an ISO 9001 and ISO 14001 Registered Company.**



---

**Middle Atlantic Products**

what great systems are built on™

[middleatlantic.com](http://middleatlantic.com) ■ 800.266.7225