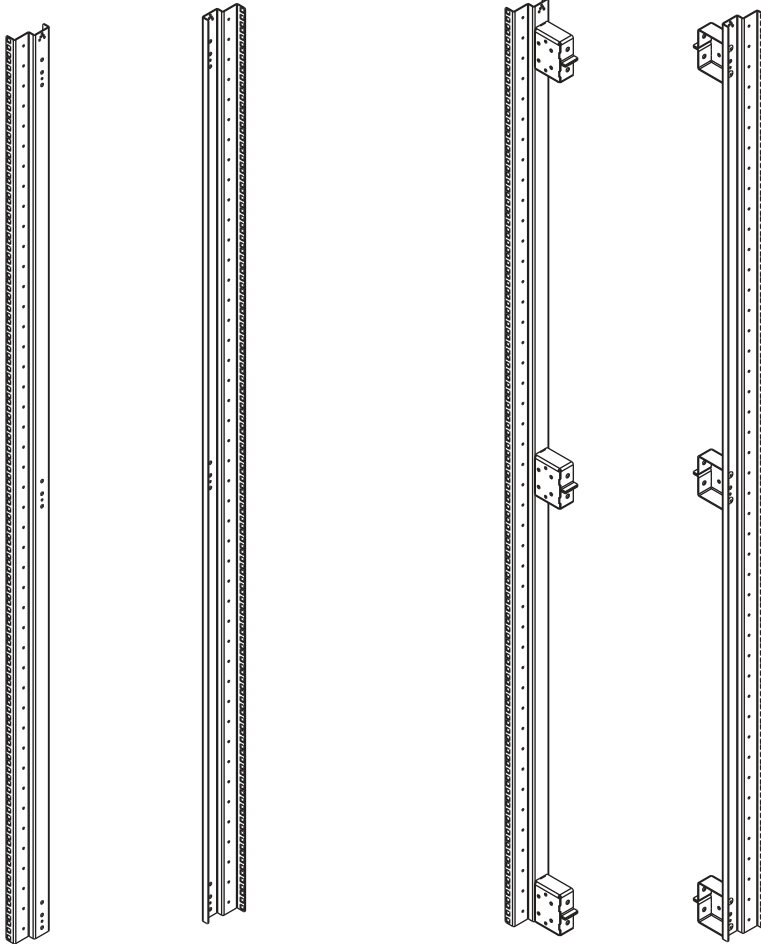


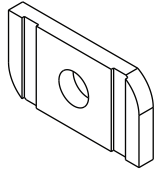
INSTALLATION INSTRUCTIONS
SNE SERIES
RACKRAIL OPTION



THANK YOU

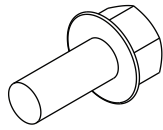
Thank you for purchasing an SNE Series RackRail option. Please read these instructions thoroughly before installing or assembling this product.

SUPPLIED COMPONENTS AND HARDWARE



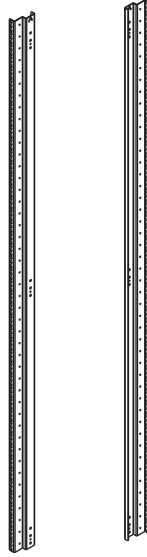
5/16 Channel Nut
(8x for 24" RU
12x for 42" and 45" RU)

A



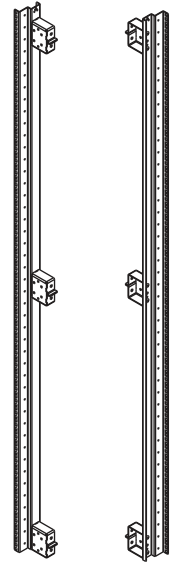
5/16 Hex Bolt
(8x for 24" RU
12x for 42" and 45" RU)

B



RackRail Pair
(Without Brackets
for 24" Wide SNE)

C



RackRail Pair
(With Brackets for 27"
and 30" Wide SNE)

D

REQUIRED TOOL

- 1/2" Wrench

INSTALLING CHANNEL NUTS

1. Install channel nut (A) into channel on unistrut. (**FIGURE A**)

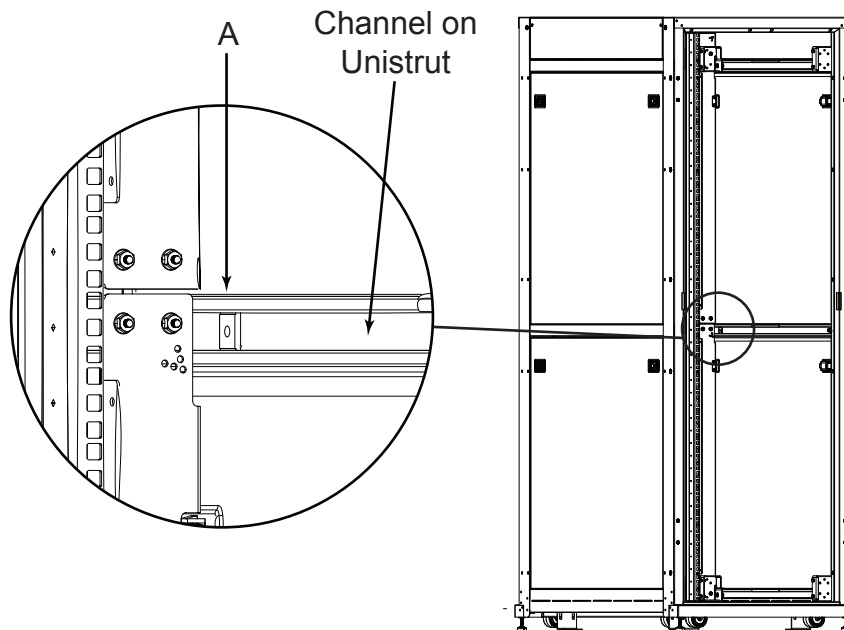


FIGURE A

FOR 24" WIDE SNE INSTALLATION ONLY

1. Use a 1/2" wrench and a 5/16 hex bolt (B) to install a rackrail (C) to the channel nut (A) in your desired location on the unistrut. (**FIGURE B**)

NOTE: Unistruts have depth indicators to assist in positioning the rackrail.

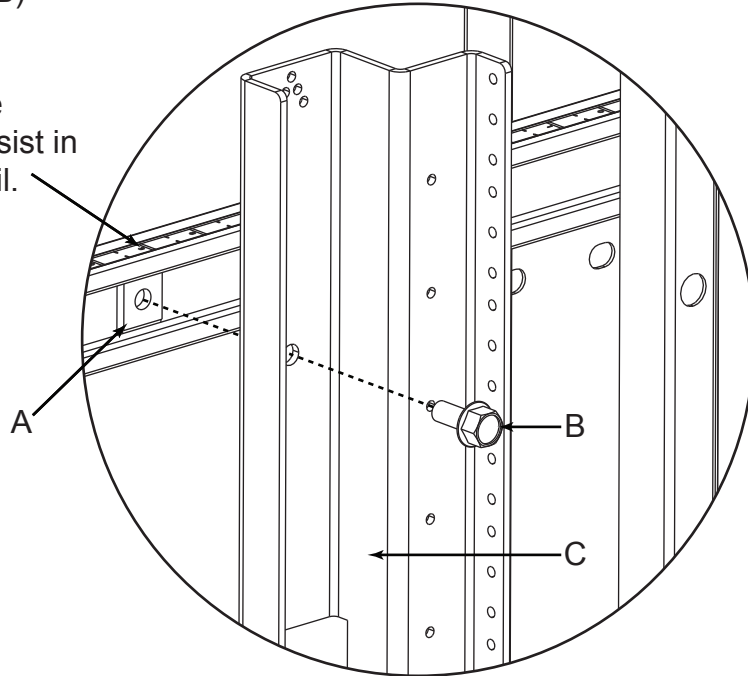


FIGURE B

FOR 27" AND 30" WIDE SNE INSTALLATIONS ONLY

1. Use a 1/2" wrench and a 5/16 hex bolt (B) to install a rackrail (D) to the channel nut (A) in your desired location on the unistrut. (**FIGURE C**)

NOTE: Unistruts have depth indicators to assist in positioning the rackrail.

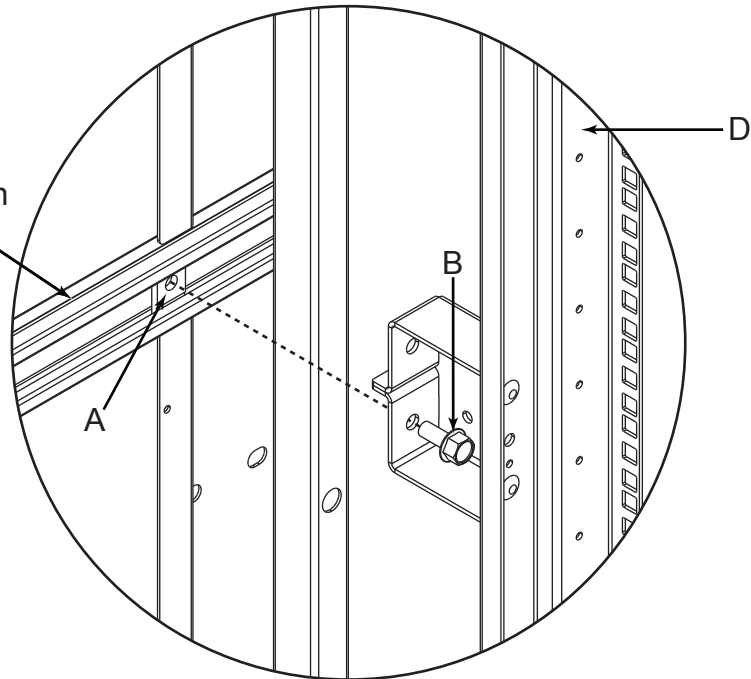


FIGURE C

WARRANTY

For warranty information, refer to www.middleatlantic.com/terms.

Corporate Headquarters

Corporate Voice: 973-839-1011 - Fax: 973-839-1976 / International Voice: +1 973-839-8821

Fax: +1 973-839-4982

www.middleatlantic.com - info@middleatlantic.com

Middle Atlantic Canada

Voice: 613-836-2501 - Fax: 613-836-2690 / ca.middleatlantic.com -

customerservicecanada@middleatlantic.ca

Factory Distribution

USA: NJ - CA - IL Canada: ON - BC

At Middle Atlantic Products we are always listening. Your comments are welcome.

Middle Atlantic Products is an ISO 9001 and ISO 14001 Registered Company.



Middle Atlantic Products

what great systems are built on™

middleatlantic.com ■ 800.266.7225