



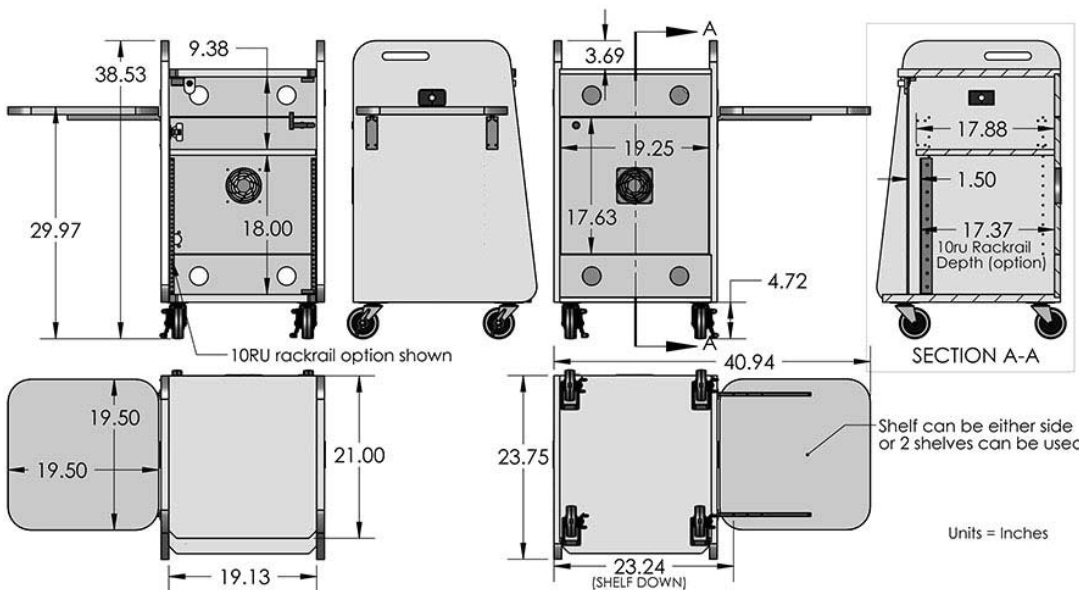
The multimedia stand model **103420** is an excellent choice in a roll-about cart for your smaller peripherals. This multi-purpose cart is great for items such as computer monitors, LCD projectors, overhead projectors and laptops. Extra charge for custom cutouts for electronics or other items specified by the customer.

Standard Features

- Available in black paint finish
- Rear door for easy access to equipment stored inside
- Adjustable interior shelf
- Four rear panel cable access ports
- Tinted acrylic door
- Flip up shelf (Can be moved to either side)
- 4" heavy duty casters (2 locking)
- Ships assembled

Options

- **MM1232** Monitor and camera mount (12" - 32")
- **PB** Six outlet power bar with 10 ft. cord
- **FAN** 53 CFM 120mm AC cooling fan with 6 ft cord
- **CAM** Camera mount
- **C900S** 15" - 24" Adjustable monitor arm
- **PLM1022** onitor mount
- **9107** Lacing bar (19" long)
- **RR10** 10U space rack rail kit (10-32 screws)
- **SH-FL** Additional flip up shelf
- **6" CASTER** 6" Metal caster with gray non-marking tire (2 locking)
- **Custom Cutout** Cutouts for electronics or other items specified by the customer



Specifications

Model: 103420
Width: 21"
Depth: 24"
Height: 38"

Finishes



The information contained in this drawing is the sole property of Audio Visual Furniture International. Any reproduction in part or as a whole without the written permission of Audio Visual Furniture International is prohibited. We can build or modify stock configurations to suit customer specifications. Please contact us to discuss how this service can help meet your needs. Some quantity restrictions may apply. Specification subject to change without notice. Computers, cameras, monitors, etc. are shown to illustrate product usage and are not included unless otherwise noted.