

FULL SIZE BACK BOX  
WITH SUPER POCKET BRACKETS

BRK1028BBX



MATES WITH  
HORIZONTAL  
STYLE POCKET



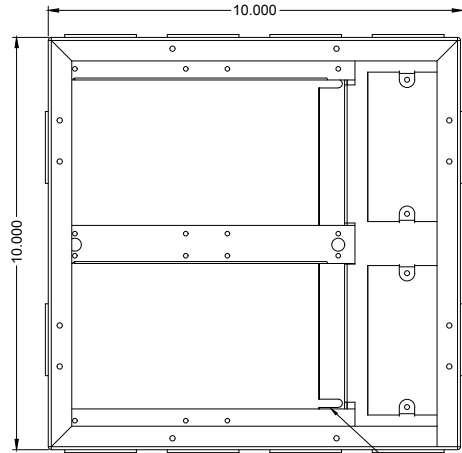
As part of the Super Pocket System



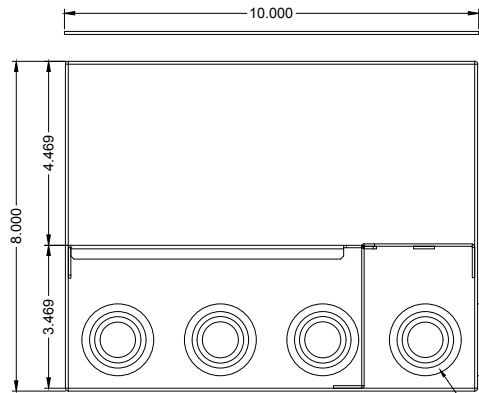
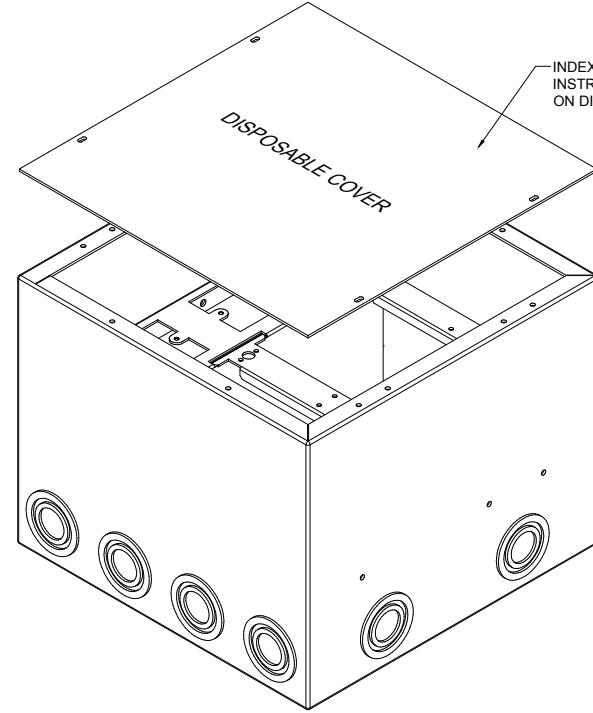
PROUDLY MADE  
IN THE U.S.A.



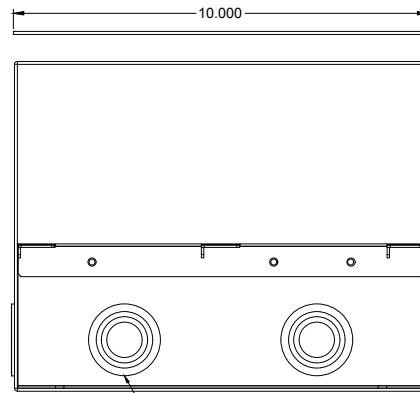
**ACE BACKSTAGE CO**  
Stage Pocket Systems **Connectivity**  
www.acebackstage.com



8" DEEP SUPER POCKET BRACKET KIT (BRK1028)  
16ga GALVANNEALED STEEL



1/2", 3/4", 1", AND 1-1/4" COMBINATION  
KNOCKOUTS (4) PLACES TYPICAL ON  
OPPOSING SIDES



1/2", 3/4", 1", AND 1-1/4" COMBINATION  
KNOCKOUTS (2) PLACES TYPICAL ON  
ONE SIDE ONLY

REVISION: 11/2019

FINISH :

- Electro Deposited Clear Zinc  
ASTM Certified

COMPATIBLE BEZELS/LIDS:

Any Full Size Bezel/Lid:  
BZ132/BZ232/BZ332

DESCRIPTION:

Rough in Box with Super Pocket Brackets. For use when installing Super Pockets. Extra depth provides addition space behind and in front of panels. Made from 14ga CRS.

REV  
1  
SHEET  
1 OF 1