



## DATA SHEET

### Dual 4K HDMI® HDBaseT + USB-C®, 3.5mm, and USB-B to A over Cat Extender Wall Plate Transmitter to Audio De-Embedding Box Receiver - 4K 60Hz

Ideal solution where USB must be extended alongside HDMI video and audio to interactive whiteboards and displays in conference rooms, classrooms, lecture halls, and many other installation needs that are far beyond the length limitations of standard HDMI cabling.

#### OVERVIEW

The Dual 4K HDMI® HDBaseT + USB-C®, 3.5mm, and USB-B to A over Cat Extender Wall Plate Transmitter to Audio De-Embedding Box Receiver - 4K 60Hz allows HDMI or USB-C audio/video sources to be extended up to 130ft to a 4K display using a single Cat6a Ethernet cable. This is an ideal solution where USB must be extended alongside HDMI video and audio to interactive whiteboards and displays in conference rooms, classrooms, lecture halls, and many other installation needs that are far beyond the length limitations of standard HDMI cabling.

This HDMI HDBaseT receiver is HDCP 2.2 compliant, making sure that the connection between the source and display is secure. Automatic switching is supported, connecting to the last active source. Additional analog audio output pass-through allows for audio distribution. High-speed USB 2.0 pass through is supported over HDBaseT up to 230ft for KVM control of devices such as USB cameras, keyboards, mice, etc. With PoH (Power Over HDBaseT) support, the receiver can send power to the transmitter, so no additional power adapter is required, allowing for greater flexibility in installations. Advanced users can control the transmitter via the RS232 port on the receiver.

Note: Ensure a solid reliable connection between the 4K HDMI HDBaseT Extender and critical equipment. We suggest using HDMI Cables with gripping connectors that provide greater port retention than standard HDMI connectors.

Note: Extend 4K up to 115 feet and 1080p up to 230 feet using a Cat5e or Cat6 cable. For longer 4K distances, extend 4K up to 130 feet using a Cat6a cable. Stranded Cat5e/6/6a patch cables may be used for HDMI extension applications up to 230ft. Shielded, solid conductor Cat6 or HDBaseT Certified Cat6a network cabling is recommended for applications where the category cable must be coiled, is run near other high frequency signaling cables, or in high EMI/RFI environments. For best performance use an HDBaseT Certified Cat6a Patch Cable.

#### ITEM DESCRIPTION

ITEM	DESCRIPTION
C2G31020	Dual 4K HDMI® HDBaseT + USB-C®, 3.5mm, and USB-B to A over Cat Extender Wall Plate Transmitter to Audio De-Embedding Box Receiver - 4K 60Hz

## FEATURES

- Extend 4K at 60Hz (4:2:0) up to 130ft and 1080p at 60Hz up to 230ft with Cat 6a cable
- Extend 4K at 60Hz (4:2:0) up to 115ft and 1080p at 60Hz up to 200ft with Cat 5e/6 cable
- HDCP 2.2 compliant, to create a secure connection between the source and display
- Supports automatic switching, following the last-in-first-out rule
- Additional analog audio input pass-through allows for audio distribution to the receiver side
- Supports USB 2.0 pass through over HDBT up to 230ft
- The transmitter supports firmware upgrade and device control via the Micro USB port
- Analog audio output pass-through and analog audio de-embedding of HDMI output allows for audio distribution
- One-way Power over HDBaseT (PoH), so that the transmitter can be powered by receiver

## RECEIVER SIGNAL SPECIFICATIONS

- Input Connectors: 1x HDBT In, 1x RS232, 1x Power In
- Input Video Signal: HDBT 2.0
- Output Connectors: 1x HDMI Out, 2x Audio Out, 4x USB Out
- Output Video Signal: HDMI (4096 x 2160@60Hz 4:2:0 8 Bit Only), HDCP 2.2
- Audio Format: HDMI Out: Supports multi-channel audio formats, including PCM 2.0/5.1/7.1, Dolby TrueHD, Dolby Atmos, DTS-HD Master Audio and DTS:X

## TRANSMITTER SIGNAL SPECIFICATIONS

- Video Input: 2 x HDMI; 1 x USB-C
- Input Video Signal: HDMI (4K@60Hz YUV 4:2:0, HDCP 2.2), USB-C DP Alt mode
- Video Output: 1 x HDBT OUT (RJ-45)
- Output Video Signal: HDBT 2.0
- Audio Input: 2 x HDMI; 1 x USB-C; 1 x Audio In (Unbalanced stereo 3.5mm)
- Audio Format: HDMI/USB-C: Supports multi-channel audio formats, including PCM 2.0/5.1/7.1, Dolby TrueHD, Dolby Atmos, DTS-HD Master Audio and DTS:X
- Audio In: Stereo
- USB Pass-through: USB 2.0
- USB Port Type: USB-B
- Maximum Pixel Clock: 340Mhz
- Maximum Data Rate: 10.2 Gbps
- Control Method: Auto switching, front panel buttons, API (Application Program Interface) commands

- Port Connections: (1) USB-B Female (for data), (1) 3.5mm Female, (1) USB-C Female (USB 3.1 Gen2 for video), (2) HDMI Female, (1) RJ-45 Female, (1) USB Micro-B Female
- ESD Protection: Human-body Model:  $\pm 8kV$  (Air-gap discharge) /  $\pm 4kV$  (Contact discharge)

## SIGNAL SPECIFICATIONS

- Chipset: VS210

## TRANSMISSION DISTANCE

- Cat 6a/7 cable, extends 4Kx2K@60Hz (4:2:0) signal up to 40m/130ft and 1080P@60Hz signal up to 70m/230ft
- Cat 5e cable, extends 4Kx2K@60Hz (4:2:0) signal up to 35m/115ft and 1080P@60Hz signal up to 60m/200ft

## ELECTRICAL SPECIFICATIONS

- Power Supply: PoH, powered by the receiver; or local power supply through the 12V phoenix connector
- Power Consumption (Max): 7.8W
- Power Supply: DC 12V 2A
- Power Consumption (Max): 8W

## PHYSICAL SPECIFICATIONS

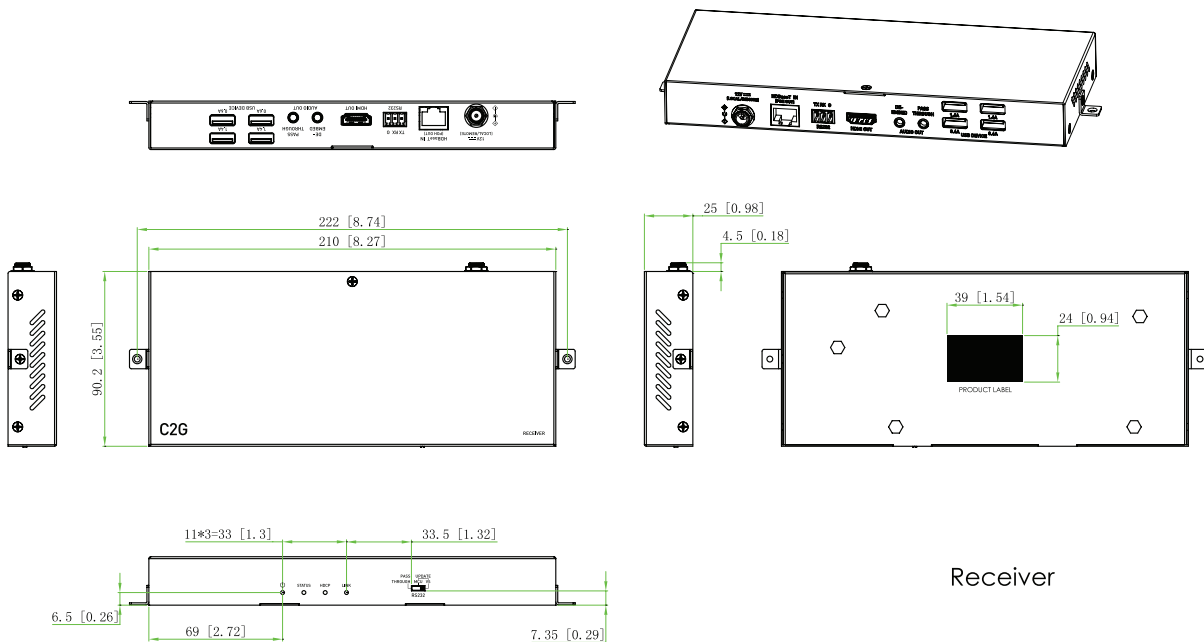
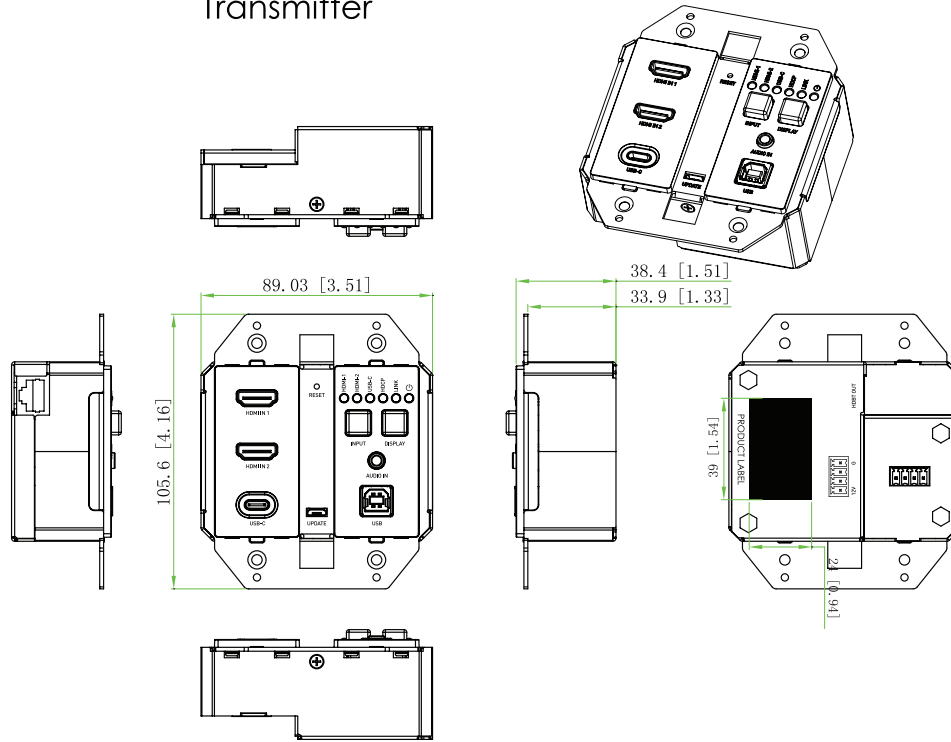
- Operating Temperature: 0°C to 45°C; 10 to 90% RH (Non-Condensing)
- Storage Temperature: -20°C to 70°C; 10 to 90% RH (Non-Condensing)

## PHYSICAL CHARACTERISTICS

- **Receiver:**
  - Device Dimension (W x H x D): 210mm x 25mm x 90.2mm / 8.27" x 0.98" x 3.55"
  - Product Weight: 0.46kg/1.01lbs
- **Transmitter**
  - Device Dimension (W x H x D): 89mm x 38.4mm x 105.6mm / 3.5" x 1.51" x 4.16"
  - Product Weight: 0.3kg/0.66lb



## Transmitter



## Receiver



LEGRAND | AV COMMERCIAL BRANDS

C2G | Chief | Da-Lite | Luxul | Middle Atlantic | Vaddio | Wiremold

### SIMPLIFIED CONNECTIVITY

USA 800.506.9607 | c2g.com | legrandav.com | customer-service@c2g.com

EMEA +31 495 580 840 | c2g.com/uk | legrandav.com | c2g.emea@av.legrand.com

©2023 Legrand AV Inc. 230149 Rev B 3/23 C2G is a registered trademark of Legrand AV Inc. All other brand names or marks are used for identification purposes and are trademarks of their respective owners. All patents are protected under existing designations. Other patents pending.