

C3 SERIES

SLIM AV CREDENZA

ADA compliant wall mount credenza optimized for smaller AV Systems with integrated display mount capabilities.



Shown with optional C3 Dual Display Mount system (C3-32-LD2U)

FEATURES

- Frame to Furniture™ design complements an integrator's installation workflow
- Fully assembled frame ships first, with furniture grade woodkit shipping separately to allow for easier installation and integration of equipment.
- Flexible equipment mounting storage options from vertical slide out racks and stationary rack units, removable Lever Lock™ small device mounting system and shelving options
- Wall Mounted ADA compliant design
- Available in 1, 2, 3 and 4 bay models in 32" height
- Available in Moderno style
- Standard finishes available: High Pressure Laminate
- Single and Dual Display Mount Option co-developed with Chief. It uses the Fusion™ Modular Extrusion and is compatible with all accessories for Vaddio camera mounting and more.



Furniture grade woodkit shipped separately

SPECIFICATIONS

C3 Series Credenza woodkit shall be Middle Atlantic Products model # C3K_D_____ (refer to chart). C3 Series Credenza woodkit shall be compatible with a separate C3 Series Credenza steel frame, model # C3-FF___ (refer to chart). C3 Series Credenza steel frame ships in advance of the woodkit. C3 Series Credenza woodkit and steel frame shall be available in 1, 2, 3 or 4 bay configurations. Overall dimensions of C3 Series Credenza shall be ___" H x ___W" x 10" D (refer to chart). C3 Series Credenza steel frame shall be finished in a durable black powder coat. C3 Series Credenza steel frame total weight capacity shall be 100lbs. per bay with 75 lbs. mounted inside, 25 lbs. on top. C3 Series Credenza steel frame shall be wall mounted with a minimum 1" distance from the floor. C3 Series Credenza woodkit shall be available in Moderno style. Front doors shall be solid and provide sufficient gaps for ample air exhaust. C3 Series Credenza steel frame shall include qty ___ (refer to chart) Lever Lock™ plates, model # LL-VP2110 for small device mounting. Front doors shall include magnetic catch and keylock options on configurable C3 Series Credenza woodkits, and as standard on preconfigured C3 Series Credenza woodkits. C3 Series Credenza woodkit shall come standard with a color-coordinated steel panel with laser knockouts, model # C3-HPNL-____-___ (refer to chart). Laser knockouts shall accommodate C3 Series Credenza Display Mounts uprights to allow for attachment to C3 Series Credenza steel frame, model # C3-___LD_U (refer to chart). C3 Series Credenza wood kit top, bottom and sides of surround cabinet shall be constructed of 1" thick triple refined MDF or Particle Board, doors shall be constructed of ¾" thick triple refined MDF or particle board. C3 Series Credenza steel frame shall have 4 rackspace stationary (model # C3TECHKIT4-ST) and slide out (model # C3TECHKIT4-SO) rack options, both of which include (1) 7 outlet, 15 Amp power strip with 10' power cord, 50CFM DC thermostatically controlled exhaust fan kit powered on at 87°F and turn off at 85°F, maximum one per bay and have a weight capacity of 75 lbs. C3 Series Credenza shall be GREENGUARD Gold Certified. C3 Series Credenza shall be RoHS 3 compliant. Credenza shall be manufactured by an ISO 9001 and ISO 14001 registered company. Credenza frame shall be warrantied to be free from defects in material or workmanship under normal use and conditions for the lifetime of the rack, fans shall be warrantied for a period of three years and wood panels shall be warrantied for a period of 7 years.

Customizable specification clips available at middleatlantic.com



PRODUCT CERTIFIED FOR
LOW CHEMICAL EMISSIONS
UL.COM/GG
UL 2818

WHAT GREAT SYSTEMS ARE BUILT ON™ | legrandav.com

USA P 800.266.7225 E av.middleatlantic.support@legrand.com
CANADA P 888.766.9770 E av.middleatlantic.support@legrand.com

©2020 Legrand AV Inc. 200628 Rev A 9/20 Middle Atlantic is a registered trademark of Legrand AV Inc. All other brand names or marks are used for identification purposes and are trademarks of their respective owners. All patents are protected under existing designations. Other patents pending.

OPTIONS

- 4 Rackspace Slide Out rack option shall be model # C3TECHKIT4-SO, have a weight capacity of 75lbs. and a maximum useable depth of 25- ¾" (32" models.) and include 50CFM thermostatically controlled DC fan kit and 7 outlet, 15 amp power strip with 10' power cord
- 4 Rackspace vertical stationary rack option shall be model # C3TECHKIT4-ST, have a weight capacity of 75lbs. and a maximum useable depth of 25- ¾" (32" models., and include 50CFM thermostatically controlled DC fan kit and 7 outlet 15 amp power strip with 10' power cord.
- C3 Dual Display Mount option shall be model #C3-32-LD2U, have a weight capacity of 300lbs and support displays with a VESA mounting pattern compatibility of 100x100 - 800x400. Includes paintable covers for vertical uprights. Compatible with 3 and 4 Bay 32"H C3 Credenza frames and woodkits.
- C3 Single Display Mount option shall be model # C3-32-LD1U, have a weight capacity of 150 lbs. and support displays with a VESA mounting pattern compatibility of 100x100 - 800x400. Includes paintable covers for vertical uprights. Compatible with 1, 2, 3 and 4 Bay 32"H C3 Credenza frames and woodkits.
- Shelf kit shall include 2 qty ¾" thick shelves finished in black melamine. Shelves mount in 2-1/2" increments.
- 50CFM thermostatically controlled DC fan kit shall be powered on at 87°F and turn off at 85°F, model #C3-FANKIT

A brand of **legrand**

COMMERCIAL AV BRANDS
C2G | Chief | Da-Lite | Luxul | Middle Atlantic | Vaddio | Wiremold

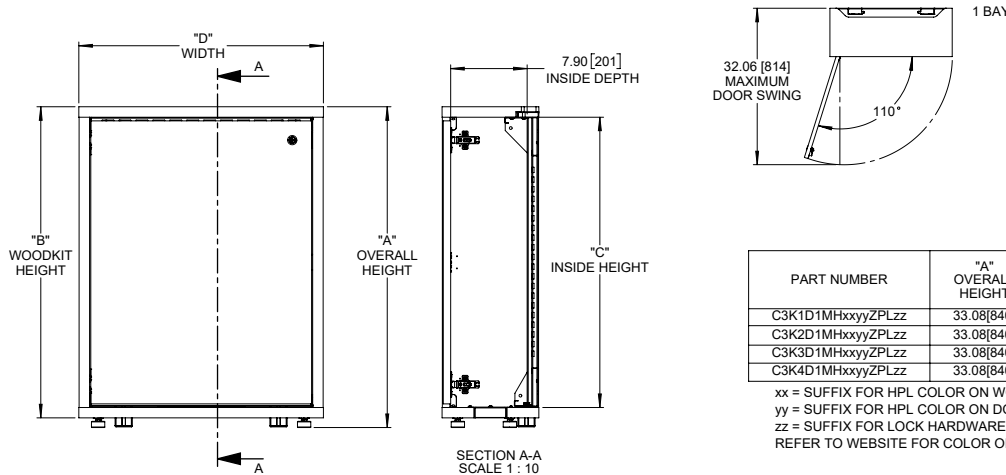
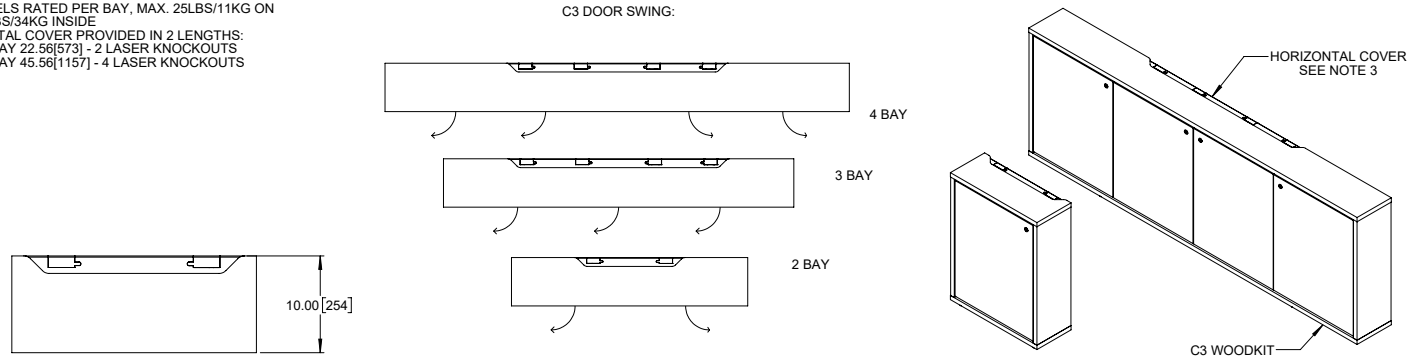


C3 SERIES

BASIC DIMENSIONS

- NOTE(S):
1. ALL DIMENSIONS SHOWN IN FORMAT: INCHES (MILLIMETERS)
 2. RATED WEIGHT CAPACITY AS FOLLOWS: ALL MODELS RATED PER BAY, MAX. 25LBS/11KG ON TOP, 75LBS/34KG INSIDE
 3. HORIZONTAL COVER PROVIDED IN 2 LENGTHS: 1 AND 2 BAY 22.56[573] - 2 LASER KNOCKOUTS
3 AND 4 BAY 45.56[1157] - 4 LASER KNOCKOUTS

REV	DESCRIPTION	REV BY	REV DATE	APP'D BY	DATE APP
A	PRODUCTION RELEASE	#	###	JP	06/27/20



PART NUMBER	"A" OVERALL HEIGHT	"B" WOODKIT HEIGHT	"C" INSIDE HEIGHT	"D" WIDTH	NUMBER OF BAYS	RATED WEIGHT CAPACITY*
C3K1D1MHxxyZPLzz	33.08[840]	32.16[816]	30.00[762]	25.28[642]	1	100LBS/45KG
C3K2D1MHxxyZPLzz	33.08[840]	32.16[816]	30.00[762]	48.85[1241]	2	200LBS/91KG
C3K3D1MHxxyZPLzz	33.08[840]	32.16[816]	30.00[762]	72.41[1839]	3	300LBS/136KG
C3K4D1MHxxyZPLzz	33.08[840]	32.16[816]	30.00[762]	95.98[2438]	4	400LBS/181KG

xx = SUFFIX FOR HPL COLOR ON WOOD FRAME
 yy = SUFFIX FOR HPL COLOR ON DOORS;
 zz = SUFFIX FOR LOCK HARDWARE COLOR
 REFER TO WEBSITE FOR COLOR OPTIONS

WHAT GREAT SYSTEMS ARE BUILT ON™ | legrandav.com

USA P 800.266.7225 E av.middleatlantic.support@legrand.com
 CANADA P 888.766.9770 E av.middleatlantic.support@legrand.com

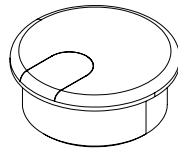
A brand of **legrand**



C3 SERIES

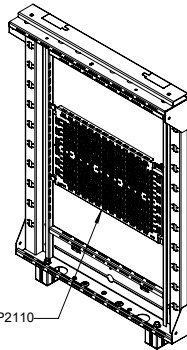
BASIC DIMENSIONS

- NOTE(S):
1. ALL DIMENSIONS SHOWN IN FORMAT: INCHES [MILLIMETERS]
 2. QTY. OF 2 GROMMETS INCLUDED WITH ALL WOOD KITS. LOCATIONS TO BE DETERMINED BY (IF NEEDED) AND DRILLED BY INSTALLER

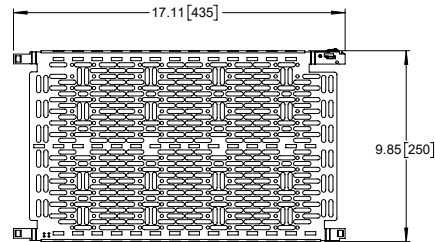
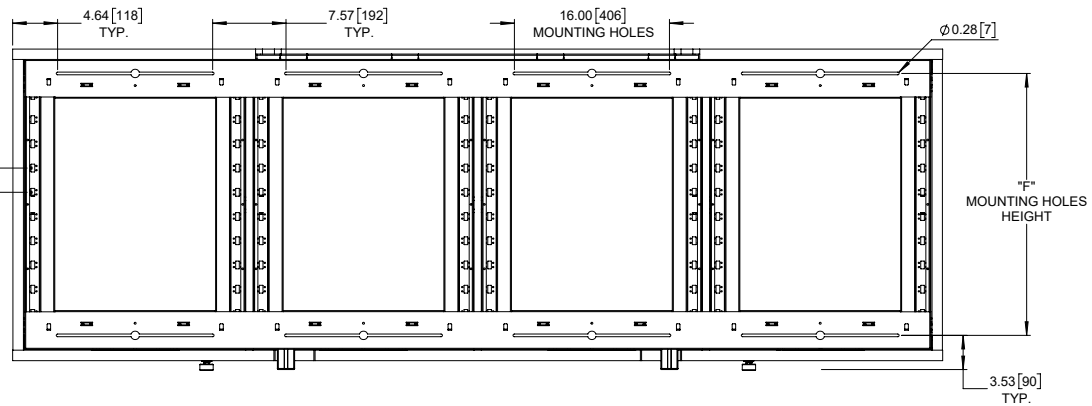
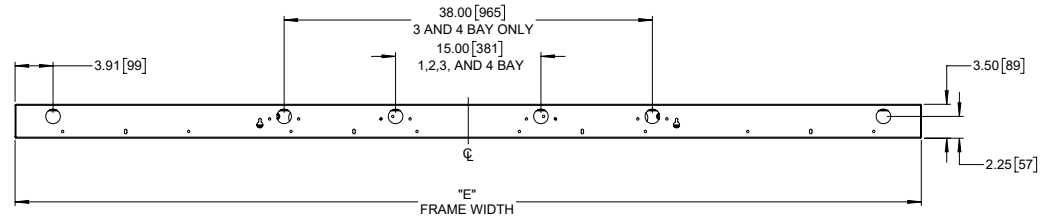


1 1/2" GROMMET
SCALE 1:1

2.50 [64]
OPTION MOUNTING INCREMENTS
32" HEIGHT - 10 MOUNTING LOCATIONS



LL-VP2110



MAP P/N - LL-VP2110
FRONT VIEW
SCALE 1/10

FRAME PART NUMBER	NUMBER OF BAYS	"E" FRAME WIDTH	"F" MOUNTING HOLES HEIGHT	NUMBER OF LL-VP2110
C3-FF32-1	1	22.82[579]	27.03[687]	1
C3-FF32-2	2	46.38[1178]	27.03[687]	1
C3-FF32-3	3	69.95[1776]	27.03[687]	2
C3-FF32-4	4	93.51[2375]	27.03[687]	2

WHAT GREAT SYSTEMS ARE BUILT ON™ | legrandav.com

USA P 800.266.7225 E av.middleatlantic.support@legrand.com
 CANADA P 888.766.9770 E av.middleatlantic.support@legrand.com

A brand of **legrand**

©2020 Legrand AV Inc. 200628 Rev A 9/20 Middle Atlantic is a registered trademark of Legrand AV Inc. All other brand names or marks are used for identification purposes and are trademarks of their respective owners. All patents are protected under existing designations. Other patents pending.

C3 SERIES

BASIC DIMENSIONS

NOTE(S):

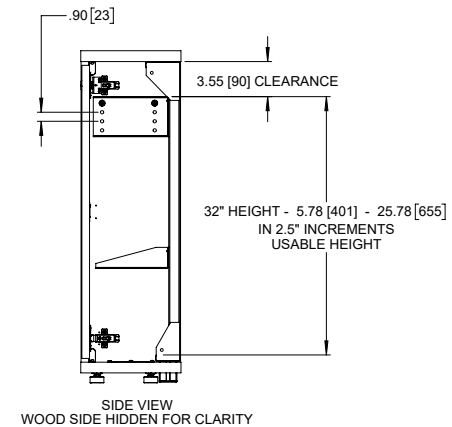
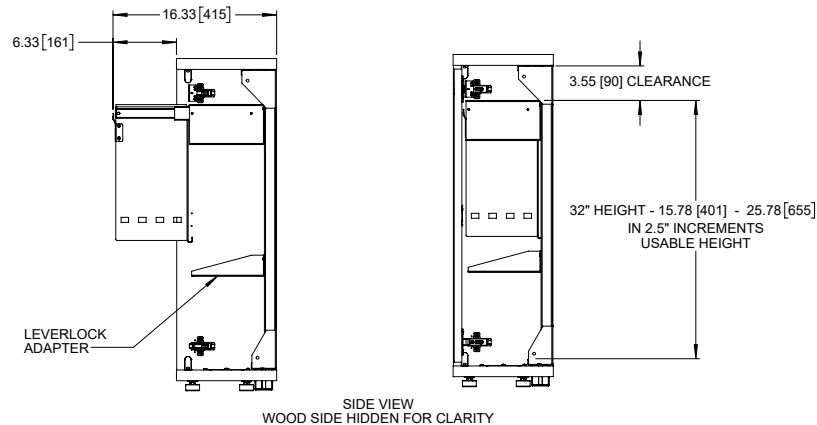
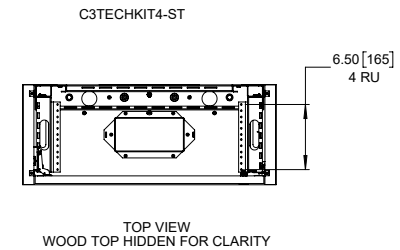
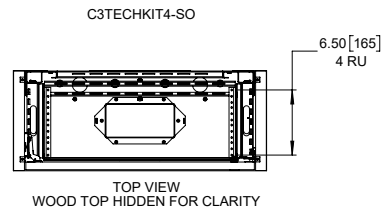
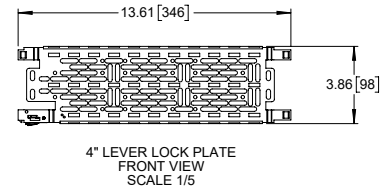
1. ALL DIMENSIONS SHOWN IN FORMAT:
INCHES [MILLIMETERS]

2. C3TECHKIT4-SO CONTENTS:

- SLIDE-OUT RACK
- 4" LEVER LOCK PLATE
- LEVER LOCK ADAPTER
- FAN KIT
- FAN SPECS:
 - 24 dBA PER ASSEMBLY
 - 50 CFM [1.42 m³/MIN] PER ASSEMBLY
 - TURN ON: 87F [30.5C]
 - TURN OFF: 85F [29.4C]
- POWER STRIP: PD-715SC-NS
- 7 OUTLETS
- 15A
- 10FT CORD

3. C3TECHKIT4-ST CONTENTS:

- 2X STATIONARY RACK ADAPTER
- 4" LEVER LOCK PLATE
- LEVER LOCK ADAPTER
- FAN KIT
- FAN SPECS:
 - 24 dBA PER ASSEMBLY
 - 50 CFM [1.42 m³/MIN] PER ASSEMBLY
 - TURN ON: 87F [30.5C]
 - TURN OFF: 85F [29.4C]
- POWER STRIP: PD-715SC-NS
- 7 OUTLETS
- 15A
- 10FT CORD



WHAT GREAT SYSTEMS ARE BUILT ON™ | legrandav.com

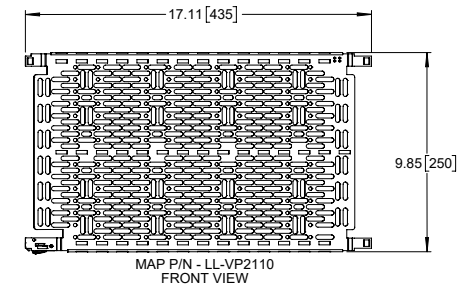
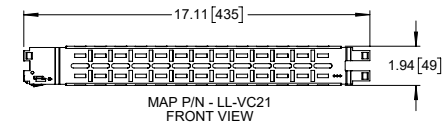
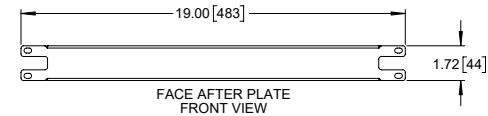
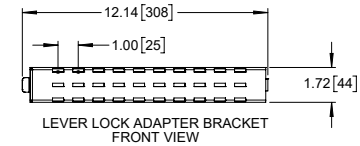
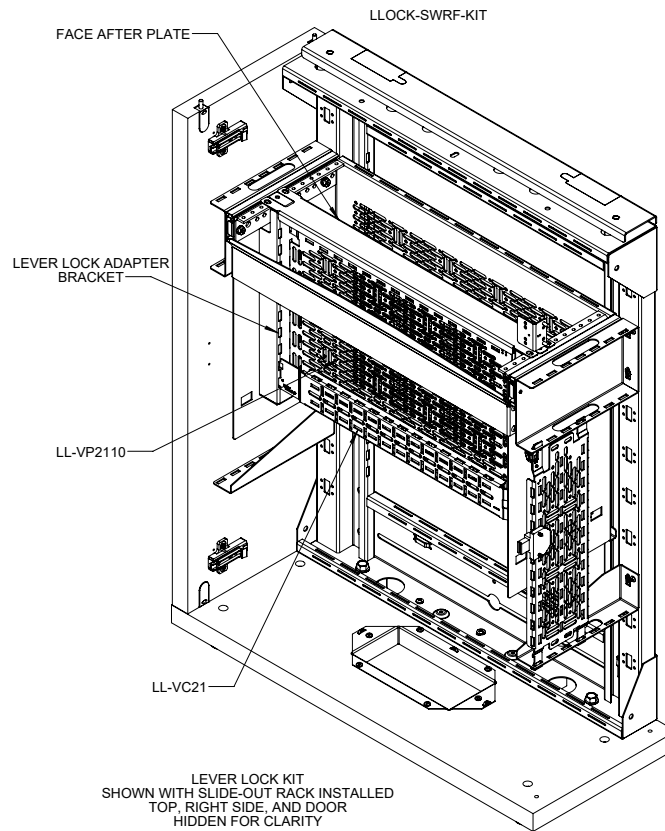
USA P 800.266.7225 E av.middleatlantic.support@legrand.com
CANADA P 888.766.9770 E av.middleatlantic.support@legrand.com

A brand of **legrand**

C3 SERIES

BASIC DIMENSIONS

- NOTE(S):
1. ALL DIMENSIONS SHOWN IN FORMAT: INCHES [MILLIMETERS]
 2. LLOCK-SWRF-KIT REQUIRES USE OF THE C3TECHKIT4-SO OPTION
 3. LLOCK-SWRF-KIT SHOWN, CONTENTS:
 - 2X LL-VC21 - 21" VERTICAL CHANNEL LACE
 - LL-VP2110 - 21"H, 10"D, VERTICAL ACCESS MOUNTING PLATE
 - 1U FACE AFTER PLATE
 - LEVER LOCK ADAPTER BRACKET



WHAT GREAT SYSTEMS ARE BUILT ON™ | legrandav.com

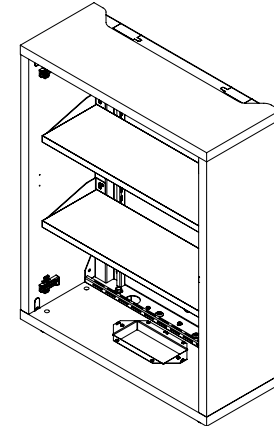
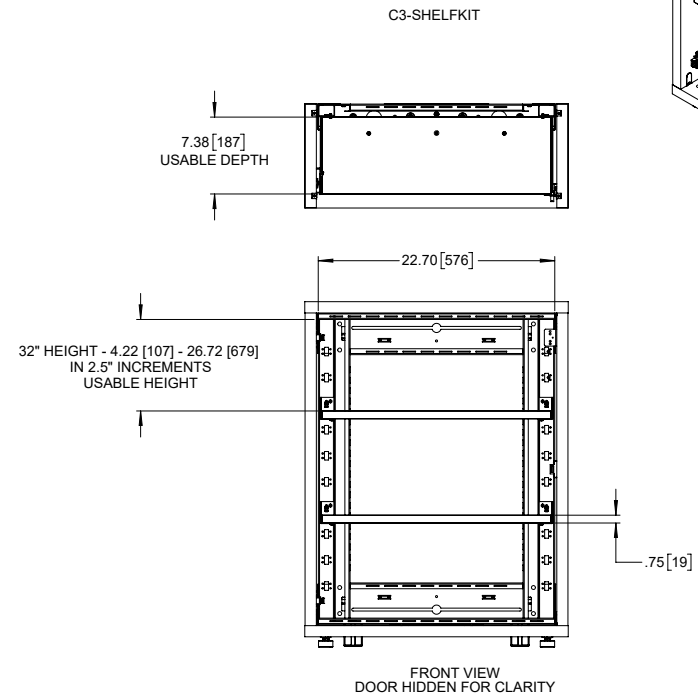
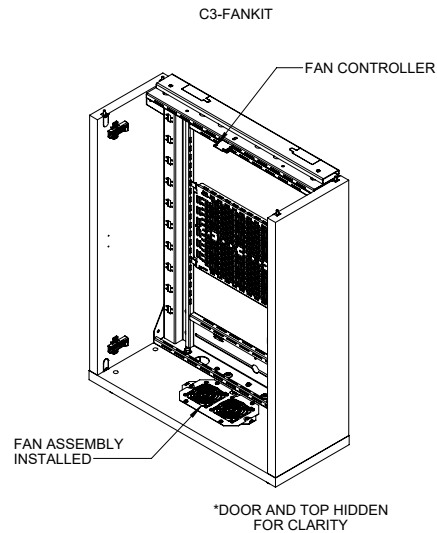
USA P 800.266.7225 E av.middleatlantic.support@legrand.com
 CANADA P 888.766.9770 E av.middleatlantic.support@legrand.com

A brand of **legrand**

C3 SERIES

BASIC DIMENSIONS

NOTE(S):
 1. ALL DIMENSIONS SHOWN IN FORMAT:
 INCHES [MILLIMETERS]
 2. FAN SPECS:
 - 24 dBA PER ASSEMBLY
 - 50 CFM [1.42 m³/MIN] PER ASSEMBLY
 - TURN ON: 87F [30.5C]
 - TURN OFF: 85F [29.4C]



WHAT GREAT SYSTEMS ARE BUILT ON™ | legrandav.com

USA P 800.266.7225 E av.middleatlantic.support@legrand.com
 CANADA P 888.766.9770 E av.middleatlantic.support@legrand.com

©2020 Legrand AV Inc. 200628 Rev A 9/20 Middle Atlantic is a registered trademark of Legrand AV Inc. All other brand names or marks are used for identification purposes and are trademarks of their respective owners. All patents are protected under existing designations. Other patents pending.

A brand of **legrand**

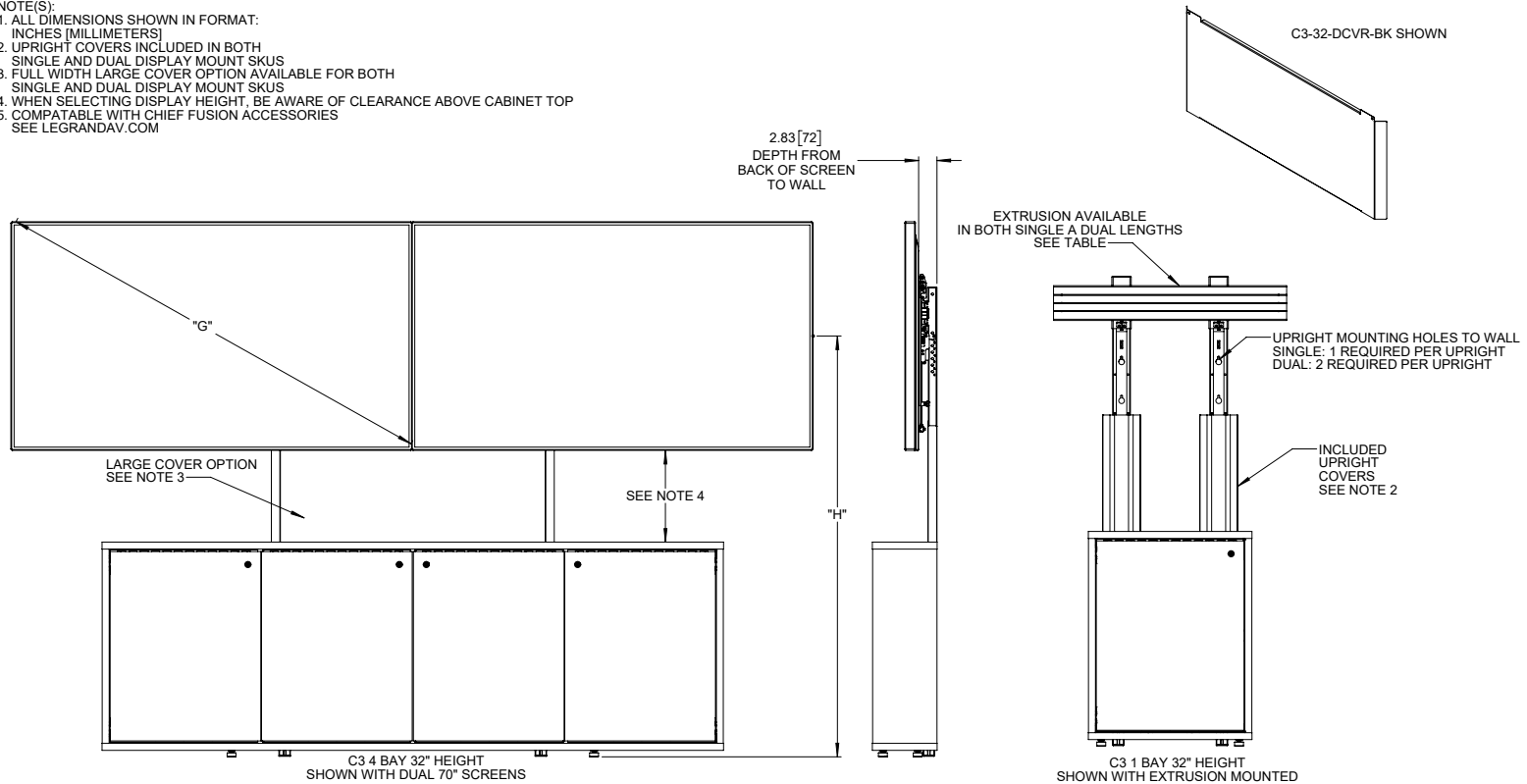
COMMERCIAL AV BRANDS
 C2G | Chief | Da-Lite | Luxul | Middle Atlantic | Vaddio | Wiremold



C3 SERIES

BASIC DIMENSIONS

- NOTE(S):
1. ALL DIMENSIONS SHOWN IN FORMAT: INCHES [MILLIMETERS]
 2. UPRIGHT COVERS INCLUDED IN BOTH SINGLE AND DUAL DISPLAY MOUNT SKUS
 3. FULL WIDTH LARGE COVER OPTION AVAILABLE FOR BOTH SINGLE AND DUAL DISPLAY MOUNT SKUS
 4. WHEN SELECTING DISPLAY HEIGHT, BE AWARE OF CLEARANCE ABOVE CABINET TOP
 5. COMPATIBLE WITH CHIEF FUSION ACCESSORIES SEE LEGRANDAV.COM



DISPLAY MOUNT OPTION PART NUMBER	LARGE COVER OPTION PART NUMBER	EXTRUSION LENGTH	NUMBER OF DISPLAYS	VESA SIZE RANGE [MM]	"G" DISPLAY SIZE	"H" MIDDLE OF DISPLAY HEIGHT	RATED WEIGHT CAPACITY
C3-32-LD1U	C3-32-SCVR-BK	36.00 [914]	1	100X100 - 800X400	40[1016] - 98[2489]	51[1295] - 75[1905]	150 LBS/68 KG
C3-32-LD2U	C3-32-DCVR-BK	96.00 [2438]	2	100X100 - 800X400	50[1270] - 70[1778]	51[1295] - 75[1905]	300 LBS/136KG

WHAT GREAT SYSTEMS ARE BUILT ON™ | legrandav.com

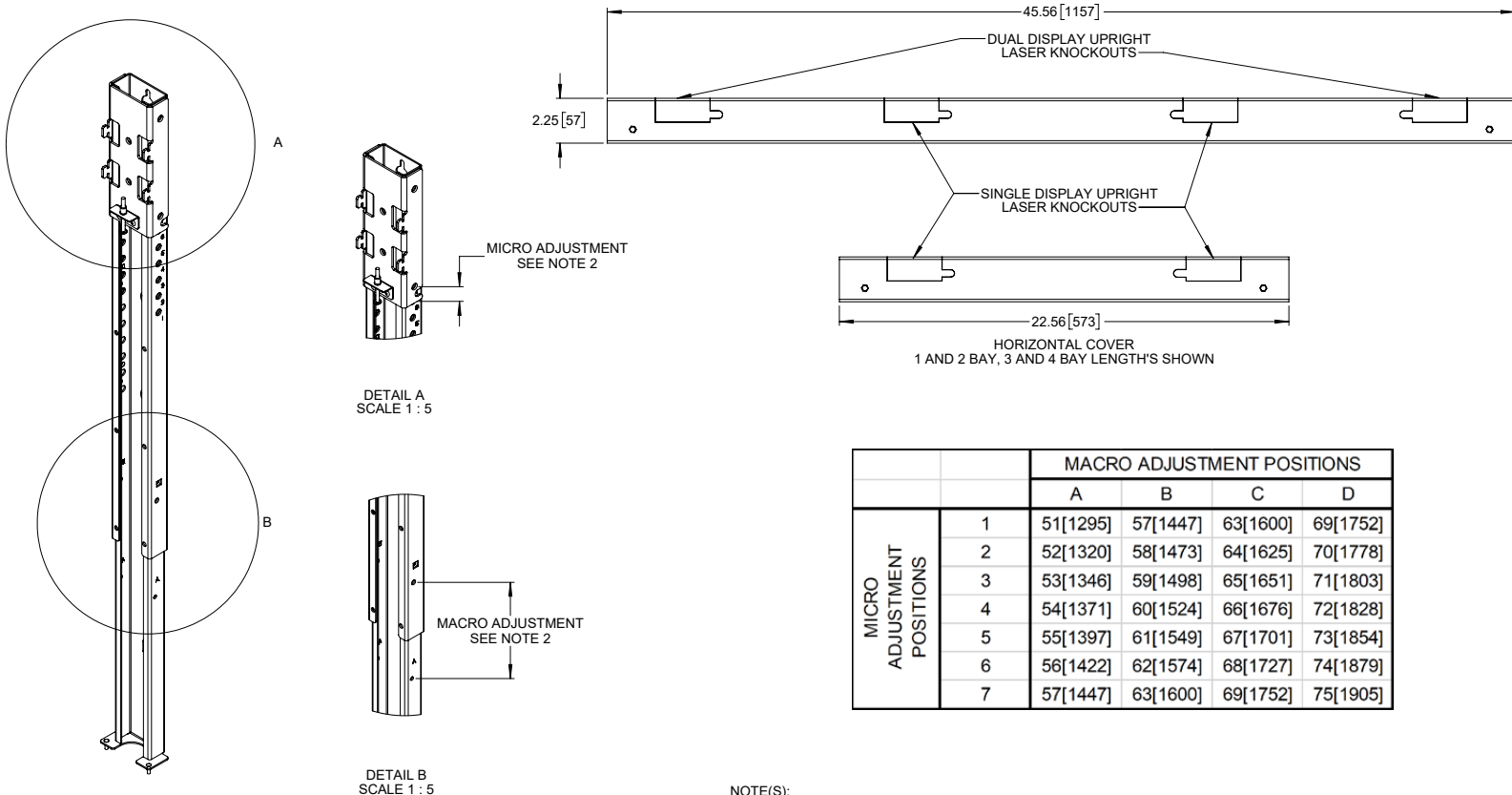
USA P 800.266.7225 E av.middleatlantic.support@legrand.com
 CANADA P 888.766.9770 E av.middleatlantic.support@legrand.com

A brand of legrand

©2020 Legrand AV Inc. 200628 Rev A 9/20 Middle Atlantic is a registered trademark of Legrand AV Inc. All other brand names or marks are used for identification purposes and are trademarks of their respective owners. All patents are protected under existing designations. Other patents pending.

C3 SERIES

BASIC DIMENSIONS



		MACRO ADJUSTMENT POSITIONS			
		A	B	C	D
MICRO ADJUSTMENT POSITIONS	1	51[1295]	57[1447]	63[1600]	69[1752]
	2	52[1320]	58[1473]	64[1625]	70[1778]
	3	53[1346]	59[1498]	65[1651]	71[1803]
	4	54[1371]	60[1524]	66[1676]	72[1828]
	5	55[1397]	61[1549]	67[1701]	73[1854]
	6	56[1422]	62[1574]	68[1727]	74[1879]
	7	57[1447]	63[1600]	69[1752]	75[1905]

NOTE(S):
 1. ALL DIMENSIONS SHOWN IN FORMAT: INCHES [MILLIMETERS]
 2. DISPLAY UPRIGHTS HAVE 2 ADJUSTMENTS; MACRO AND MICRO
 MACRO ADJUSTMENT: 4 POSITIONS (A,B,C,D) CHOSEN BEFORE UPRIGHTS MOUNTED TO FRAME, 6[152] INCREMENT RANGES
 MICRO ADJUSTMENT: 7 POSITIONS (1,2,3,4,5,6,7) CAN BE ADJUSTED AFTER UPRIGHTS MOUNTED TO FRAME, 1[25] INCREMENTS WITHIN MACRO RANGES
 SEE TABLE FOR MIDDLE OF DISPLAY HEIGHT AT EACH POSITION

WHAT GREAT SYSTEMS ARE BUILT ON™ | legrandav.com
 USA P 800.266.7225 E av.middleatlantic.support@legrand.com
 CANADA P 888.766.9770 E av.middleatlantic.support@legrand.com

A brand of **legrand**

©2020 Legrand AV Inc. 200628 Rev A 9/20 Middle Atlantic is a registered trademark of Legrand AV Inc. All other brand names or marks are used for identification purposes and are trademarks of their respective owners. All patents are protected under existing designations. Other patents pending.