

C5 SERIES AV CREDENZA RACK

Perfect for conference rooms, huddle spaces & classrooms the C5 is available in pre-configured models or customize your own.



FEATURES

- Frame to Furniture™ design complements an integrator's installation workflow and creates an environment for an optimized AV system
- Fully assembled frames ship separately from furniture-grade woodkit
- Integrated, thermostatically controlled cooling quietly protects electronics from over-heating
- Available in 1, 2 and 3 bay models and three depths (22", 27" and 31")
- Unique design allows woodkit panels to be replaced quickly and easily
- Available in Moderno, Sota and Klasik Styles
- Standard finishes available: Veneer and High Pressure Laminate materials

C5 SERIES AV CREDENZA RACK

OPTIONS

- Shelf System insert shall be model # C5-SH-SYS__ (refer to chart)
- Flip up side shelf shall be model # C5-__FS__-__ (refer to chart)
- Slide out rotating rack bay shall have 12 rackspaces and be model C5D-SRSR12
- Adjustable Rail Bracket shall be model # C5-ARB__
- 1 bay rear door extender kit shall be model # C5-EXT-3
- Cable grommet shall be model # C5-CG-__
- Display mounts shall be part # C5-2731-__D__-XX (XX = 62 or 75)
- Millwork kit shall be C5-MK__(frame depth - 22, 27, 31)-__ (number of bays - 1,2,3)

SPECIFICATIONS

EIA Compliant 19" A/V Credenza Rack shall be Middle Atlantic Products model # C5FF_-__ (refer to chart). Credenza Rack shall be available in 1, 2 or 3 bay configurations. Overall dimensions shall be 31-1/4" H x __W" x __" D (refer to chart). Usable height shall be 14 rackspaces per bay. Rack frames shall ship fully assembled and be constructed of steel. Total weight capacity with Middle Atlantic finishing kit shall be __ lbs. Total weight capacity of the frame only (must take into account the weight of the customer supplied finishing kit) shall be __ lbs. Each rack bay shall come equipped with 2 pairs of 11-gauge steel rackrail tapped with 10-32 mounting holes in universal EIA spacing, black e-coat finish and numbered rackspaces. Credenza rack shall have one 50 CFM thermostatically controlled proportional speed blower per bay. Exhaust air shall exit the front of the credenza for unrestricted air flow. Thermostatically controlled fans shall be powered on at 87 F and turn off at 85 F. Credenza rack shall require vent panel, model # C5-VENT_-__ (refer to chart) and have venting on the top and bottom of the face of the rack. Credenza rack shall include two adjustable side mounted horizontal lacing bars for enhanced cable management. Credenza rack shall have a steel rear access panel. Credenza rack shall be finished in a durable black powder coat. Top, sides, and front doors shall ship separately from rack frame and be model # C5_K__-__DX. Top shall be constructed of 1-1/8" OR 1" thick triple refined MDF or Particle Board, sides shall be constructed of " OR 1" thick triple refined MDF or particle board, front doors shall be constructed of 3/4" thick triple refined MDF. Top, sides and front doors shall be available in a Moderno, Sota or Klasik styles (refer to chart). Front doors shall be solid or plexi (refer to chart). Top, sides and front doors shall be available in Veneer or High Pressure Laminate materials, visit legrandav.com for list of available finishes. Credenza rack shall include 4 fine floor casters. Credenza rack shall be GREENGUARD Gold Certified with the exception of Veneer finishes, which shall be GREENGUARD Certified. Credenza rack shall be manufactured by an ISO 9001 and ISO 14001 registered company. Credenza Rack frame shall be warranted to be free from defects in material or workmanship under normal use and conditions for the lifetime of the rack, fans shall be warranted for a period of three years and wood panels shall be warranted for a period of 7 years.



PRODUCT CERTIFIED FOR
LOW CHEMICAL EMISSIONS
UL.COM/GG
UL 2818

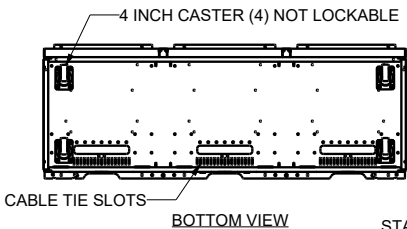
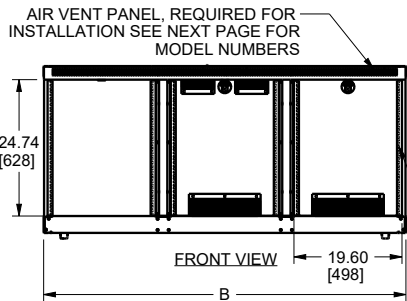
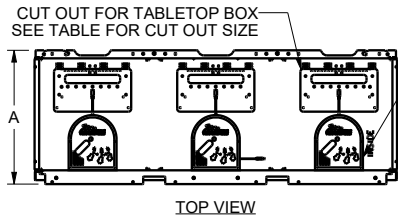
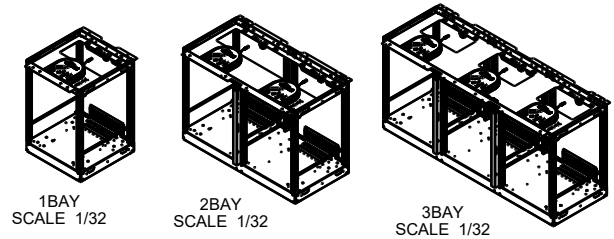
C5 SERIES

BASIC DIMENSIONS

NOTES:

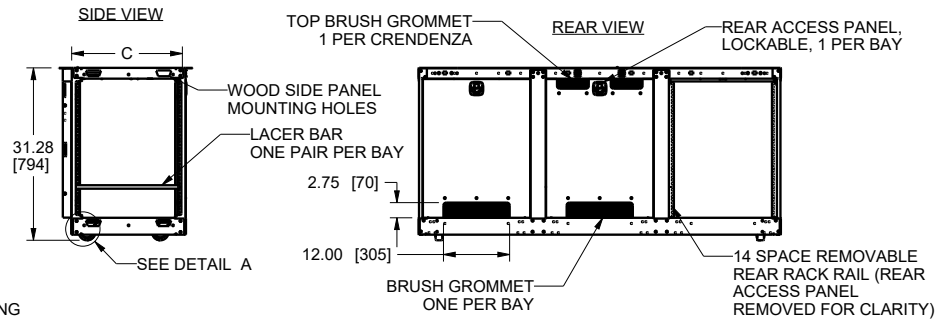
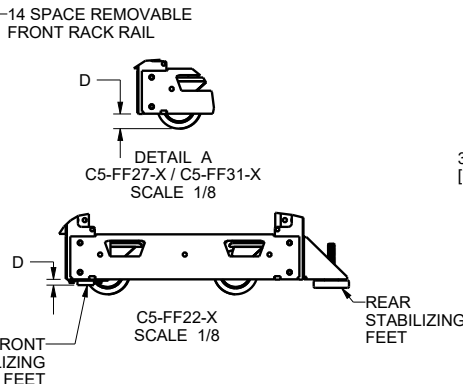
- 1) ALL DIMENSIONS SHOWN IN FORMAT: INCHES [MILLIMETERS]
- 2) AMPERAGE IS BASED ON ACTUAL AMPERAGE RATINGS, NOT ON NAMEPLATE RATINGS, WHICH HAVE BEEN PROVEN TO VARY SIGNIFICANTLY
- 3) IDEAL MAX. TEMP. CHANGE 15° F BASED ON AN AMBIENT ROOM TEMP. OF 70° F
- 4) THIS DATA IS MADE ASSUMING THAT THE CRENDENZA IS PLACED AGAINST A WALL IN A ROOM
- 5) 1 POWER SUPPLY PER FRAME WITH 68 [1727] LONG CORD
- 6) FRONT AND REAR STABILIZING FEET INCLUDED ONLY ON 22" DEEP MODELS (SEE DETAIL A)
- 7) RATED WEIGHT CAPACITY IS WITH MAP WOODKIT
22" DEEP MODELS RATED FOR MAX. 250LBS ON TOP, 250LBS INSIDE
27" AND 31" MODELS RATED FOR MAX. 350LBS ON TOP, 250LBS INSIDE
- 8) TOTAL WEIGHT CAPACITY INCLUDES USER-PROVIDED WOODKIT

COOLING CAPABILITIES			
THERMAL LOAD	TEMP CHANGE (° F)	TEMP CHANGE (° F)	TEMP CHANGE (° F)
	C5-FF22-1 C5-FF27-1 / IC5-FF27-1 C5-FF31-1 / IC5-FF31-1	C5-FF22-2 C5-FF27-2 / IC5-FF27-2 C5-FF31-2 / IC5-FF31-2	C5-FF22-3 C5-FF27-3 / IC5-FF27-3 C5-FF31-3 / IC5-FF31-3
0.8A-100W	3.3	1.8	1.3
1.7A-200W	7.4	4.6	3.7
2.5A-300W	9.9	6.5	4.7
3.3A-400W	14.5	7.2	5.3
4.2A-500W	17.8	10.0	7.8
5.0A-600W	21.2	11.3	9.0
5.8A-700W	25.8	14.5	10.1
6.7A-800W	26.6	15.0	12.2
7.5A-900W	31.5	17.7	13.3
8.A-1000W	33.3	19.5	15.6



FRAME PART NUMBER	"A" DEPTH	"B" WIDTH	"C" USEABLE DEPTH	"D" CLEARANCE	CUT OUT SIZE	CUT OUT QTY	DBA	FAN FREE AIR RATED CFM	ACTUAL INSTALLED CFM	RATED WEIGHT CAPACITY	TOTAL WEIGHT CAPACITY
C5-FF22-1	19.67 [500]	21.05 [535]	15.48 [393]	.15 [4]	3.13 [80] X 17.05 [433]	1	33	50	46	500LBS/227KG	550LBS/250KG
C5-FF22-2	19.67 [500]	43.39 [1102]	15.48 [393]	.15 [4]	3.13 [80] X 39.39 [1001]	1	34	100	91	500LBS/227KG	550LBS/250KG
C5-FF22-3	19.67 [500]	65.75 [1670]	15.48 [393]	.15 [4]	3.13 [80] X 14.00 [356]	3	36	150	138	500LBS/227KG	550LBS/250KG
C5-FF27-1	24.27 [616]	21.05 [535]	20.08 [510]	1.00 [25]	7.75 [197] X 17.05 [433]	1	33	50	46	600LBS/273KG	800LBS/363KG
C5-FF27-2	24.27 [616]	43.39 [1102]	20.08 [510]	1.00 [25]	7.75 [197] X 39.39 [1001]	1	34	100	91	600LBS/273KG	800LBS/363KG
C5-FF27-3	24.27 [616]	65.75 [1670]	20.08 [510]	1.00 [25]	7.75 [197] X 14.00 [356]	3	36	150	138	600LBS/273KG	800LBS/363KG
C5-FF31-1	28.13 [714]	21.05 [535]	23.94 [608]	1.00 [25]	10.00 [254] X 17.05 [433]	1	33	50	46	600LBS/273KG	800LBS/363KG
C5-FF31-2	28.13 [714]	43.39 [1102]	23.94 [608]	1.00 [25]	10.00 [254] X 39.39 [1001]	1	34	100	91	600LBS/273KG	800LBS/363KG
C5-FF31-3	28.13 [714]	65.75 [1670]	23.94 [608]	1.00 [25]	10.00 [254] X 14.00 [356]	3	36	150	138	600LBS/273KG	800LBS/363KG

*SEE NOTES 7 AND 8



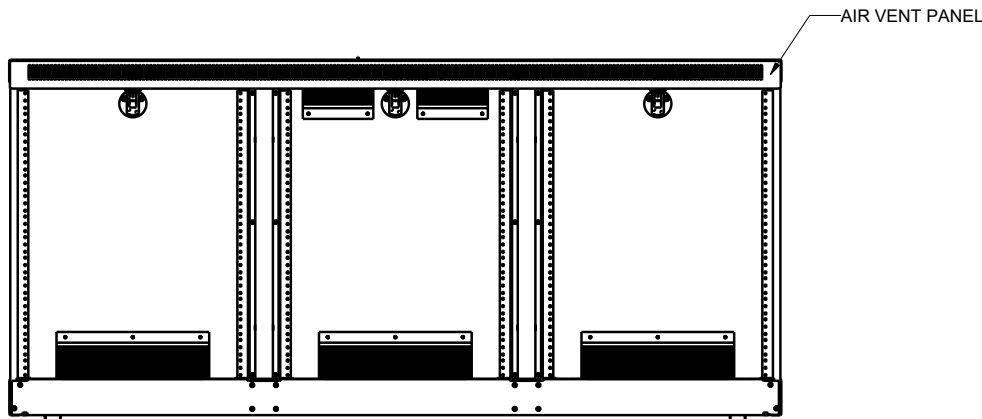
C5 SERIES

BASIC DIMENSIONS

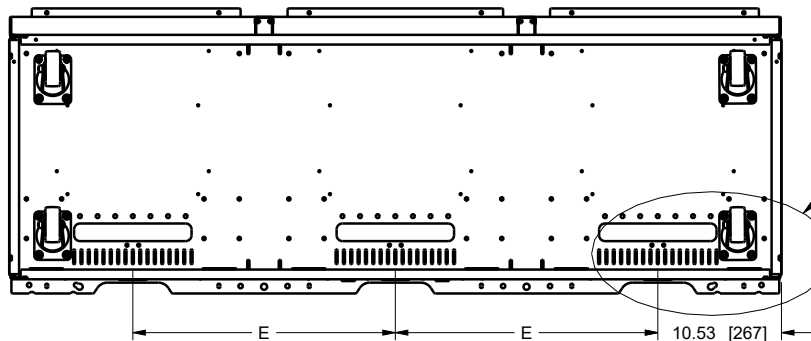
ES:
L DIMENSIONS SHOWN IN FORMAT:
CHES [MILLIMETERS]
R VENT PANEL IS REMOVABLE AND OFFERED IN
FFERENT COLORS, REQUIRED FOR INSTALLATION

COLOR CODE	
WH	WHITE
SM	SILVER METALLIC
BK	FLAT BLACK

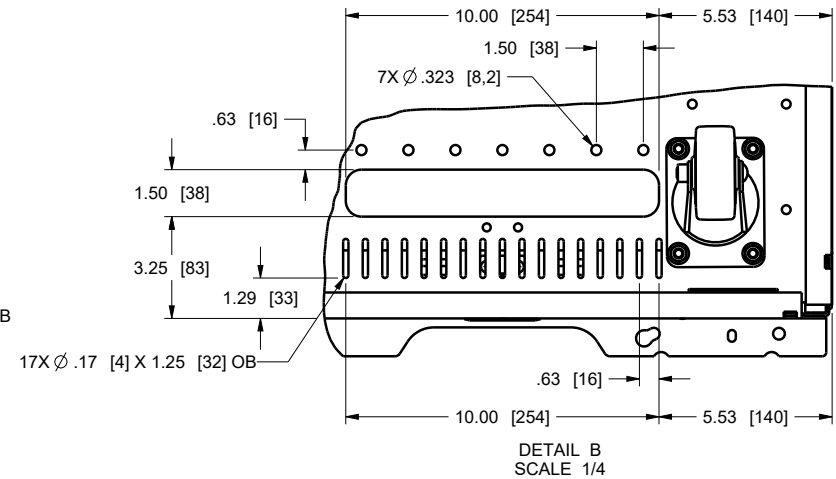
FRAME PART NUMBER	"E" CENTER DISTANCE	AIR VENT PART NUMBER
C5-FF22-1	NA	C5-VENT1-WH C5-VENT1-SM C5-VENT1-BK
C5-FF27-1		
C5-FF31-1		
C5-FF22-2	22.35 [568]	C5-VENT2-WH C5-VENT2-SM C5-VENT2-BK
C5-FF27-2		
C5-FF31-2		
C5-FF22-3	22.35 [568]	C5-VENT3-WH C5-VENT3-SM C5-VENT3-BK
C5-FF27-3		
C5-FF31-3		



FRONT VIEW
SCALE 3/32



BOTTOM VIEW

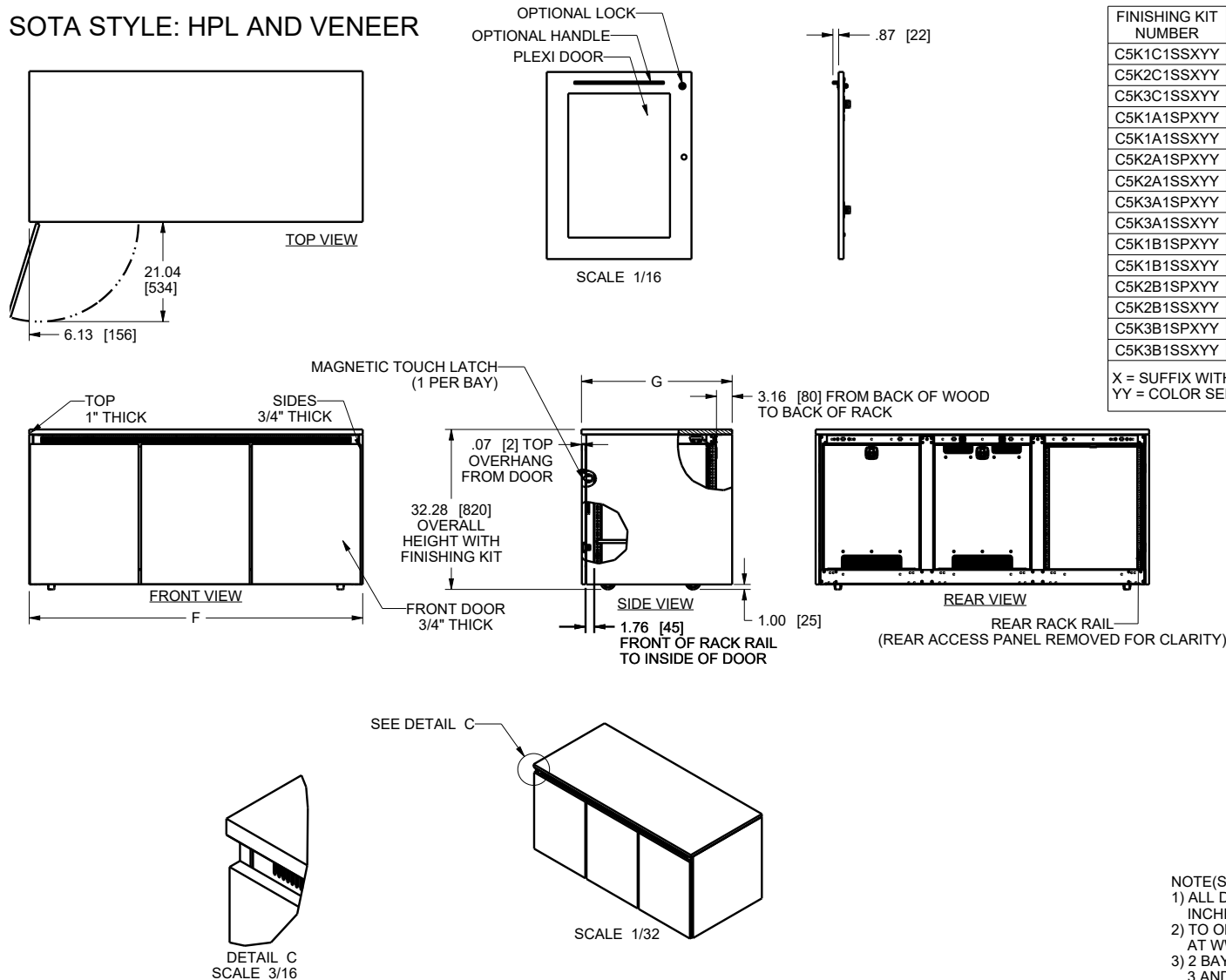


DETAIL B
SCALE 1/4

C5 SERIES SOTA STYLE

BASIC DIMENSIONS

SOTA STYLE: HPL AND VENEER



FINISHING KIT NUMBER	DOOR TYPE	"F" WIDTH	"G" DEPTH	COMPATIBLE WITH
C5K1C1SSXYY	SOLID	22.8 [580]	21.9 [557]	C5-FF22-1
C5K2C1SSXYY	SOLID	45.1 [1146]	21.9 [557]	C5-FF22-2
C5K3C1SSXYY	SOLID	67.5 [1715]	21.9 [557]	C5-FF22-3
C5K1A1SPXYY	PLEXI	22.8 [580]	26.6 [676]	C5-FF27-1
C5K1A1SSXYY	SOLID			
C5K2A1SPXYY	PLEXI	45.1 [1146]	26.6 [676]	C5-FF27-2
C5K2A1SSXYY	SOLID			
C5K3A1SPXYY	PLEXI	67.5 [1715]	26.6 [676]	C5-FF27-3
C5K3A1SSXYY	SOLID			
C5K1B1SPXYY	PLEXI	22.8 [580]	30.4 [773]	C5-FF31-1
C5K1B1SSXYY	SOLID			
C5K2B1SPXYY	PLEXI	45.1 [1146]	30.4 [773]	C5-FF31-2
C5K2B1SSXYY	SOLID			
C5K3B1SPXYY	PLEXI	67.5 [1715]	30.4 [773]	C5-FF31-3
C5K3B1SSXYY	SOLID			

X = SUFFIX WITH V FOR VENEER FINISH, SUFFIX WITH H FOR HPL FINISH
YY = COLOR SELECTION; REFER TO WWW.LEGRANDAV.COM FOR OPTIONS

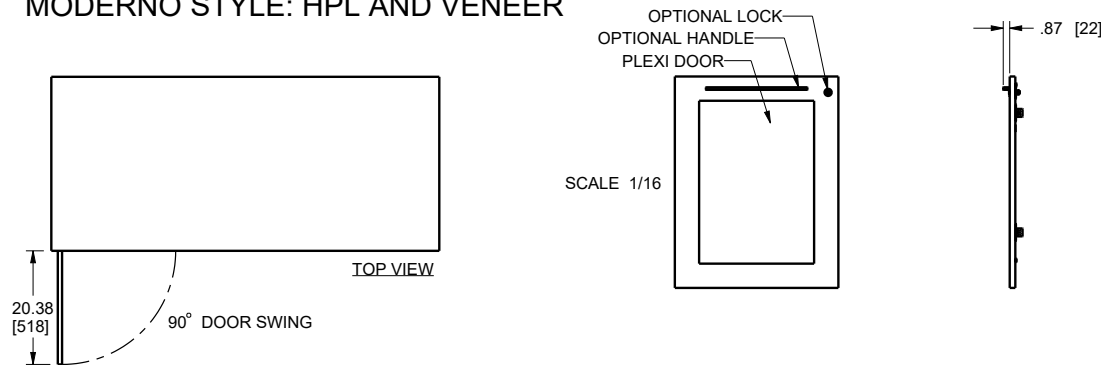
ACCESSORY PART NUMBER	ACCESSORY TYPE	COLOR CODE
ACC-LOCK1-BK	LOCK	BLACK
ACC-LOCK1-MA	LOCK	MODERN ALUMINUM (MATTE FINISH)
ACC-LOCK1-WH	LOCK	WHITE
ACC-HANDLE1-MA	HANDLE	MODERN ALUMINUM (MATTE FINISH)

- NOTE(S):
- 1) ALL DIMENSIONS SHOWN IN FORMAT: INCHES [MILLIMETERS]
 - 2) TO ORDER, FULL PART NUMBER MUST BE GENERATED AT WWW.LEGRANDAV.COM.
 - 3) 2 BAY CREDENZAS HAVE A LEFT AND RIGHT DOOR BY DEFAULT, 3 AND 1 BAY CREDENZAS HAVE LEFT DOORS BY DEFAULT

C5 SERIES MODERNO STYLE

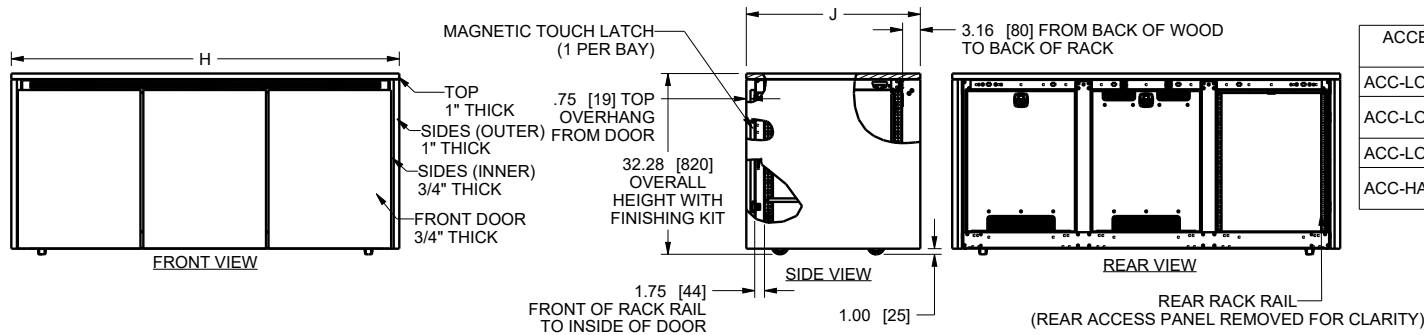
BASIC DIMENSIONS

MODERNO STYLE: HPL AND VENEER

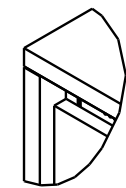


FINISHING KIT NUMBER	DOOR TYPE	"H" WIDTH	"J" DEPTH	COMPATIBLE WITH
C5K1A1MPXY	PLEXI	24.9 [632]	27.3 [694]	C5-FF27-1
C5K1A1MSXY	SOLID			
C5K2A1MPXY	PLEXI	47.2 [1199]	27.3 [694]	C5-FF27-2
C5K2A1MSXY	SOLID			
C5K3A1MPXY	PLEXI	69.6 [1768]	27.3 [694]	C5-FF27-3
C5K3A1MSXY	SOLID			
C5K1B1MPXY	PLEXI	24.9 [632]	31.1 [790]	C5-FF31-1
C5K1B1MSXY	SOLID			
C5K2B1MPXY	PLEXI	47.2 [1199]	31.1 [790]	C5-FF31-2
C5K2B1MSXY	SOLID			
C5K3B1MPXY	PLEXI	69.6 [1768]	31.1 [790]	C5-FF31-3
C5K3B1MSXY	SOLID			

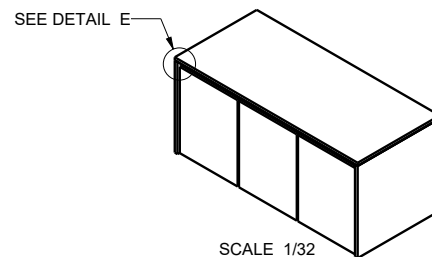
X = SUFFIX WITH V FOR VENEER FINISH, SUFFIX WITH H FOR HPL FINISH
YY = COLOR SELECTION; REFER TO WWW.LEGRANDAV.COM FOR OPTIONS



ACCESSORY PART NUMBER	ACCESSORY TYPE	COLOR CODE
ACC-LOCK1-BK	LOCK	BLACK
ACC-LOCK1-MA	LOCK	MODERN ALUMINUM (MATTE FINISH)
ACC-LOCK1-WH	LOCK	WHITE
ACC-HANDLE1-MA	HANDLE	MODERN ALUMINUM (MATTE FINISH)



DETAIL E
SCALE 3/16



SCALE 1/32

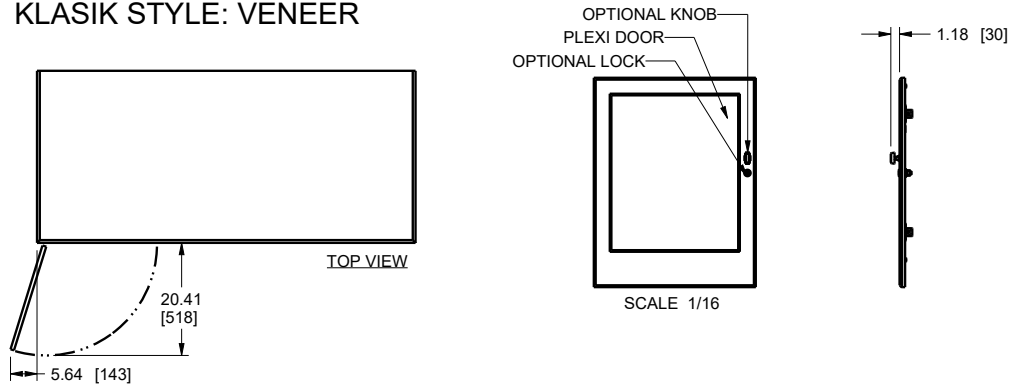
NOTE(S):

- 1) ALL DIMENSIONS SHOWN IN FORMAT: INCHES [MILLIMETERS]
- 2) TO ORDER, FULL PART NUMBER MUST BE GENERATED AT WWW.LEGRANDAV.COM.
- 3) 2 BAY CREDENZAS HAVE A LEFT AND RIGHT DOOR BY DEFAULT, 3 AND 1 BAY CREDENZAS HAVE LEFT DOORS BY DEFAULT

C5 SERIES KLASIK STYLE

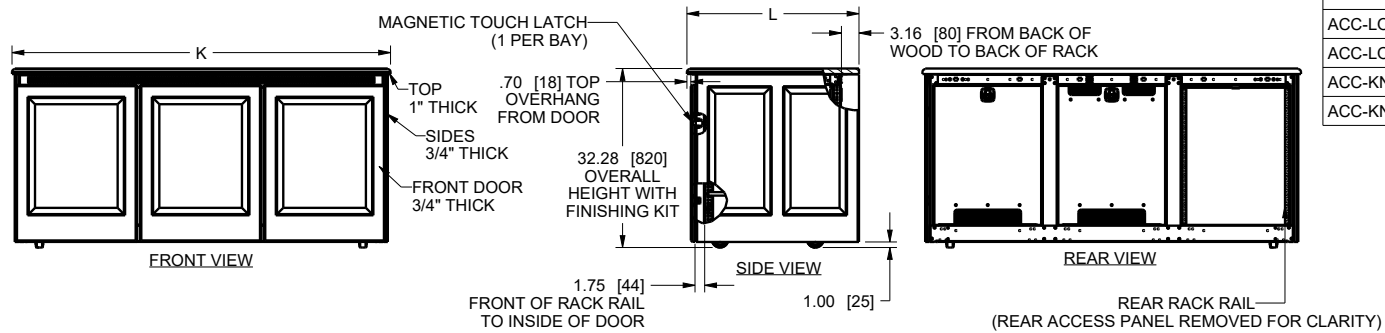
BASIC DIMENSIONS

KLASIK STYLE: VENEER

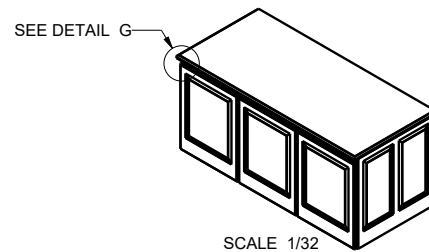
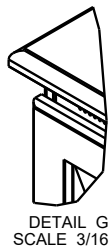


FINISHING KIT NUMBER	DOOR TYPE	"K" WIDTH	"L" DEPTH	COMPATIBLE WITH
C5K1A1KPVYY	PLEXI	23.6 [600]	27.2 [691]	C5-FF27-1
C5K1A1KSVYY	SOLID			
C5K2A1KPVYY	PLEXI	46.0 [1169]	27.2 [691]	C5-FF27-2
C5K2A1KSVYY	SOLID			
C5K3A1KPVYY	PLEXI	68.3 [1735]	27.2 [691]	C5-FF27-3
C5K3A1KSVYY	SOLID			
C5K1B1KPVYY	PLEXI	23.6 [600]	31.1 [790]	C5-FF31-1
C5K1B1KSVYY	SOLID			
C5K2B1KPVYY	PLEXI	46.0 [1169]	31.1 [790]	C5-FF31-2
C5K2B1KSVYY	SOLID			
C5K3B1KPVYY	PLEXI	68.3 [1735]	31.1 [790]	C5-FF31-3
C5K3B1KSVYY	SOLID			

YY = COLOR SELECTION; REFER TO WWW.LEGRANDAV.COM FOR OPTIONS.



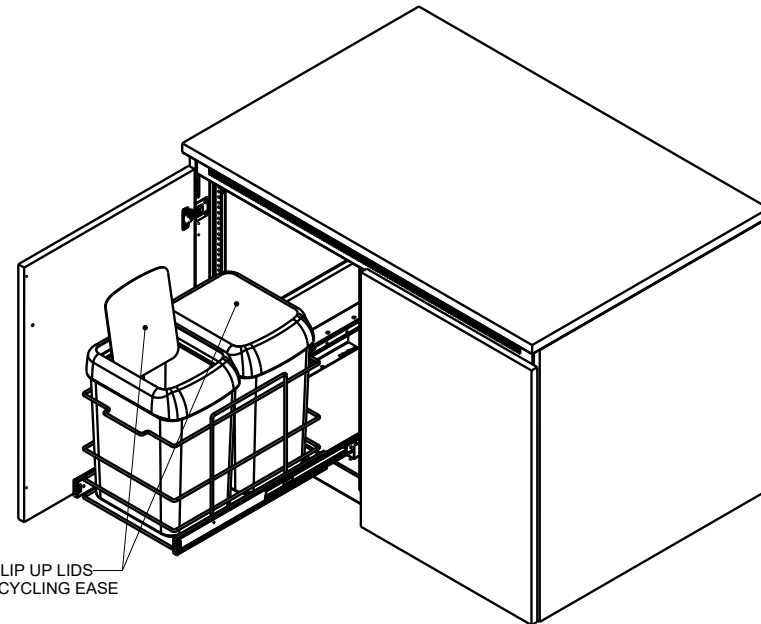
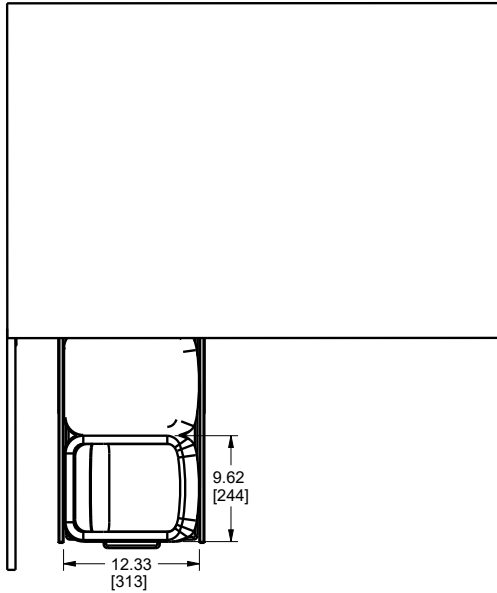
ACCESSORY PART NUMBER	ACCESSORY TYPE	COLOR CODE
ACC-LOCK1-SN	LOCK	SATIN NICKEL
ACC-LOCK1-CB	LOCK	CLASSIC BRONZE
ACC-KNOB1-CN	KNOB	CLASSIC NICKEL
ACC-KNOB1-CB	KNOB	CLASSIC BRONZE



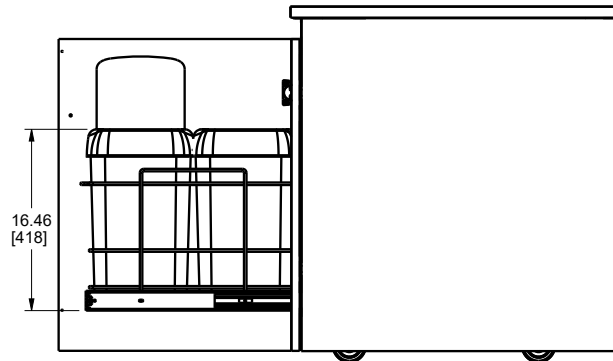
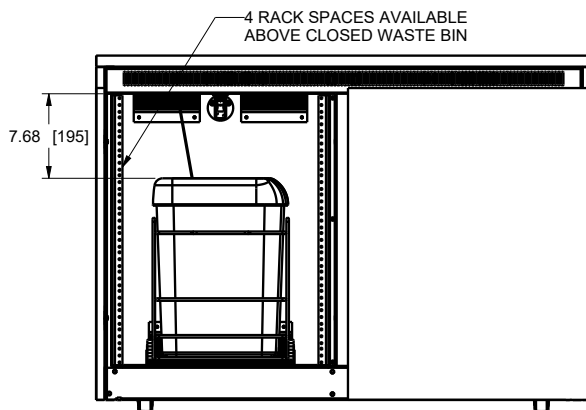
- NOTE(S):
- 1) ALL DIMENSIONS SHOWN IN FORMAT: INCHES [MILLIMETERS]
 - 2) TO ORDER, FULL PART NUMBER MUST BE GENERATED AT WWW.LEGRANDAV.COM.
 - 3) 2 BAY CREDENZAS HAVE A LEFT AND RIGHT DOOR BY DEFAULT, 3 AND 1 BAY CREDENZAS HAVE LEFT DOORS BY DEFAULT

C5 SERIES

BASIC DIMENSIONS



TWO CONTOURED WASTE BINS WITH FLIP UP LIDS—
COLOR CODED BLUE AND TAN FOR RECYCLING EASE
22 LITER CAPACITY EACH

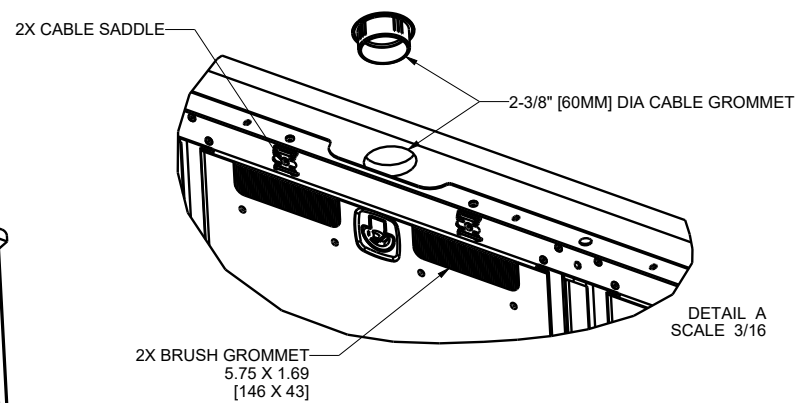
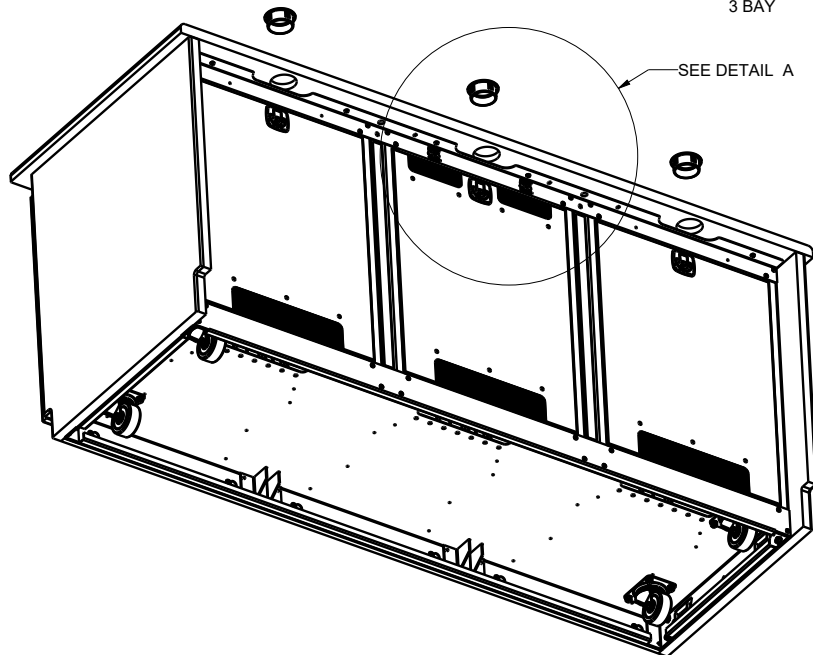
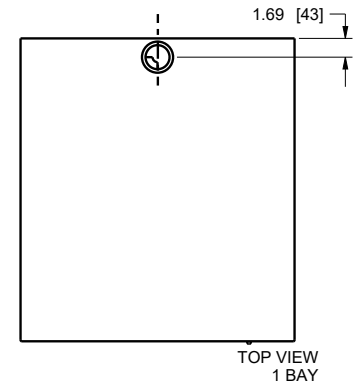
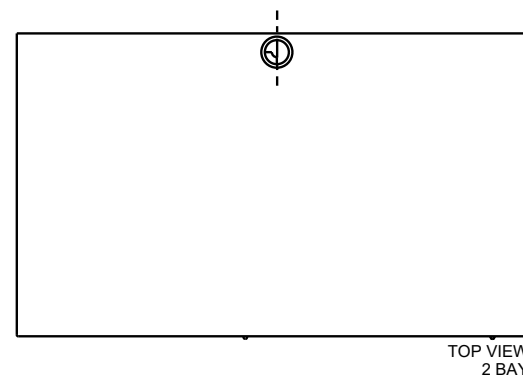
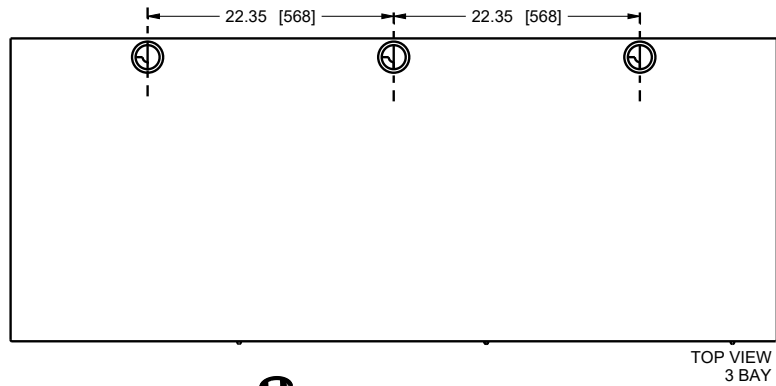


- NOTE(S):
1) ALL DIMENSIONS SHOWN IN FORMAT:
INCHES [MILLIMETERS]
2) WASTE BIN ONLY AVAILABLE FOR 27" AND 31" DEEP MODELS

C5 SERIES

BASIC DIMENSIONS

PART NUMBER	RESPECTIVE WOOD FINISH
C5-CG-H	HPL
C5-CG-V	VENEER

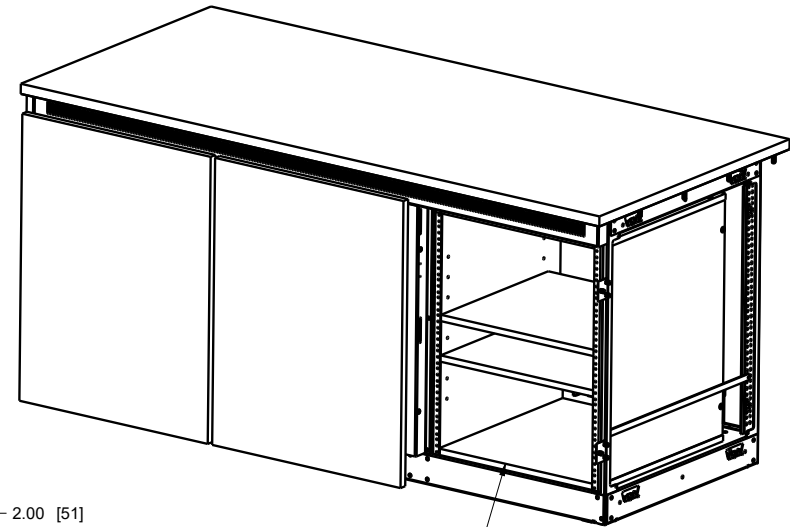
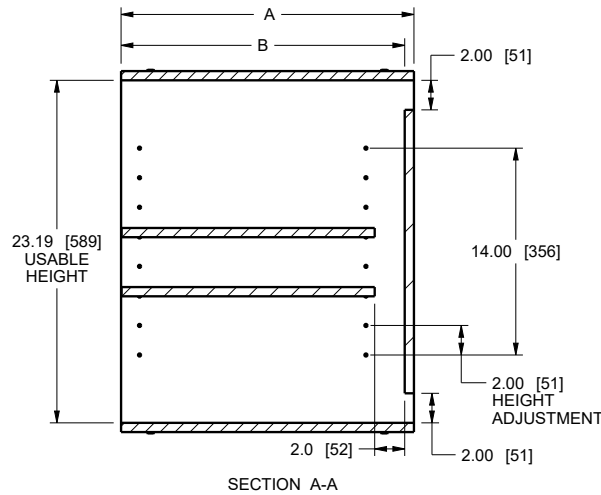
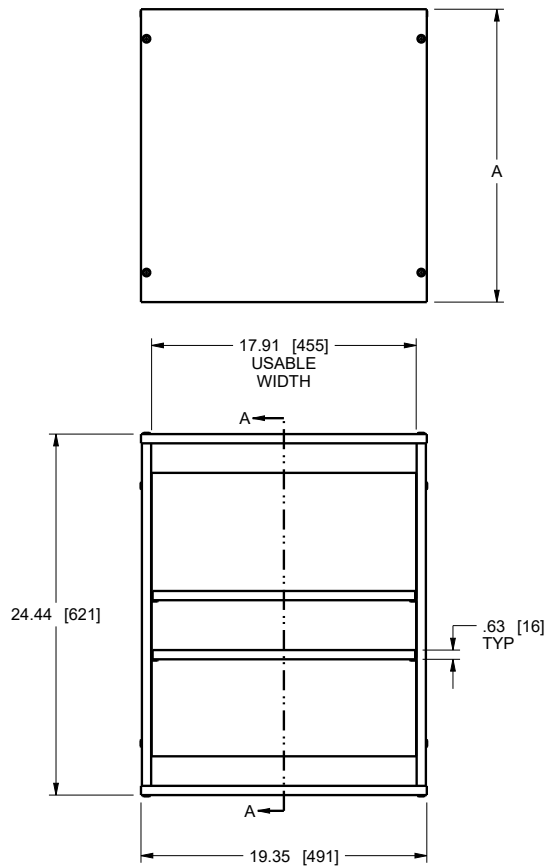


NOTE(S):
1) ALL DIMENSIONS SHOWN IN FORMAT:
INCHES [MILLIMETERS]
2) C5 CABLE GROMMET ONLY AVAILABLE ON 27" AND 31" DEEP MODELS

C5 SERIES

BASIC DIMENSIONS

PART NUMBER	"A" DEPTH	"B" USABLE DEPTH	COMPATIBLE FRAMES
C5-SH-SYS22	11.36 [289]	10.74 [273]	C5-FF22-1, C5-FF22-2, C5-FF22-3
C5-SH-SYS27	15.97 [406]	15.34 [390]	C5-FF27-1, C5-FF27-2, C5-FF27-3
C5-SH-SYS31	19.83 [504]	19.20 [488]	C5-FF31-1, C5-FF31-2, C5-FF31-3



SHELF SHOWN INSTALLED IN C5 CREDEZA WITH DOOR AND SIDE PANEL REMOVED FOR CLARITY

NOTE(S):
1) ALL DIMENSIONS SHOWN IN FORMAT: INCHES [MILLIMETERS]

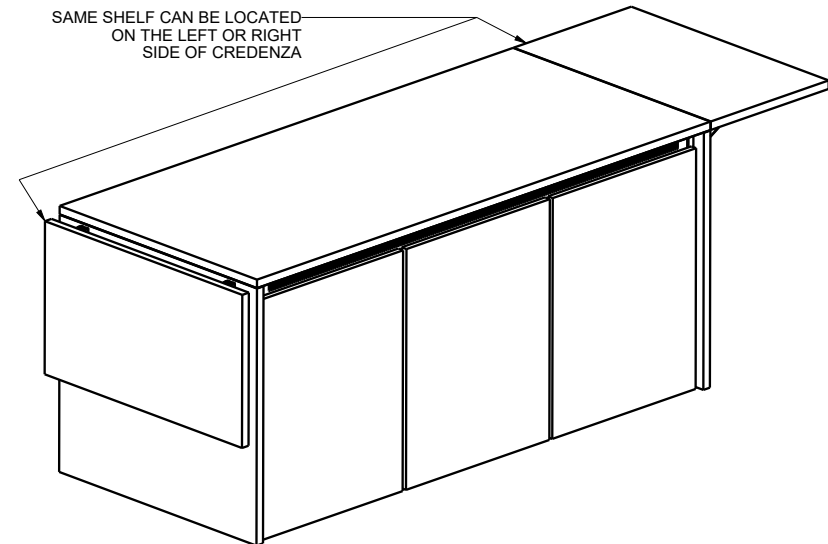
C5 SERIES

BASIC DIMENSIONS

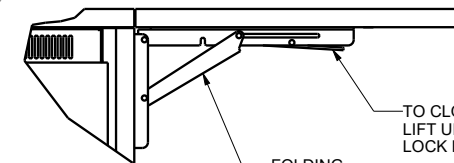
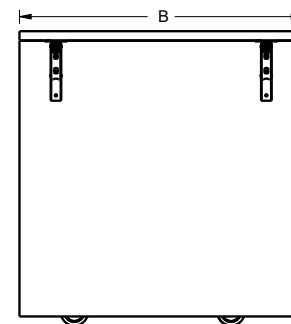
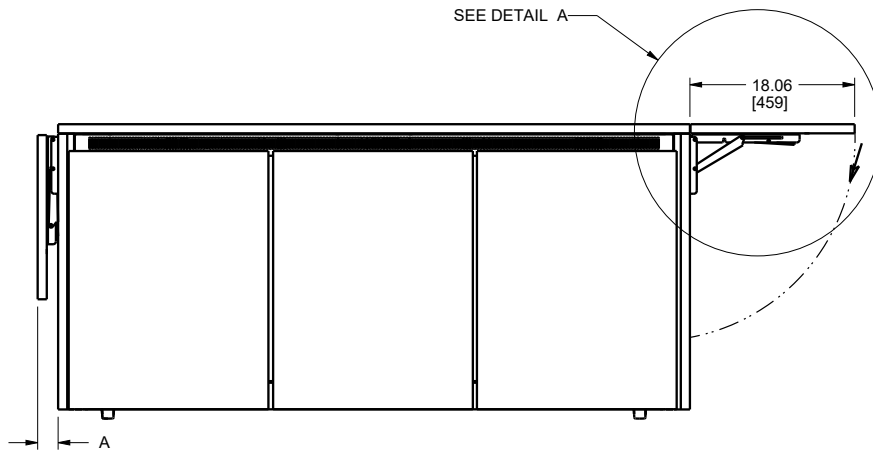
PART NUMBER	COMPATIBLE FRAMES	COMPATIBLE STYLES	COMPATIBLE FINISH TYPE	"A" OVERHANG	"B" DEPTH
C5-MFS27-VXX	C5-FF27-1, C5-FF27-2, C5-FF27-3	MODERNO	VENEER	2.25 [57]	27.3 [694]
C5-MFS31-VXX	C5-FF31-1, C5-FF31-2, C5-FF31-3	MODERNO	VENEER	2.25 [57]	31.1 [790]
C5-MFS27-HXX	C5-FF27-1, C5-FF27-2, C5-FF27-3	MODERNO	HPL	2.25 [57]	27.3 [694]
C5-MFS31-HXX	C5-FF31-1, C5-FF31-2, C5-FF31-3	MODERNO	HPL	2.25 [57]	31.1 [790]
C5-SFS27-VXX	C5-FF27-1, C5-FF27-2, C5-FF27-3	SOTA	VENEER	2.25 [57]	26.6 [676]
C5-SFS31-VXX	C5-FF31-1, C5-FF31-2, C5-FF31-3	SOTA	VENEER	2.25 [57]	30.4 [773]
C5-SFS22-HXX	C5-FF22-1, C5-FF22-2, C5-FF22-3	SOTA	HPL	2.25 [57]	21.9 [557]
C5-SFS27-HXX	C5-FF27-1, C5-FF27-2, C5-FF27-3	SOTA	HPL	2.25 [57]	26.6 [676]
C5-SFS31-HXX	C5-FF31-1, C5-FF31-2, C5-FF31-3	SOTA	HPL	2.25 [57]	30.4 [773]
C5-KFS27-VXX	C5-FF27-1, C5-FF27-2, C5-FF27-3	KLASIK	VENEER	2.25 [57]	27.2 [691]
C5-KFS31-VXX	C5-FF31-1, C5-FF31-2, C5-FF31-3	KLASIK	VENEER	2.25 [57]	31.1 [790]

XX=COLOR DESIGNATION; REFER TO
WWW.LEGRANDAV.COM FOR OPTIONS

SAME SHELF CAN BE LOCATED
ON THE LEFT OR RIGHT
SIDE OF CREDENZA



SEE DETAIL A



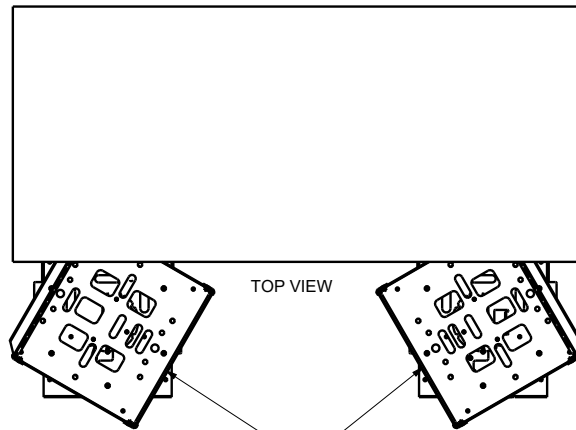
DETAIL A
SCALE 5/32

TO CLOSE SHELF
LIFT UP ON
LOCK RELEASE LEVER

NOTE(S):
1) ALL DIMENSIONS SHOWN IN FORMAT:
INCHES [MILLIMETERS]

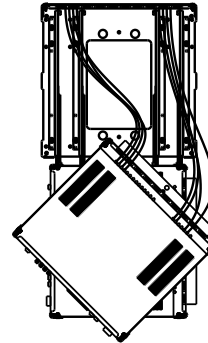
C5 SERIES

BASIC DIMENSIONS



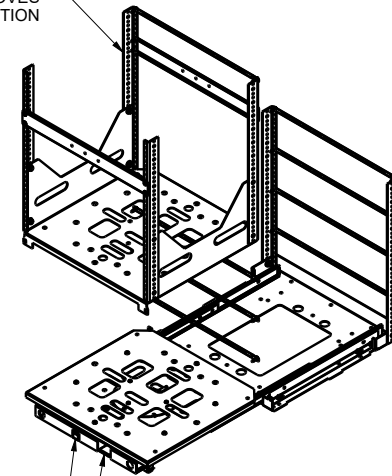
C5D-SRSR12 SHOWN ROTATED 60° IN BOTH DIRECTIONS.

FOR EASY INSTALLATION AND SERVICING
LOCKS IN PLACE 0° AND 60°
TOP VIEW



FRAME PART NUMBER	"A" RACK RAIL AND REAR ACCESS PANEL DISTANCE
C5-FF27-3, C5-FF27-2, C5-FF27-1	1.55 [40]
C5-FF31-3, C5-FF31-2, C5-FF31-1	5.41 [138]

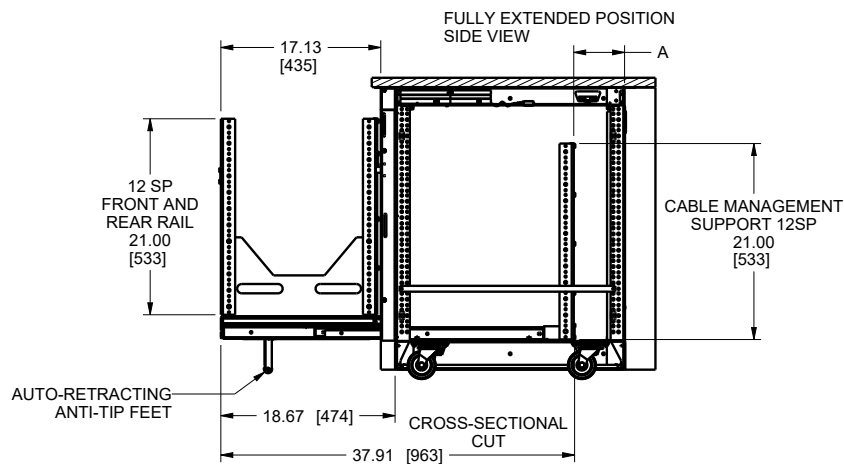
RACK REMOVES FOR EASY INTEGRATION



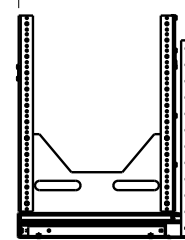
ROTATION LEVER
LOCKOUT LEVER

NOTE(S):
1) ALL DIMENSIONS SHOWN IN FORMAT:
INCHES [MILLIMETERS]
2) C5D-SRSR12 ONLY AVAILABLE FOR 27" AND 31" DEEP MODELS

IT IS RECOMMENDED THAT THE FRONT DOOR BE REMOVED TO PROVIDE REAR ACCESS WHEN EXTENDING AND ROTATING THE RACK BAY.



USABLE DEPTH MAX
18.94 [481]



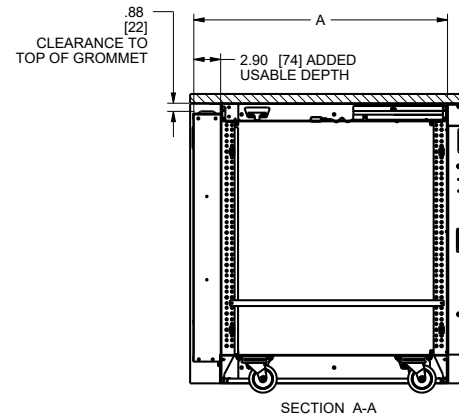
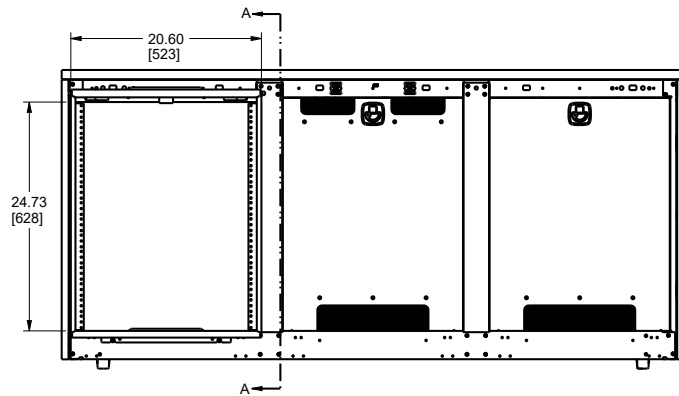
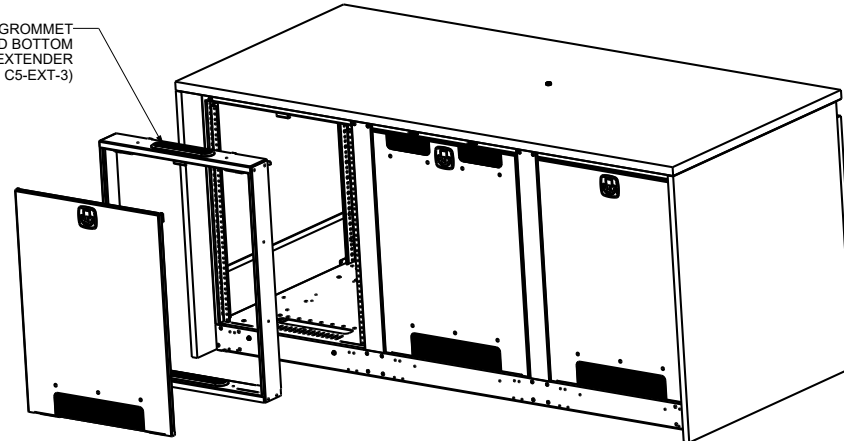
CLOSED POSITION
SIDE VIEW

C5 SERIES ADJUSTABLE RAIL BRACKET

BASIC DIMENSIONS

FRAME PART NUMBER	"A" COMBINED DEPTH
C5-FF22-1, C5-FF22-2, C5-FF22-3	18.94 [481]
C5-FF27-1, C5-FF27-2, C5-FF27-3	23.54 [598]
C5-FF31-1, C5-FF31-2, C5-FF31-3	27.42 [697]

1" x 7" CABLE GROMMET ON TOP AND BOTTOM OF C5 EXTENDER (P/N: C5-EXT-3)



Rev B

NOTE(S):
1) ALL DIMENSIONS SHOWN IN FORMAT:
INCHES [MILLIMETERS]

LEGRAND | AV COMMERCIAL BRANDS
C2G | Chief | Da-Lite | Luxul | Middle Atlantic | Vaddio | Wiremold

WHAT GREAT SYSTEMS ARE BUILT ON™ | legrandav.com

USA 800.266.7225 av.middleatlantic.support@legrand.com CANADA 888.766.9770 av.middleatlantic.support@legrand.com

©2023 Legrand AV Inc. 220793 96-01195 Rev B 5/23 Middle Atlantic is a registered trademark of Legrand AV Inc. All other brand names or marks are used for identification purposes and are trademarks of their respective owners. All patents are protected under existing designations. Other patents pending.