

## DATA SHEET

### Cat6 Snagless Unshielded Slim Ethernet Network Patch Cable

Designed for fast Ethernet networks that require bandwidth-intensive voice, data, or video distribution applications.

#### OVERVIEW

The Cat6 Snagless Unshielded (UTP) Slim Network Patch Cable is the perfect solution for high density datacenter applications. The use of 28 AWG conductors allows for a 36% reduction in diameter over a standard Cat6 network patch cable. This reduced diameter provides a smaller cable surface area which allows for increased airflow when compared to standard Cat6 cables. The 28 AWG conductors also allow this cable to have a smaller bend radius than standard Cat6 cables. The small size and small bend radius of this cable allows it to be easily routed through cable management panels.

This cable is designed for fast Ethernet networks that require bandwidth-intensive voice, data, or video distribution applications. Constructed from high quality copper cable, this design minimizes Near-End Crosstalk (NEXT) levels. The molded, snagless boot prevents unwanted cable snags during installation and provides extra strain relief. Available in a variety of colors to easily color-code your network installation.

#### FEATURES

- Supports voice/ data/video distribution applications up to 500 MHz
- Meets all Cat6 TIA/EIA-568-C.2 standard for Patch Cord Performance\*
- 28AWG cable is perfect for crowded spaces inside a rack unit or limited spaces
- Lifetime Warranty

LENGTH	GRAY	BLUE	BLACK	GREEN	RED	YELLOW	ORANGE	PURPLE	WHITE	PINK
6in	01084	01071	01097	—	—	—	—	—	—	—
1ft	01085	01072	01098	01160	01165	01170	01175	01180	01185	01190
1½ft	01086	01073	01099	—	—	—	—	—	—	—
2ft	01087	01074	01100	—	—	—	—	—	—	—
2½ft	01088	01075	01101	—	—	—	—	—	—	—
3ft	01089	01076	01102	01161	01166	01171	01176	01181	01186	01191
4ft	01090	01077	01103	—	—	—	—	—	—	—
5ft	01091	01078	01104	01162	01167	01172	01177	01182	01187	01192
6ft	01092	01079	01105	—	—	—	—	—	—	—
7ft	01093	01080	01106	01163	01168	01173	01178	01183	01188	01193
8ft	01094	01081	01107	—	—	—	—	—	—	—
9ft	01095	01082	01108	—	—	—	—	—	—	—
10ft	01096	01083	01109	01164	01169	01174	01179	01184	01189	01194

\*Note: This patch cable does not meet the recommend conductor size, 22-26AWG, requirement of ANSI/TIA-568-C.2. Attenuation is increased due to the smaller 28A WG conductors.

## ELECTRICAL SPECIFICATIONS

- Conductor DC Resistance: 9.38Ω/100m (maximum)
- Impedance: 100Ω
- Capacitance: 5600pf/100m
- Propagation Delay: 545ns/100m (maximum)
- Delay Skew: 45ns/100m (maximum)

## PHYSICAL SPECIFICATIONS

- Wiring Scheme: T568B
- Temperature Rating: 75°C
- Voltage Rating: 30V
- Approvals: CE
- Warranty: Lifetime
- Package Type: Polybag

## CONDUCTOR (4 PAIR)

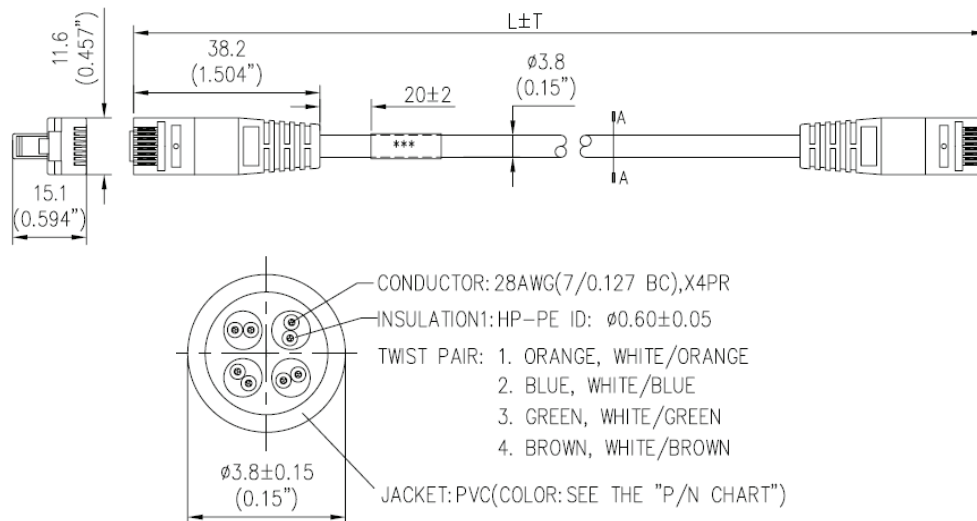
- Conductor Type: 248AWG (7/0.16 BC)
- Insulation: FM-PE ID:  $\varnothing.60\pm 0.05$
- Twist Pair: White/Orange, Blue, White/Blue, Green, White/Green, Brown, White/Brown

## CONNECTOR TYPE (QTY. 2)

- Connector Type: 8P8C (RJ45)
- Gender: Male
- Contact Material: Gold Plated 50μ
- Hood Material: Molded PVC, UL94V-0

## OVERALL CABLE

- Jacket: PVC
- Outer Diameter:  $3.8 \pm 0.15\text{mm}$



A brand of **legrand**

LEGRAND | AV COMMERCIAL BRANDS

C2G | Chief | Da-Lite | Luxul | Middle Atlantic | Vaddio | Wiremold

## SIMPLIFIED CONNECTIVITY

USA 800.506.9607 | c2g.com | legrandav.com | customer-service@c2g.com

EMEA +31 495 580 840 | c2g.com/uk | legrandav.com | c2g.emea@av.legrand.com

©2022 Legrand AV Inc. 220631 Rev A 9/22 C2G is a registered trademark of Legrand AV Inc. All other brand names or marks are used for identification purposes and are trademarks of their respective owners. All patents are protected under existing designations. Other patents pending.