



DATA SHEET

Cat5e Non-Booted Network Patch Cables

For network adapters, hubs, switches, routers, DSL/cable modems, patch panels and other networking applications that will handle bandwidth intensive applications up to 350MHz.

OVERVIEW

For fast Ethernet networks that require bandwidth-intensive voice, data, or video distribution applications. Meets all Cat5e TIA/EIA standards, and drastically reduces both impedance and structural return loss (SRL). Each of the individual pairs is bonded together to help maintain the twist-spacing throughout the line right up to the termination point. Constructed from high quality copper cable, this design minimizes Near-End Crosstalk (NEXT) levels. Available in a variety of colors to easily color-code your network installation.

FEATURES

- Designed for network adapters, hubs, switches, routers and more
- Constructed with unshielded twisted pair wires
- Available in 10 colors to color-code a network
- Available in lengths up to 150ft
- CMG In-Wall Rated Jacket

CAT5E NON-BOOTED UNSHIELDED (UTP) NETWORK PATCH CABLES

	Grey	Blue	Black	Green	Red	Yellow	Orange	Purple	White	Pink
6in	—	—	—	—	—	—	00947	—	—	—
1ft	24959	25462	26374	—	—	25623	00565	—	27976	—
2ft	24960	25151	00528	—	—	24669	—	00587	—	—
3ft	22672	22673	22677	—	22675	22676	—	—	—	00619
4ft	00513	—	00529	—	—	—	—	00589	—	—
5ft	22678	22679	22683	—	—	22682	—	—	—	—
7ft	22684	26685	22689	—	—	22688	—	—	—	—
9ft	—	—	00532	—	—	—	—	—	—	—
10ft	22690	22691	22695	—	—	22694	—	—	—	00626
12ft	00517	—	—	—	—	—	—	—	—	—
15ft	22010	22709	22708	—	00552	00561	—	—	—	—
20ft	—	—	—	—	—	—	00578	—	—	—
25ft	22702	22703	22707	—	—	22706	—	—	23803	—
30ft	—	00526	—	—	00554	—	00580	—	—	—
35ft	—	—	—	25038	25037	25039	—	—	—	—
50ft	24392	24393	24395	—	24396	—	—	—	23796	—
75ft	24398	24399	24401	—	—	24403	—	—	22160	—
100ft	24702	22161	26972	—	—	22164	—	—	23799	—
150ft	24636	00527	00536	—	—	—	00585	—	00616	—

ELECTRICAL CHARACTERISTICS

- Conductor DC Resistance: 9.38Ω/100m (maximum)
- Impedance: 100Ω
- Capacitance: 5600pf/100m
- Propagation Delay: 545ns/100m (maximum)
- Delay Skew: 45ns/100m (maximum)

PHYSICAL CHARACTERISTICS

- Wiring Scheme: T568B
- Temperature Rating: 60°C
- Voltage Rating: 30V
- Approvals: CE
- Warranty: Lifetime
- Package Type: Polybag

CONDUCTOR (4 PAIR)

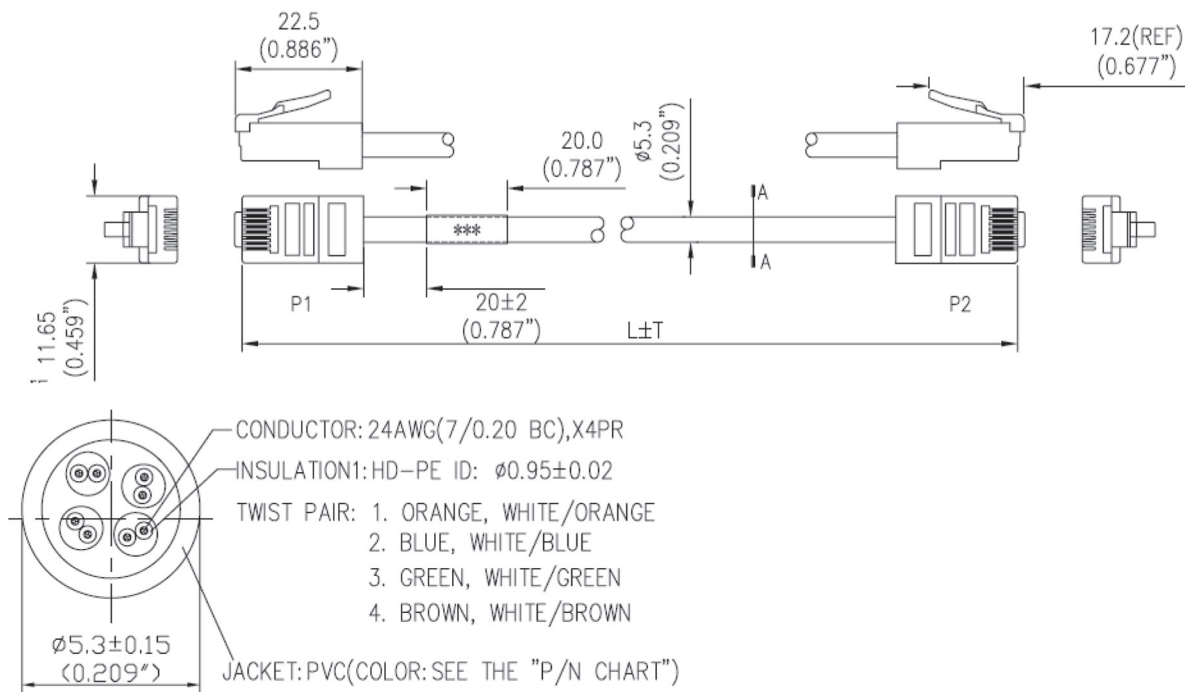
- Conductor: 24AWG (7 /0.20 BC)
- Insulation: HD-PE ID: 00.95±0.02
- Twist Pair: Orange, White/Orange, Blue, White/Blue, Green, White/Green, Brown, White/Brown

CONNECTOR TYPE (QTY 2)

- Connector Type: 8P8C (RJ45)
- Gender: Male
- Contacts: Gold Plated 50μ

OVERALL CABLE

- Jacket: PVC
- Outer Diameter: 5.3±0.15



A brand of **legrand**

LEGRAND | AV COMMERCIAL BRANDS

C2G | Chief | Da-Lite | Luxul | Middle Atlantic | Vaddio | Wiremold

SIMPLIFIED CONNECTIVITY

USA 800.506.9607 | c2g.com | legrandav.com | customer-service@c2g.com

EMEA +31 495 580 840 | c2g.com/uk | legrandav.com | c2g.emea@av.legrand.com

©2022 Legrand AV Inc. 220650 Rev A 10/22 C2G is a registered trademark of Legrand AV Inc. All other brand names or marks are used for identification purposes and are trademarks of their respective owners. All patents are protected under existing designations. Other patents pending.