

DATA SHEET



HDMI® and 3.5mm Audio Pass Through Decorative Wall Plate

Complete an in-wall HDMI, USB and Stereo Audio cabling installation with this wall plate featuring flexible HDMI, USB and 3.5mm pigtails

OVERVIEW

The HDMI, USB and 3.5mm Audio Pass Through Decorative Wall Plate is perfect for the transition to in-wall cabling. This solution offers a clean, professional look and is ideal for classrooms, conference rooms and houses of worship.

The HDMI, USB and 3.5mm Audio pass through ports include thin, flexible pigtails that accommodate the tight bend radius required for installations within a standard junction box.

This wall plate is designed for durability and a long life in commercial environments where constant wear and tear causes damage.

FEATURES

- Supports HDMI audio/video signals, USB and Stereo Audio
- Flexible HDMI, USB and 3.5mm pigtails for easy installation in a wall box
- Fits standard electrical boxes
- Compatible with decorative trim plates

ITEM DESCRIPTION

39873 HDMI and 3.5mm Audio Pass Through Decorative Wall Plate - White

DATA SHEET

SPECIFICATIONS:

HDMI and 3.5mm Audio Pass Through Decorative Wall Plate

ELECTRICAL SPECIFICATIONS:

Voltage Rating: 30V

- Nominal Capacitance: 58PF/M
- Conductor Resistance: @ 20°C max, 30AWG: 376.96[OHM]/KM
- Insulation Resistance: 10M[OHM]/km @ 20°C DC 500V
- Attenuation:
 - @ 0.30~825MHz 5dB/3.0M
 - @ 825~2475MHz 12dB/3.0M
 - @ 2475~4125MHz 20dB/3.0M
 - @ 4125~5100MHz 25dB/3.0M

USB Electrical Specifications:

- Voltage Rating: 30V
- Conductor Resistance: @ 20°C max, 28AWG: 232[OHM]/KM; 24AWG: 93.25[OHM]/KM
- Insulation Resistance: 10M[OHM]/km @ 20°C DC 500V
- Time Delay: 5.2ns/m (max)
- Impedance: 90±15%[OHM]
- Propagation Delay Skew: 100ps (Full-/High-speed only)
- Attenuation: (Full-/High-speed only)
- Differential Impedance: cable@200ps Tr(10-90%) 90±7[OHM]
- Intra-Pair Skew: 15ps/m@200ps Tr(10-90%)
- Attenuation/Insertion Loss:
 - 1.5dB/2M@0.1GHz
 - 5.0dB/2M@1.25GHz
 - 7.5dB/2M@2.5GHz
 - 25dB/2M@7.5GHz
- Differential to Common mode(max): 20dB/cable@0.1~7.5GHz
- Next: 32dB@0.1GHz 32dB@2.5GHz 23dB@3.0GHz 23dB@7.5GHz

PHYSICAL SPECIFICATIONS:

- Jacket: Black PVC
- HDMI Jacket Thickness: 0.51mm
- HDMI Minimum Bend radius: 30mm
- USB Jacket Thickness: 0.38mm Min AVG
- USB Minimum Bend radius: R47mm
- Approvals: CE and conforms to 2011/65/EU ROHS 2

Conductor (2 Conductors, 5 Pair):

- Conductor: 30AWG(7/0.10TC)X5PR
- Insulation: FM-PE, ID: 0.75±0.05mm
- Color: Brown/White, Red/White, Orange/White, Green/White, Blue/White
- Drain: 30AWG(7/0.10TC)X5
- Shield: AL Foil WrapX5
- Braid: (16/5/0.08TC)X5

Conductor (4 Conductors):

- Conductor: 30AWG(7/0.10TC)X4C
- Insulation: PP, ID: 0.55±0.05mm
- Color: Red/Yellow/Orange/White
- Drain: 30AWG(7/0.10TC)
- Shield: AL Foil Wrap

Conductor (2 Conductors):

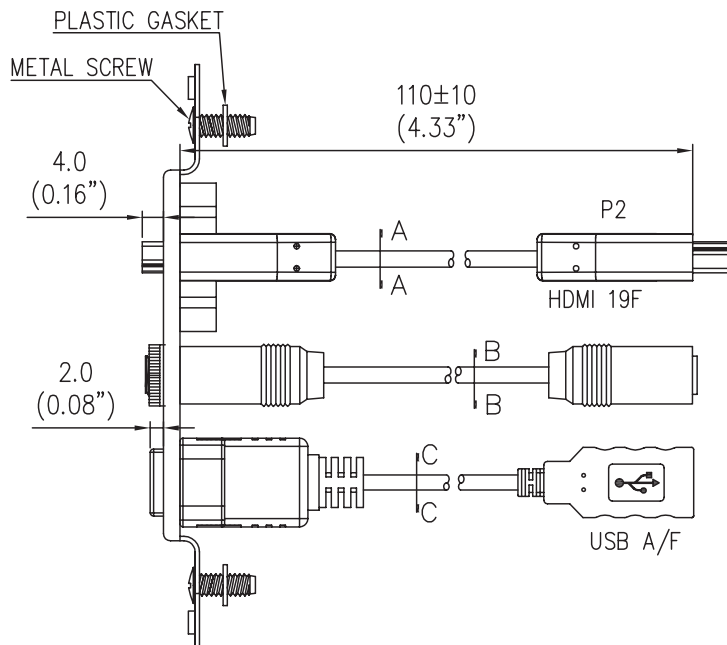
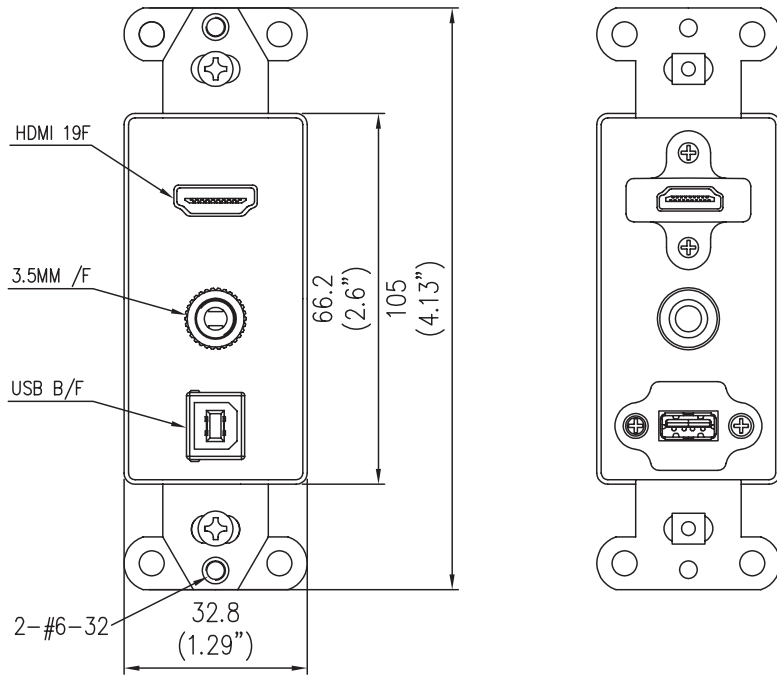
- Conductor: 24AWG(7/0.2TC)X2
- Insulation: SR-PVC ID: 0.23±0.05
- Color: Red/Black

Conductor (2 Conductors, 1 Pair):

- Conductor: 28AWG(7/0.127TC)X2
- Insulation: HD-PE, ID: 0.90±0.05mm(Green/White)
- Drain: 28AWG(7/0.127TC)
- Shield 1: AL Foil Wrap
- Shield 2: Braid(16*5/0.10TC)
- [B]Conductor (2 Conductors):[B]
- Conductor: 26AWG(7/0.16TA)X2C
- Insulation: SR-PVC ID: 1.0±0.05
- Color: Black/White
- Shield: AL Foil Wrap
- Drain: 24AWG(7/0.20TA)

DATA SHEET

SPECIFICATIONS: HDMI and 3.5mm Audio Pass Through Decorative Wall Plate



C2G
A brand of **legrand**

3555 Kettering Blvd.
Moraine, OH 45439
Phone: 800.CABL.911
www.c2g.com

Follow Us

