

DATA SHEET



50ft Active High Speed HDMI® Cable 4K 60Hz - In-Wall CL3-Rated

Extend HDMI signals over an active HDMI cable and support HDMI features including 4K at 60Hz, 3D video, and Deep Color

OVERVIEW

These Active High Speed HDMI Cables are the perfect solution for experiencing resolutions up to 4K60 (3840x2160p), bandwidths up to 18Gbps, HDR for higher contrast ratios and vivid colors, plus 32 uncompressed digital audio channels to provide crystal-clear sound-making them ideal for classrooms, conference rooms, houses of worship, and other commercial environments.

These cables are designed to exceed the highest measure of HDMI performance and will enhance video experiences with higher resolutions, increased speeds, sharper images and are backward compatible with previous HDMI specifications for existing HDMI devices. They have a built-in signal booster that supports HDMI A/V connections at longer distances than non-active cables and this cable does not require an external power adapter. They also deliver dual video streams, so that two videos can be viewed simultaneously on a single display.

Note: Active High Speed HDMI Cables are directional cables that require the connector labeled HDMI installed at the source device and connector labeled TV to be installed to the display.

Note: Your display must support Multi-View in order to take advantage of dual video streams.

FEATURES

- CL3-rated jacket for in-wall installations
- Supports resolutions up to 4096 x 2160 (4K x 2K) at 60hz 4:4:4, including 3D and dual video streams (Dual View)
- Data speeds up to 18.0Gbps
- Supports full HD Blu-ray and HD DVD video
- Supports 8, 10, 12, & 16bit per channel deep color
- Supports up to 32 audio channels and a 1536kHz audio sampling rate
- Supports DTS-HD Master Audio™, Dolby TrueHD™, DTS, Dolby AC3 & DSD Audio
- Supports extended CEC (Consumer Electronics Control) commands and functions, HDMI Ethernet Channel (100Mbps/s), and ARC (Audio Return Channel)

ITEM DESCRIPTION

41415 50ft Active High Speed HDMI Cable 4K 60Hz - In-Wall CL3-Rated

DATA SHEET

SPECIFICATIONS:

50ft Active High Speed HDMI® Cable 4K 60Hz - In-Wall CL3-Rated

ELECTRICAL SPECIFICATIONS:

- Voltage Rating: 30V
- Signal Bandwidth: 600MHz
- Nominal Velocity of Propagation: 18Gbps
- DC Resistance: 300V
- Dielectric Strength: AC-500V/MIN
- Insulation Resistance: 100M(OHMS*KM Min at 20°C)
- Nominal Attenuation (dB/cable): 300kHz~825MHz<5; 825~2.475GHz<5...<12; 2.475GHz~4.125GHz<12...<20; 4.125GHz~5.1Ghz<20...<25
- HDMI 2.0, full HD Blu-ray Disc & HD DVD video, auto lip-sync, Audio Return Channel(ARC), Dual Video Streams(Dual View), Perceptual Quantizer (PQ) HDR OETF (SMPTE ST 2084), Hybrid Log-Gamma (HLG) HDR OETF, Static HDR metadata (SMPTE ST 2086)
- UHD 4Kx2K@60Hz 4:4:4, resolutions up to 4096 x 2160p [4K x 2K]
- Color Format: Y CbCr 4:4:4, Y CbCr 4:2:2, Y CbCr 4:2:0
- Color Depth: 8, 10, 12, & 16bit per channel deep color
- Color Space: SMPTE 170M, ITU-R BT.601, ITU-R BT.709, sRGB, xvYCC, sYCC, Adobe ycc601, Adobe RGB, ITU-R BT.2020
- DVD Audio, Super Audio CD (DSD), Dolby® True HD, DTS-HD Master Audio, Dolby Digital/Digital Plus, MPCM, DSD, DST, Dolby Atmos, DTS:X
- Maximum Audio Channels: 32
- Up to 1536kHz audio sample frequency for the highest audio fidelity
- HDMI-CEC system control compatibility
- HDMI Ethernet Channel: 100Mbps/s (when used with HDMI Ethernet channel supported source and sync equipment)

PHYSICAL SPECIFICATIONS:

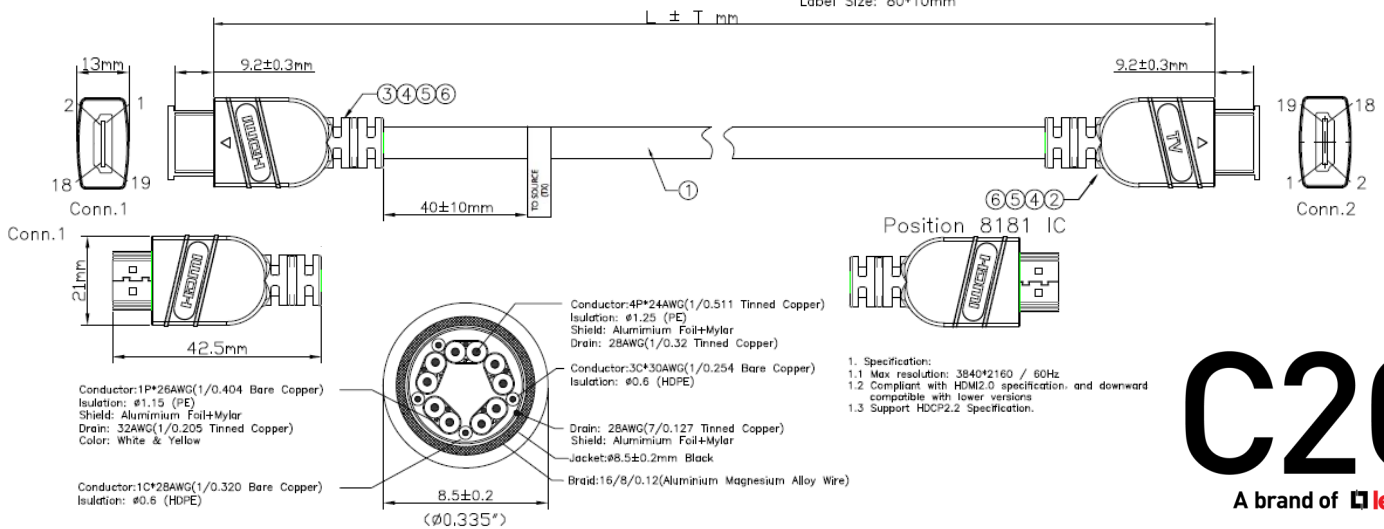
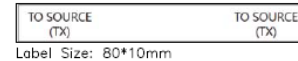
- Operating Temperature: 0°C to +50°C;15-85%RH (Non-Condensing)
- Storage Temperature: -25°C to +85°C;15-85%RH (Non-Condensing)
- 100% Test for Short/Open: 10 OHM Insulation Resistance (300V DC)

PHYSICAL CHARACTERISTICS:

- HDMI A Male: Soldering Type; Gold Plated Contacts; Gold Flash Shell; Hood: Black
- Shield Type/Braid Coverage: 65%
- Shield Braid: 16/8/0.12(Aluminum Magnesium Alloy Wire)
- Jacket Material & Thickness: PVC & 0.51mm
- Drain Wire AWG & Construction: 28AWG & 7/0.127TC
- Minimum Bend Radius: 200mm
- Cable Marking: High Speed HDMI Cable with Ethernet E352299 Type CL3 75°C 24AWG
- Product is CE marked and conforms to 2011/65/EU RoHS2

P/N CHART

41415	75712041415X	50	15.75	15750	±70	±2.76
-------	--------------	----	-------	-------	-----	-------

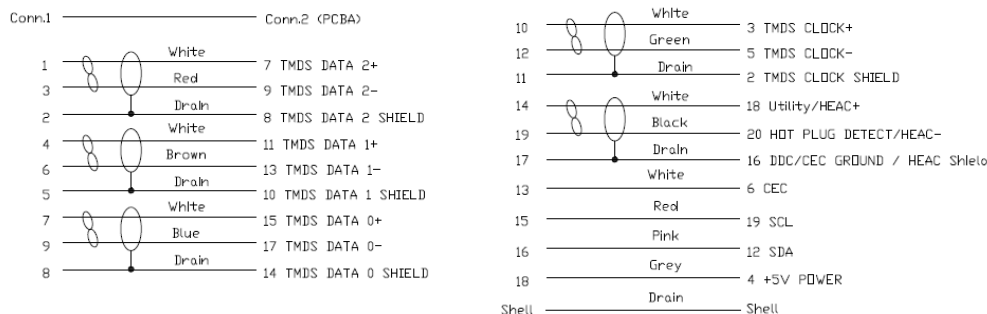


1. Specification:
 - 1.1 Max resolution: 3840*2160 / 60Hz
 - 1.2 Compliant with HDMI2.0 specification, and downward compatible with lower versions
 - 1.3 Support HDCP2.2 Specification.



6500 Poe Avenue
 Dayton, OH 45414
 Phone: 800.CABL.911
 www.c2g.com

SEC A-A SCALE:NTS



Follow Us

