



# EIKI

## PRO V Series

WUXGA Large Venue 3LCD Laser Projector



### PRO V1700

### WUXGA (1920 x 1200)

### High Brightness, High Contrast, High Performance and Maintenance-free LCD Laser Projector

#### High Brightness, High Contrast

The high brightness of 17,000 Lumens and high contrast of 3,000,000:1 enables realistic image reproduction, even in bright projection environment.



#### High Performance and Low maintenance

Newly designed cooling system with sealed optical engine, filter-less design and improve air flow provide high performance. Up to 30,000 hours laser light source and filter-less design, reducing maintenance time and total cost of ownership.

#### Versatile Installation Capability

- Pin cushion/Barrel Correction
- 4 corner / 6 corner Keystone Correction
- 360° Free Orientation



Horizontal 360°



Vertical 360°



Combination of vertical and horizontal



#### Recommended Applications



- Auditoriums
- Large Conference rooms
- Exhibitions / Events
- Museums / Galleries
- Theatres / Halls
- Houses of Worship
- Signages

\*Center Lumens

\*Specifications is subject to change without notice.

EIKI V1700 is our latest 3 LCD projector with laser light source in EIKI's Large venue projector PRO-V Series.

This model offers high brightness, high contrast and high color reproduction with the new 3LCD and laser light optical engine.

Filter less by newly designed cooling system and sealed optical engine provides silent operation, maintenance-free fixed installation.

PRO V series is a versatile installation projector with advance keystone correction (Pin cushion/Barrel, 4-corner, 6-corner), full 360° installation capability and a full suite of optional lenses .

In addition, EIKI V1700 offers brilliant projection image by the new 1.0" LCD panel and high efficiency laser light source.

#### Key Features

- Designed for Heavy-duty use
- Long-life Laser + Phosphor Light Source
- LCD + Laser Optical Engine
- Supports 4K input
- Flexible Installation:
  - 360° free orientation
  - Pin/Barrel, 4/6 point Keystone Correction
  - Edge Blending
  - Lens Shift
- DICOM
- Save Lens Positions
- Lock Lens Position

# PRO V1700

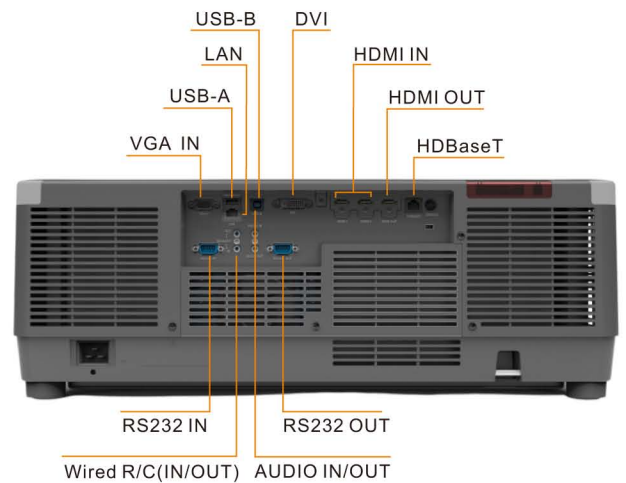
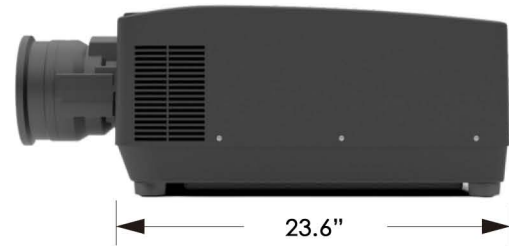
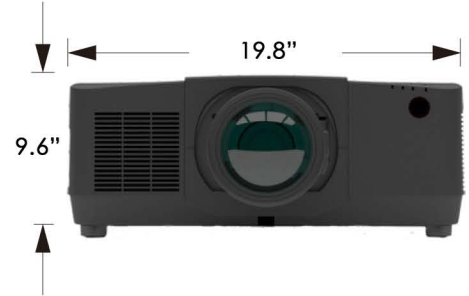
## WUXGA Large Venue 3LCD Laser Projector

# EIKI

### Specifications

Model	PRO V1700	
Display Type	1.0" 3LCD	
Resolution	WUXGA(1920 x 1200)	
Aspect Ratio	16:10	
Brightness	17,000 lumens	
Contrast Ratio	3,000,000:1	
Projection Light source	Laser (Blue) +Phosphor	
Light Source Life	20,000 hours	
Image Diagonal	Depends on lens (See below table)	
Lens (F Value / Focus length)	Depends on lens (See below table)	
Zoom Ratio	Depends on lens (See below table)	
Throw Distance	Depends on lens (See below table)	
Throw Ratio	Depends on lens (See below table)	
Lens Shift (Motorized)	H: +25% ~ -25%, V: +65% ~ -25%	
Keystone Correction	V: +/-30 degree, H: +/-30 degree, 4 Corner, 6 Corner	
Scanning Frequency	H Sync: 15 - 100KHz V Sync: 24 - 85Hz	
Input Signals - Computer	4K (3840 x 2160)-VGA (640 x 480)	
Input Signals - Video	1080i/p, 720i/p, 576i/p, 480i/p	
Terminal	3G-SDI	BNC x 1
	HDBaseT	RJ45 x 1
	HDMI (Ver. 1.4B)	HDMI (IN) x 2
	DVI-D	DVI-D x 1
	VGA	D-sub 15 x1 (IN)
	Audio	3.5mm mini jack x 1 (IN/OUT)
	USB	USB Type A x 1 (5V/1.5A)
	USB	USB Type B x 1 (for service)
	LAN	RJ45 x 1
	RS232	D-sub 9 x1 (IN/OUT)
Remote Control	3.5mm mini jack x 2 (IN/OUT)	
Fan Noise (ECO / Normal)	Normal: 46dB; ECO2: 41dB	
Dimensions (W x H x D)	23.6 x 9.6 x 19.8" (600 x 245 x 503 mm)	
Weight	63.9 lb (29.0 kg) without lens	
Power Requirements	AC 100 -240 V, 50/60 Hz	
Power Consumption (ECO / Normal / Boost)	Boost: 1155W Normal: 1000W ECO1: 825W ECO2: 580W	
Standard Accessories	AC Power Cord, HDMI cable, Remote Control (with AA batteries x 2), Quick Start Guide, Safety Guide	

### Dimensions



### Optional Lenses

Lens	AH-AV22060	AH-AV22070	AH-AV21020	AH-AV21030	AH-AV24010	AH-AV23030
Throw Ratio	0.53-0.65	0.65-0.87	0.86-1.25	1.24-2.01	1.98-3.95	3.95-7.51
Zoom Ratio	x 1.23	x 1.34	x 1.45	x 1.62	x 1.99	x 1.90
Zoom / Focus Adjustment	Motorized	Motorized	Motorized	Motorized	Motorized	Motorized
Screen Size	60"-500"	60"-500"	60"-500"	60"-500"	60"-500"	60"-500"
Lens Spec.	f: 1.94-2.20 FL: 0.47"-0.58"	f: 1.84-2.25 FL: 0.57"-0.75"	f: 1.8-2.24 FL: 0.75"-1.09"	f: 1.8-2.24 FL: 1.09"-1.74"	f: 1.84-2.58 FL: 1.72"-3.39"	f: 1.85-2.41 FL: 3.39"-6.49"
Lens Shift	H: ±20% V: ±50%	H: ±20% V: ±55%	H: ±25% V: ±65%	H: ±25% V: ±65%	H: ±25% V: ±65%	H: ±25% V: ±65%

## Eiki International, Inc.

22552 Avenida Empresa,  
Rancho Santa Margarita, CA 92688

Tel: 800-242-3454  
Email: usa@eiki.com  
Web: www.eiki.com

Specifications subject to change without notice.  
All other trademarks are the property of their respective trademark owners.