

forum™

COLLABORATION SUITE

The Forum™ Table options are a perfect accompaniment to the Forum™ Display Stand for flexible hybrid videoconferencing scenarios to provide meeting equity for all participants.

FEATURES

Forum™ Angle Table Features & Benefits

- Angle shaped table allows for everyone's face to be seen by the remote participants and still easily interact in-person
- 30" Seated Height & 38" Counter Height table base options
- Two table size options: 59" Angle Table for 3-5 people and 90" Angle Table for 5-7 people
- The table surfaces are made from high pressure laminate (HPL); a super durable material that can withstand day-to-day meetings and is easily cleaned after each use
- Select your color and table base color independently to create the perfect table for your space
- Included modesty panel covers internal cable management
- Add optional Wiremold ModPower modular power system for device charging hubs at the users seat



Forum™ 59" Angle Table



Forum™ 90" Angle Table

Forum™ Arc Table Features & Benefits

- The Arc shaped table allows for all in-person participants to directly face the remote participants
- 30" Seated Height & 38" Counter Height table base options
- Designed for 2-3 people
- Connect two Arc tables together for larger groups
- The table surfaces are made from high pressure laminate (HPL); a super durable material that can withstand day-to-day meetings and is easily cleaned after each use
- Select your color and table base color independently to create the perfect table for your space
- Built-in cable management within the table legs and underneath the worksurface for clean lines and no cord clutter
- Included modesty panel covers internal cable management
- Add optional Wiremold ModPower modular power system for device charging hubs at the users seat



Forum™ Arc Table

Forum™ Rectangle Table Features & Benefits

- Rectangle Table is also perfect for meetings with mostly remote attendees while maintaining meeting equity for those participating in-person
- 30" Seated Height & 38" Counter Height table base options
- Designed for 1-2 people
- Connect to Arc tables to create a larger table for video conferencing
- Can be used in seated or standing height
- The table surfaces are made from high pressure laminate (HPL); a super durable material that can withstand day-to-day meetings and is easily cleaned after each use
- Built-in cable management within the table legs and underneath the worksurface for clean lines and no cord clutter
- Select your color and table base color independently to create the perfect table for your space
- Built-in cable management within the table legs and underneath the work surface for clean lines and no cord clutter
- Included modesty panel covers internal cable management
- Add optional Wiremold ModPower modular power system for device charging hubs at the users seat



Forum™ Rectangle Table

LEGRAND | AV COMMERCIAL BRANDS

C2G | Chief | Da-Lite | Luxul | Middle Atlantic | Vaddio | Wiremold

forum™

COLLABORATION SUITE

SPECIFICATIONS

The Forum Table shall be Middle Atlantic Products model # _____ (refer to chart). The Forum Table shall include a worksurface constructed of 1" thick high pressure laminate. The Forum Angle Table shall be ___" wide and ___" long (refer to drawing) and 30" or 38" from the floor. The Forum Arc Table shall be 87.34" wide and 33" deep and 30" or 38" from the floor. The Forum Rectangle Table shall be 60" wide and 27" deep and 30" or 38" from the floor. The Forum Table shall include integrated cable management on the underside of the worksurface to route cables. Steel components shall be warranted to be free from defects in material or workmanship under normal use and conditions for 25 years. High Pressure Laminate components shall be warranted to be free from defects in material or workmanship under normal use and conditions for a period of 10 years. The Forum Angle, Rectangle and Arc Tables shall be manufactured by an ISO 9001 and ISO 14001 registered company.

For specifications on the acoustic felt made from polyethylene terephthalate (PET) please visit <https://www.focalpointlights.com/reference>

EIA/TIA COMPLIANT

ISO 9001 and ISO 14001

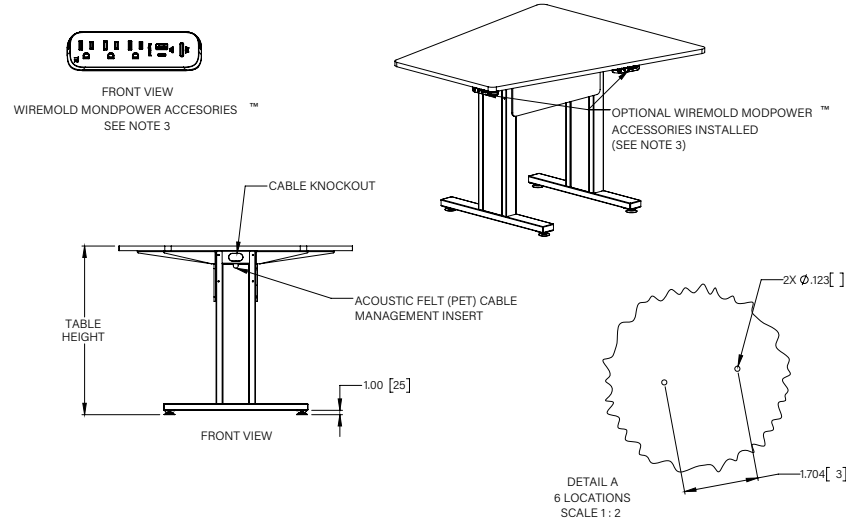
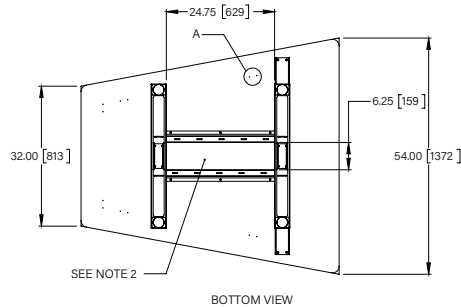
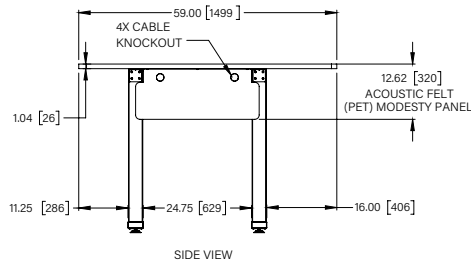
LEGRAND | AV COMMERCIAL BRANDS

C2G | Chief | Da-Lite | Luxul | Middle Atlantic | Vaddio | Wiremold



SPECIFICATIONS

NOTE(S):
 1. ALL DIMENSIONS SHOWN IN FORMAT:
 INCHES [MILLIMETERS]
 2. THIS AREA AVAILABLE FOR CUSTOM TABLEBOX CUTOUT;
 CONTACT CUSTOMER CARE
 3. OPTIONAL WIREMOLD MODPOWER™ ACCESSORIES;
 START: MDSA10-WH CENTER: MDCA3-WH END: MDEA3-WH
 3FT EXTENSION CABLE, PN: MDJ36BK AVAILABLE
 SEE DETAIL A FOR PRE-DRILLED MOUNTING PATTERN/LOCATIONS
 MAXIMUM DISTANCE BETWEEN UNITS: 72.00 [1828]

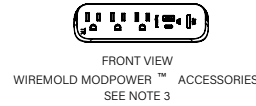
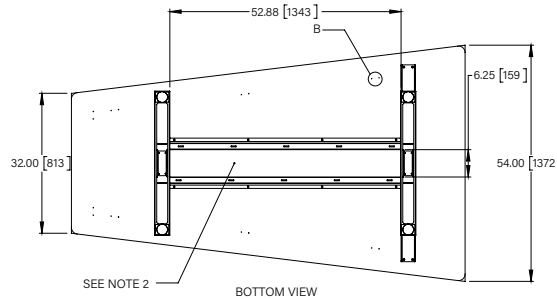
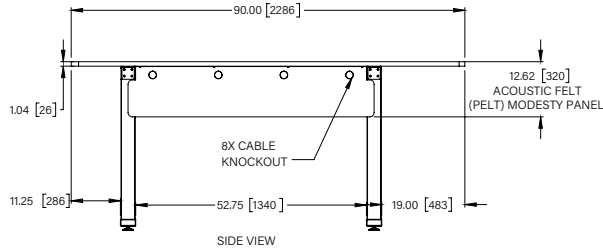


PART NUMBER	TABLE FRAME KIT PART NUMBER	TABLE TOP PART NUMBER	TABLE HEIGHT	TABLE TOP COLOR	ACOUSTIC FELT (PET) COLOR	FRAME COLOR	RECOMMENDED NUMBER OF SEATS
FM-TAN-0595430-A3B	FM-TFR-2430-B	FM-TAN-TOP05954-A3	30.54[776]	ASIAN NIGHT	CHARCOAL GRAY	BLACK	3-5
FM-TAN-0595430-D8W	FM-TFR-2430-W	FM-TAN-TOP05954-D8		DESIGNER WHITE	SILVER GRAY	WHITE	
FM-TAN-0595438-A3B	FM-TFR-2438-B	FM-TAN-TOP05954-A3	38.54[979]	ASIAN NIGHT	CHARCOAL GRAY	BLACK	
FM-TAN-0595438-D8W	FM-TFR-2438-W	FM-TAN-TOP05954-D8		DESIGNER WHITE	SILVER GRAY	WHITE	
FM-TAN-0595430-A3W	FM-TFR-2430-W	FM-TAN-TOP05954-A3	30.54[776]	ASIAN NIGHT	SILVER GRAY	WHITE	
FM-TAN-0595430-D8B	FM-TFR-2430-B	FM-TAN-TOP05954-D8		DESIGNER WHITE	CHARCOAL GRAY	BLACK	
FM-TAN-0595438-A3W	FM-TFR-2438-W	FM-TAN-TOP05954-A3	38.54[979]	ASIAN NIGHT	SILVER GRAY	WHITE	
FM-TAN-0595438-D8B	FM-TFR-2438-B	FM-TAN-TOP05954-D8		DESIGNER WHITE	CHARCOAL GRAY	BLACK	

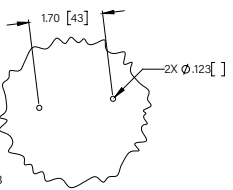
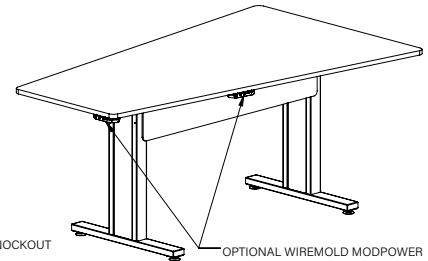
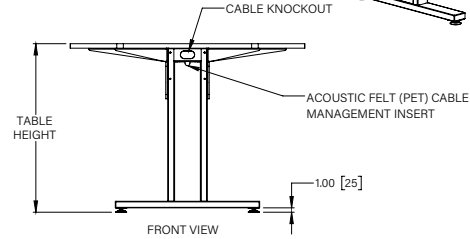
LEGRAND | AV COMMERCIAL BRANDS
 C2G | Chief | Da-Lite | Luxul | Middle Atlantic | Vaddio | Wiremold

SPECIFICATIONS

NOTE(S):
 1. ALL DIMENSIONS SHOWN IN FORMAT:
 INCHES [MILLIMETERS]
 2. THIS AREA AVAILABLE FOR CUSTOM TABLEBOX CUTOUT;
 CONTACT CUSTOMER CARE
 3. OPTIONAL WIREMOLD MODPOWER™ ACCESSORIES;
 START: MDSA10-WH CENTER: MDCA3-WH END: MDEA3-WH
 3FT EXTENSION CABLE, PN: MDJ36BK AVAILABLE
 SEE DETAIL B FOR PRE-DRILLED MOUNTING PATTERN/LOCATIONS
 MAXIMUM DISTANCE BETWEEN UNITS: 72.00 [1828]



FRONT VIEW
 WIREMOLD MODPOWER™ ACCESSORIES
 SEE NOTE 3



DETAIL B
 8 LOCATIONS
 SCALE 1:2

PART NUMBER	TABLE FRAME KIT PART NUMBER	TABLE TOP PART NUMBER	TABLE HEIGHT	TABLE TOP COLOR	ACOUSTIC FELT (PET) COLOR	FRAME COLOR	RECOMMENDED NUMBER OF SEATS
FM-TAN-0905430-A3B	FM-TFR-5230-B	FM-TAN-TOP09054-A3	30.54[776]	ASIAN NIGHT	CHARCOAL GRAY	BLACK	5-7
FM-TAN-0905430-D8W	FM-TFR-5230-W	FM-TAN-TOP09054-D8	38.54[979]	DESIGNER WHITE	SILVER GRAY	WHITE	
FM-TAN-0905438-A3B	FM-TFR-5238-B	FM-TAN-TOP09054-A3	38.54[979]	ASIAN NIGHT	CHARCOAL GRAY	BLACK	
FM-TAN-0905438-D8W	FM-TFR-5238-W	FM-TAN-TOP09054-D8	30.54[776]	DESIGNER WHITE	SILVER GRAY	WHITE	
FM-TAN-0905430-A3W	FM-TFR-5230-W	FM-TAN-TOP09054-A3	30.54[776]	ASIAN NIGHT	SILVER GRAY	BLACK	
FM-TAN-0905430-D8B	FM-TFR-5230-B	FM-TAN-TOP09054-D8	38.54[979]	DESIGNER WHITE	CHARCOAL GRAY	BLACK	
FM-TAN-0905438-A3W	FM-TFR-5238-W	FM-TAN-TOP09054-A3	38.54[979]	ASIAN NIGHT	SILVER GRAY	WHITE	
FM-TAN-0905438-D8B	FM-TFR-5238-B	FM-TAN-TOP09054-D8		DESIGNER WHITE	CHARCOAL GRAY	BLACK	

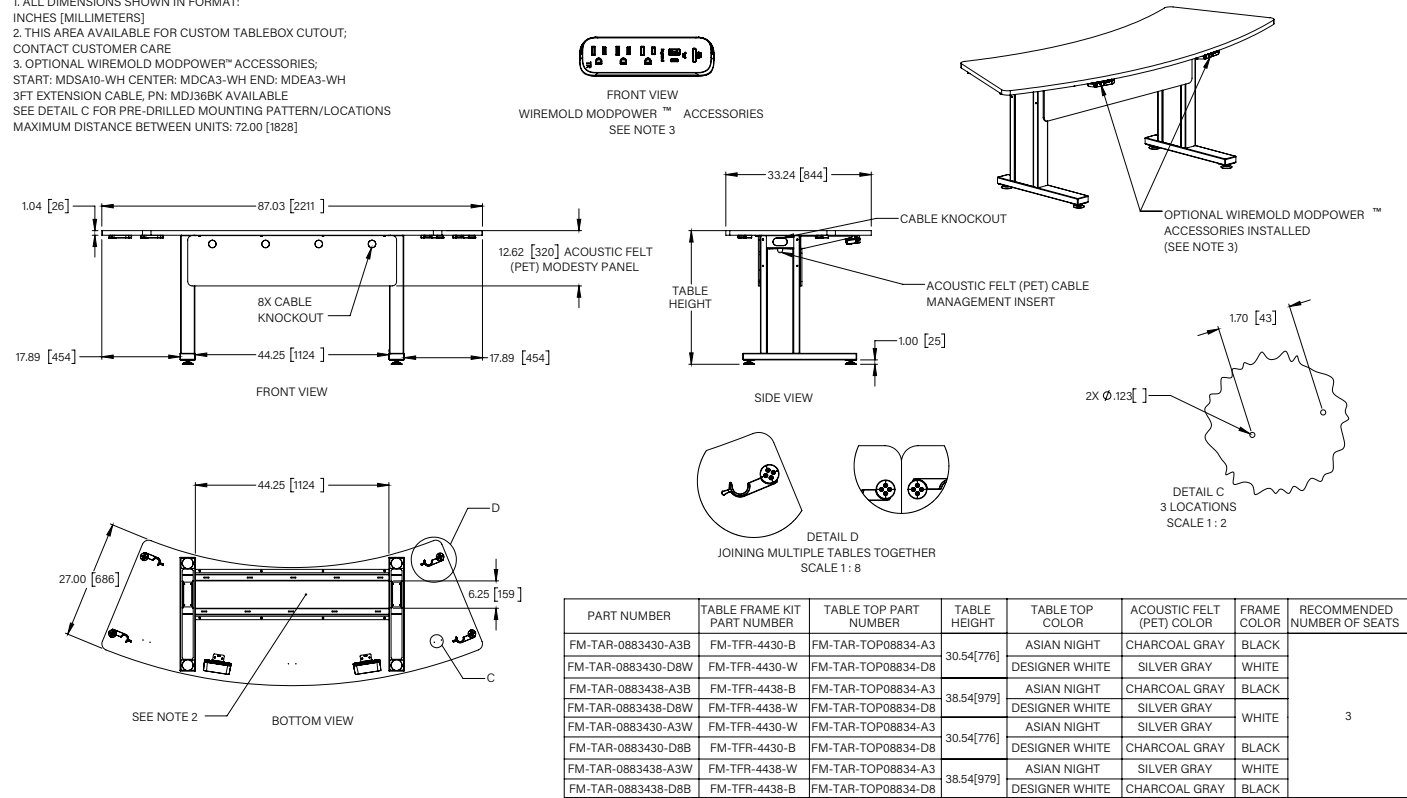
LEGRAND | AV COMMERCIAL BRANDS

C2G | Chief | Da-Lite | Luxul | Middle Atlantic | Vaddio | Wiremold



SPECIFICATIONS

NOTE(S):
 1. ALL DIMENSIONS SHOWN IN FORMAT:
 INCHES [MILLIMETERS]
 2. THIS AREA AVAILABLE FOR CUSTOM TABLEBOX CUTOUT;
 CONTACT CUSTOMER CARE
 3. OPTIONAL WIREMOLD MODPOWER™ ACCESSORIES;
 START: MDSA10-WH CENTER: MDCA3-WH END: MDEA3-WH
 3FT EXTENSION CABLE, PN: MDJ36BK AVAILABLE
 SEE DETAIL C FOR PRE-DRILLED MOUNTING PATTERN/LOCATIONS
 MAXIMUM DISTANCE BETWEEN UNITS: 72.00 [1828]



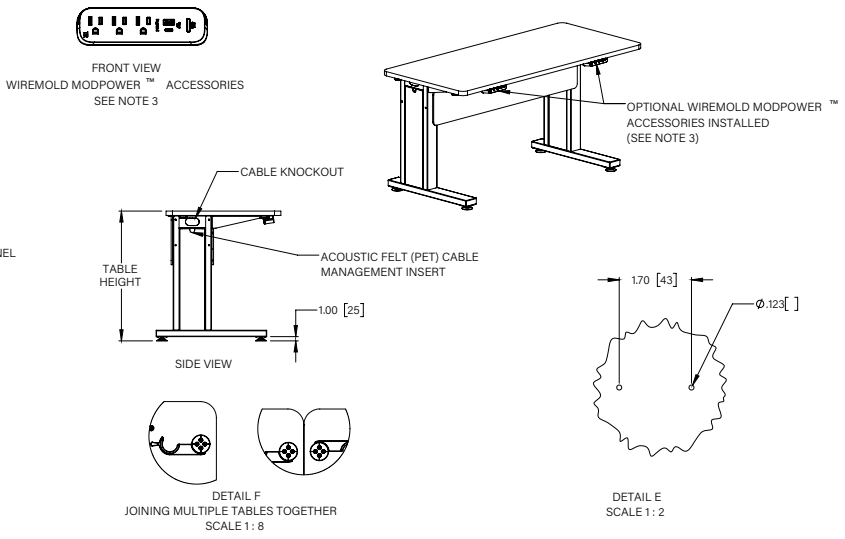
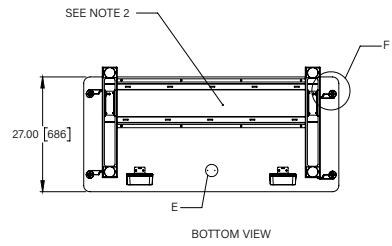
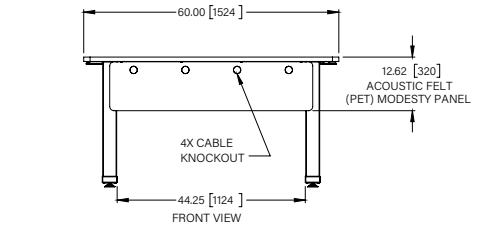
LEGRAND | AV COMMERCIAL BRANDS

C2G | Chief | Da-Lite | Luxul | Middle Atlantic | Vaddio | Wiremold



SPECIFICATIONS

NOTE(S):
 1. ALL DIMENSIONS SHOWN IN FORMAT:
 INCHES [MILLIMETERS]
 2. THIS AREA AVAILABLE FOR CUSTOM TABLEBOX CUTOUT;
 CONTACT CUSTOMER CARE, TABLETOP NOT FIELD MODIFIABLE
 3. OPTIONAL WIREMOLD MODPOWER™ ACCESSORIES;
 START: MDSA10-WH CENTER: MDCA3-WH END: MDEA3-WH
 SEE DETAIL E FOR PRE-DRILLED MOUNTING PATTERN/LOCATIONS
 MAXIMUM DISTANCE BETWEEN UNITS: 72.00 [1828]



PART NUMBER	TABLE FRAME KIT PART NUMBER	TABLE TOP PART NUMBER	TABLE HEIGHT	TABLE TOP COLOR	ACOUSTIC FELT (PET) COLOR	FRAME COLOR	RECOMMENDED NUMBER OF SEATS
FM-TRE-0602730-A3B	FM-TFR-4430-W	FM-TRE-TOP06027-A3	30.54[776]	ASIAN NIGHT	CHARCOAL GRAY	BLACK	2
FM-TRE-0602730-D8W	FM-TFR-4430-W	FM-TRE-TOP06027-D8	38.54[979]	DESIGNER WHITE	SILVER GRAY	WHITE	
FM-TRE-0602738-A3B	FM-TFR-4438-B	FM-TRE-TOP06027-A3		ASIAN NIGHT	CHARCOAL GRAY	BLACK	
FM-TRE-0602738-D8W	FM-TFR-4438-W	FM-TRE-TOP06027-D8	30.54[776]	DESIGNER WHITE	SILVER GRAY	WHITE	
FM-TRE-0602730-A3W	FM-TFR-4430-W	FM-TRE-TOP06027-A3		ASIAN NIGHT	SILVER GRAY		
FM-TRE-0602730-D8B	FM-TFR-4430-B	FM-TRE-TOP06027-D8	38.54[979]	DESIGNER WHITE	CHARCOAL GRAY	BLACK	
FM-TRE-0602738-A3W	FM-TFR-4438-W	FM-TRE-TOP06027-A3		ASIAN NIGHT	SILVER GRAY	WHITE	
FM-TRE-0602738-D8B	FM-TFR-4438-B	FM-TRE-TOP06027-D8		DESIGNER WHITE	CHARCOAL GRAY	BLACK	

LEGRAND | AV COMMERCIAL BRANDS

C2G | Chief | Da-Lite | Luxul | Middle Atlantic | Vaddio | Wiremold

WHAT GREAT SYSTEMS ARE BUILT ON™ | legrandav.com

USA 800.266.7225 av.middleatlantic.support@legrand.com CANADA 888.766.9770 av.middleatlantic.support@legrand.com

©2022 Legrand AV Inc. 220761_120-00038 Rev A 11/22 Middle Atlantic is a registered trademark of Legrand AV Inc. All other brand names or marks are used for identification purposes and are trademarks of their respective owners. All patents are protected under existing designations. Other patents pending.