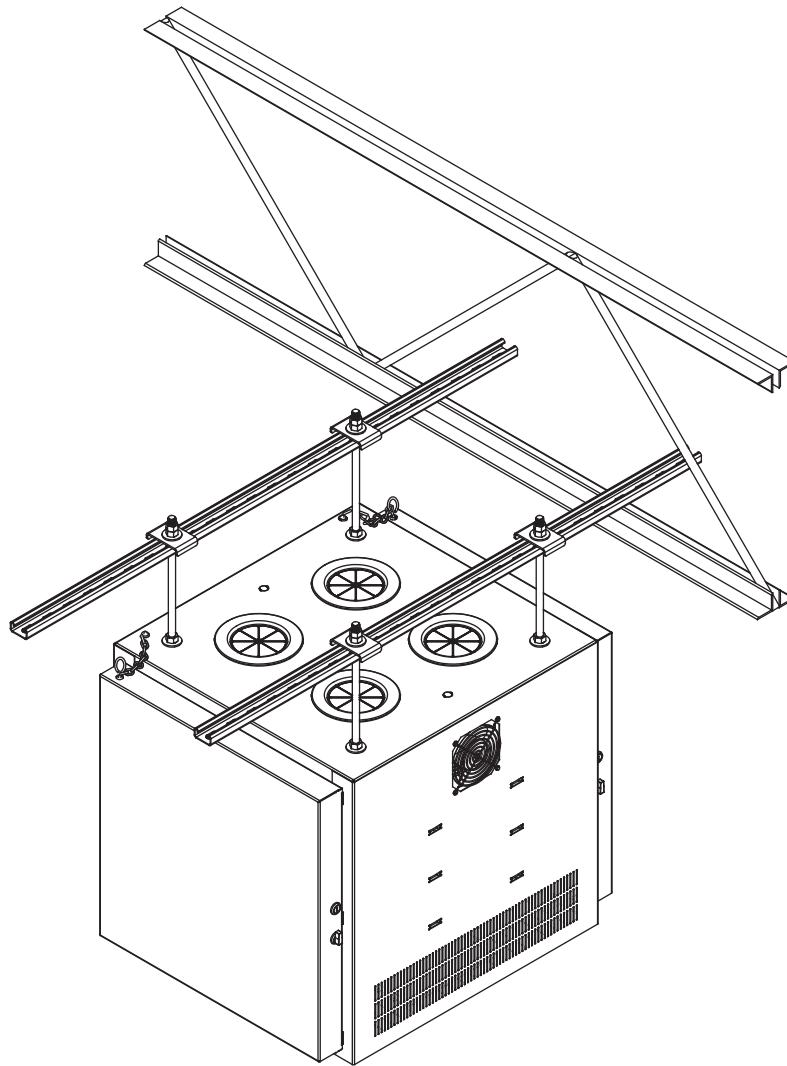


INSTRUCTION SHEET  
**IDF SERIES**  
INTERMEDIATE DISTRIBUTION RACK



**WARNING!** Failure to install the IDF Series Intermediate Distribution Rack according to instructions could result in serious injury or death.

**AVERTISSEMENT!** Ne pas installer la distribution rack IDF collection Intermediate selon les instructions peut entraîner des blessures graves ou la mort .

**THANK YOU**

Thank you for purchasing the IDF Series Intermediate Distribution Rack. Please read these instructions thoroughly before installing / assembling this product.

**PRODUCT FEATURES**

- Mounts equipment overhead in large, open area locations
- Features a removable aluminum plate that can be machined to hold wireless antennae, dome cameras and more
- Hangs from ceiling truss or unistrut to provide flexible installation options

## WARNINGS / NOTES

### WARNING / AVERTISSEMENT



#### **MECHANICAL LOADING**

To avoid a potential hazardous unbalanced condition, equipment should be installed so that the weight is evenly distributed. The maximum weight capacity is 150lbs (68kg).

#### **CHARGEMENT MÉCANIQUE**

Pour éviter un état de déséquilibre potentiellement dangereux , le matériel devrait être installé de telle sorte que le poids est réparti uniformément . La capacité de poids maximum est de 68kg (150lbs).

### WARNING / AVERTISSEMENT



#### **REDUCED AIR FLOW**

Installation of the equipment in a rack should be such that the amount of air flow required for safe operation of the equipment is not compromised.

#### **DÉBIT D'AIR RÉDUIT**

Montage de l'équipement dans un rack doit être telle que la quantité de débit d'air nécessaire au bon fonctionnement de l'équipement ne est pas compromise.

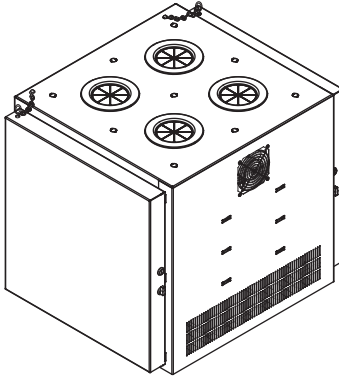
## NOTES

#### **ELEVATED OPERATING AMBIENT**

If installed in a closed or multi-unit rack assembly, the operating ambient temperature of the rack environment may be greater than room ambient. Therefore, consideration should be given to installing the equipment in an environment compatible with the maximum ambient temperature (T<sub>ma</sub>) specified by the manufacturer.

**PARTS**

**IDF-TM-xx24BK**

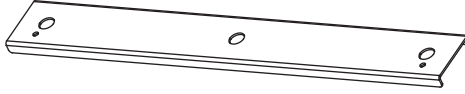


**QTY**  
1

**PART**  
A

**TWO POINT MOUNTING BRACKET**

(Comes installed as shipping brace)

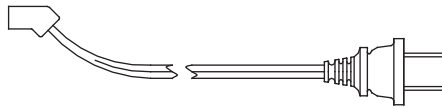


**QTY**  
1

**PART**  
B

**HARDWARE KIT 91-00161**

**FAN CORD**



**QTY**  
2

**PART**  
C

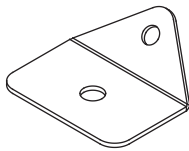
**SAFETY LANYARD**



**QTY**  
1

**PART**  
D

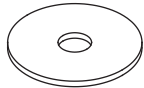
**LANYARD BRACKET**



**QTY**  
2

**PART**  
E

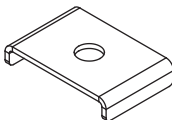
**MOUNTING WASHER**



**QTY**  
4

**PART**  
F

**TRUSS BRACKET**



**QTY**  
4

**PART**  
G

**HARDWARE KIT 91-00160**

**1/2-13 X 1-1/4 BOLT**



**QTY**  
2

**PART**  
H

**1/2-13 NUT**



**QTY**  
2

**PART**  
J

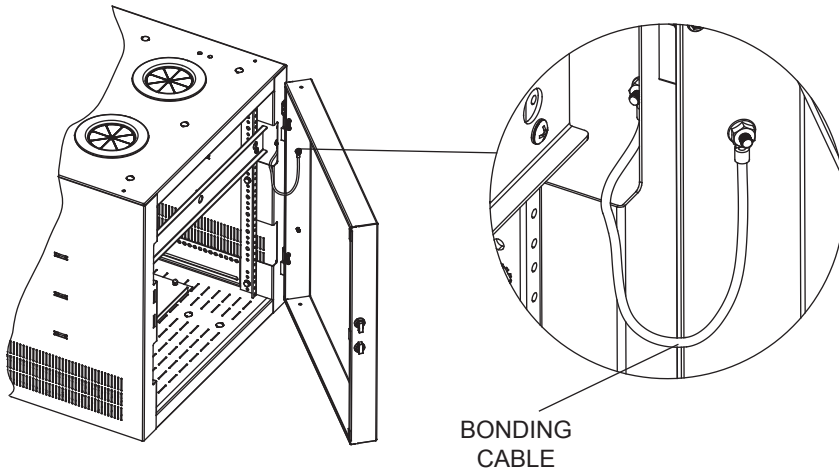
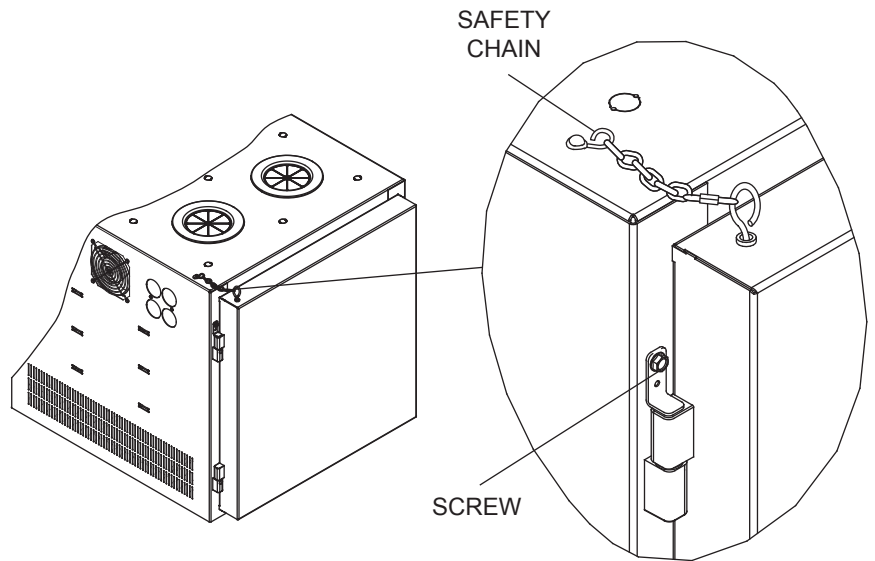
**IMPORTANT NOTES**

- Customer supplies all other mounting hardware.
- All nuts, washers, threaded rods (or bolts) must be 1/2".

## PRODUCT FEATURES

Doors are removable.

- Using a 5/16" wrench, remove the screw from hinge stop bracket.
- Detach the safety chain from the eye-bolt on the door.
- Using a 5/16" wrench, remove the Bonding Cable from the door.

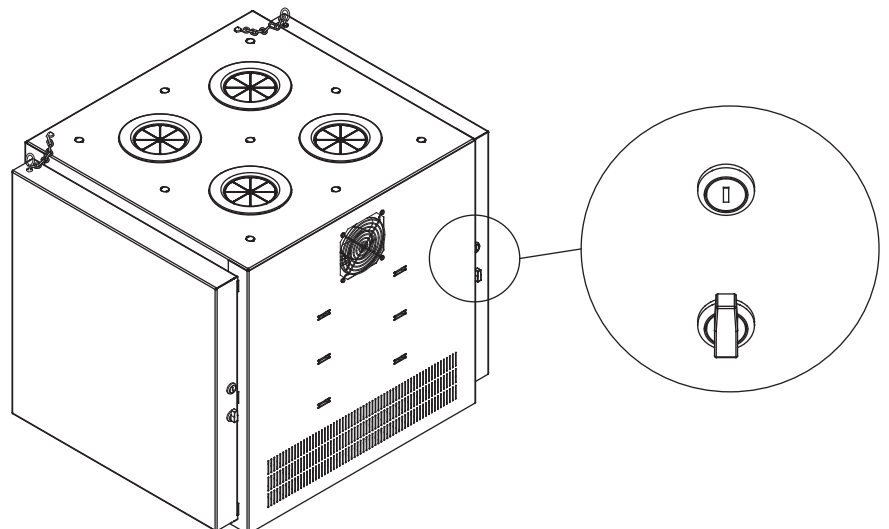


**⚠ CAUTION!** Bonding cable must be reattached to maintain UL listing.

**ATTENTION!** Câble de masse doit être unattaché à maintenir UL listed.

Latching and locking solid front and rear doors.

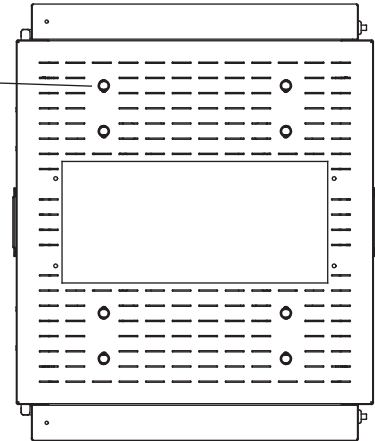
- Enclosure comes with two keys



## PRODUCT FEATURES

Eight UHF/VHF antenna knockouts located in the bottom of the enclosure.

UHF/VHF  
KNOCKOUTS

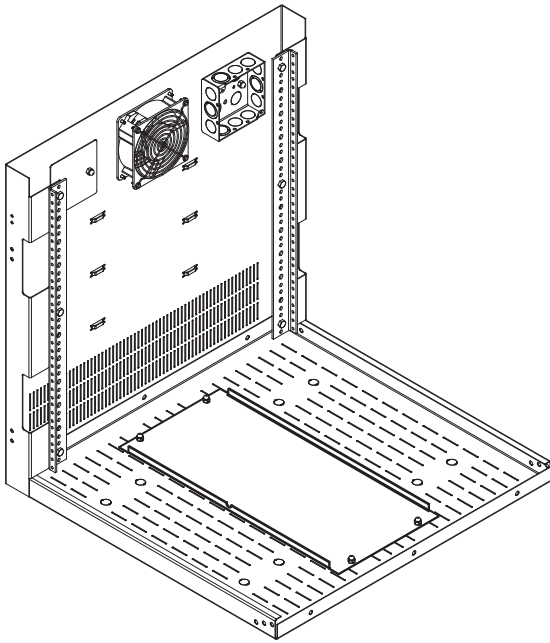


BOTTOM VIEW

Removable 16-gauge aluminum panel can be machined in the field for mounting dome cameras, wireless antennae, etc.

- A 3/8" wrench is required to remove the aluminum panel.

**NOTE:** Panel can only be removed from the inside of the enclosure.

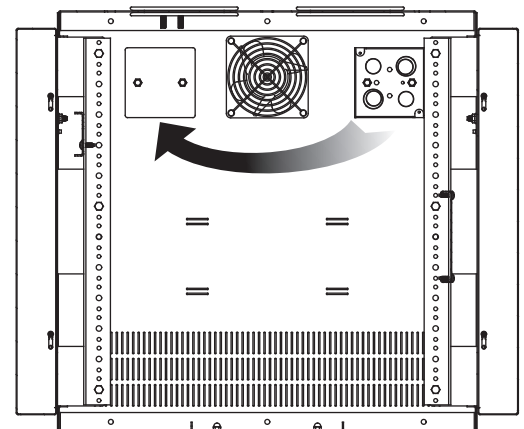


(Doors, side and top removed for clarity)

Preinstalled electrical box can be switched with blank panel as shown.

- Blank panel can be removed to install a second electrical box.

- A 3/8" wrench is needed to remove the nuts on the blank panel and electrical box.



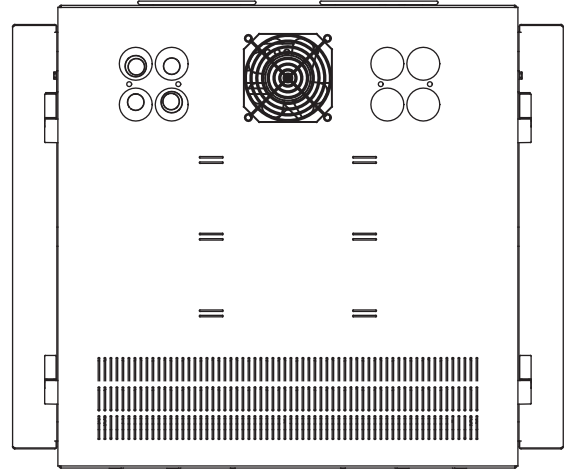
SIDE VIEW

(Enclosure side removed for clarity)

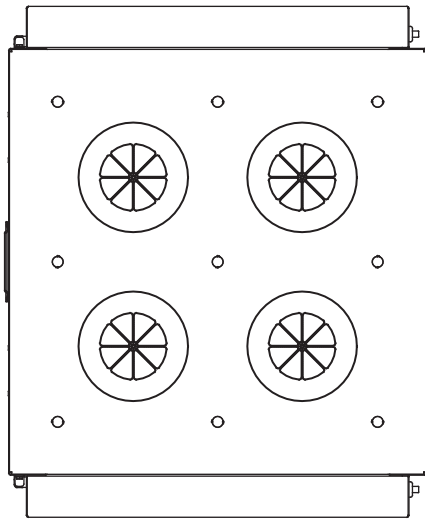
## PRODUCT FEATURES

Enclosure comes with factory-installed 4-1/2" exhaust fans.

- Power cables included in hardware kit.



SIDE VIEW

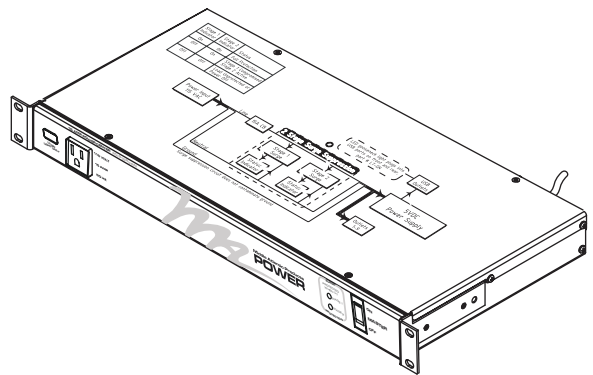


TOP VIEW

Four 4" cable entry locations have gland grommets installed to minimize dust and debris from entering the enclosure.

Rackmount power distribution unit (Part #PD-915R) included.

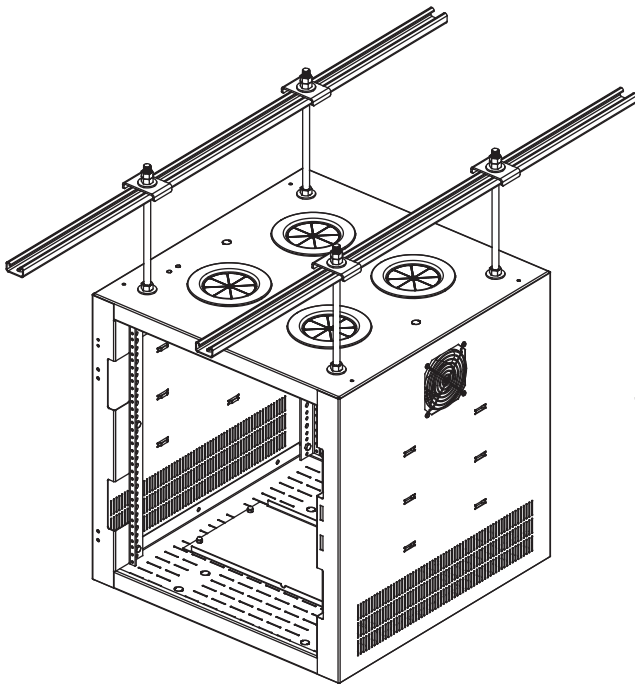
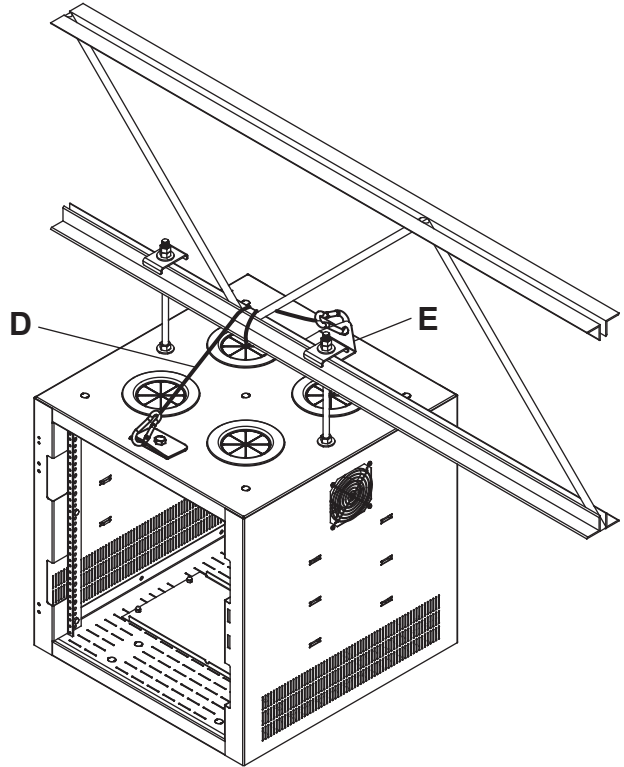
- PD-915R is equipped with eight rear and one front 15 Amp outlets. Unit occupies one rackspace.



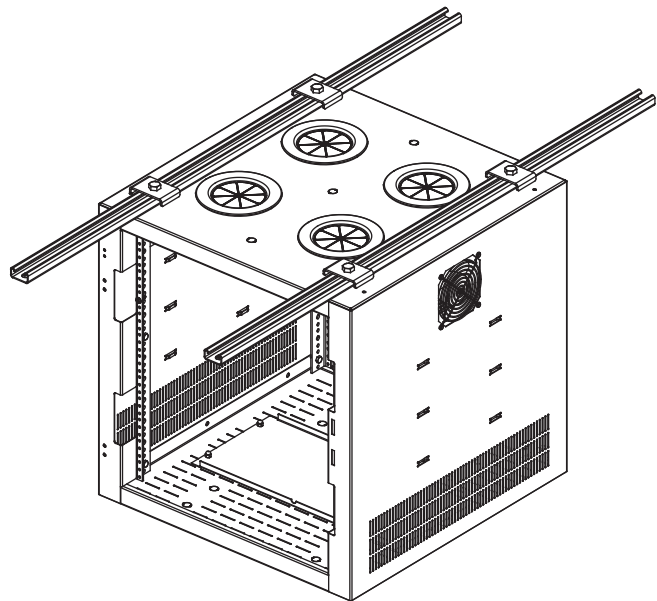
## INSTALLATION OPTIONS

(Doors shown removed for clarity)

TWO POINT INSTALLATION (Page 8-9)



FOUR POINT MOUNTING INSTALLATION USING  
THREADED ROD (Page 10)



FOUR POINT MOUNTING INSTALLATION  
DIRECTLY TO UNISTRUT (Page 11)

## TWO POINT MOUNTING INSTALLATION

(Doors removed for clarity)

**⚠ WARNING:** When using two point mounting, Safety Lanyard **MUST** be used.

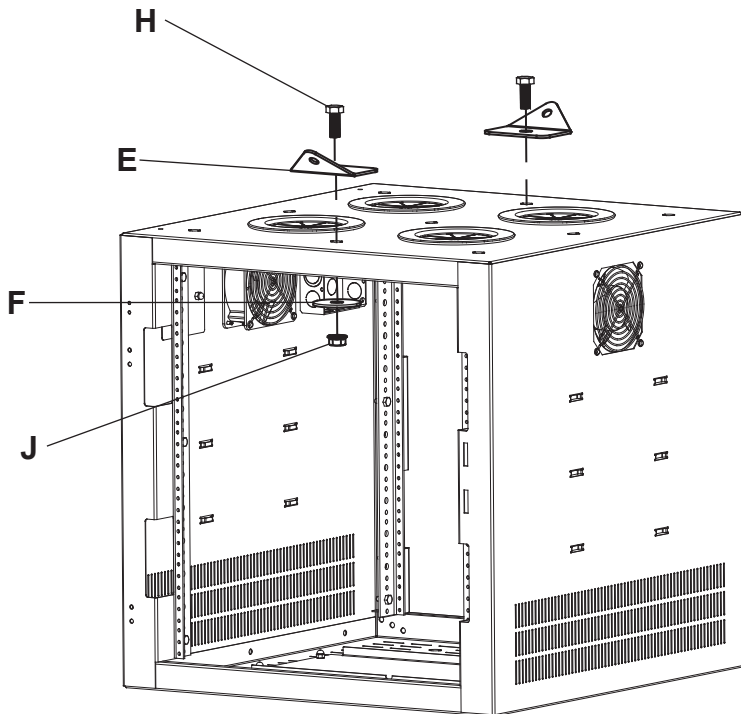
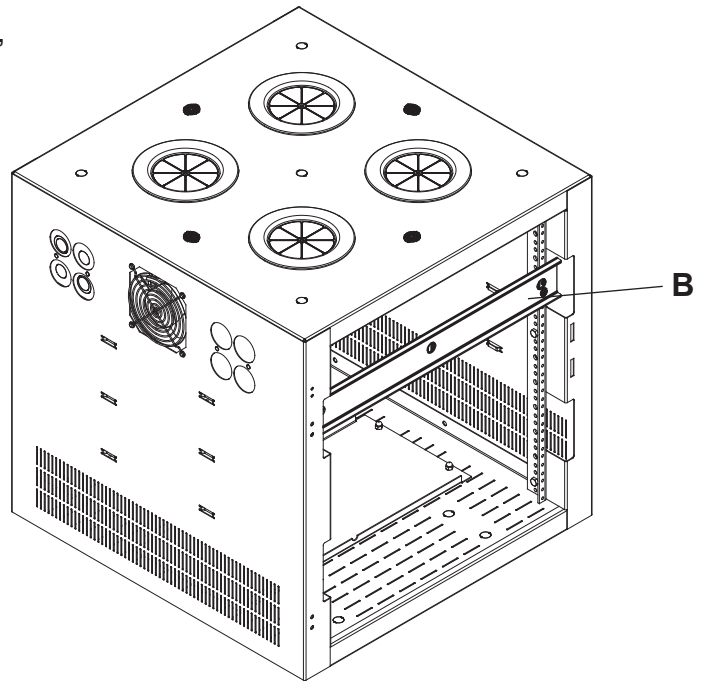
### **AVERTISSEMENT:**

Lors de l'utilisation de deux points de montage, cordon de sécurité doit être utilisé.

- 1) Remove Two Point Mounting Bracket (**B**).

**NOTE:** Do not discard. This will be required later in the install.

- 2) Remove four knockouts shown.  
(Knockouts indicated by dark circles)



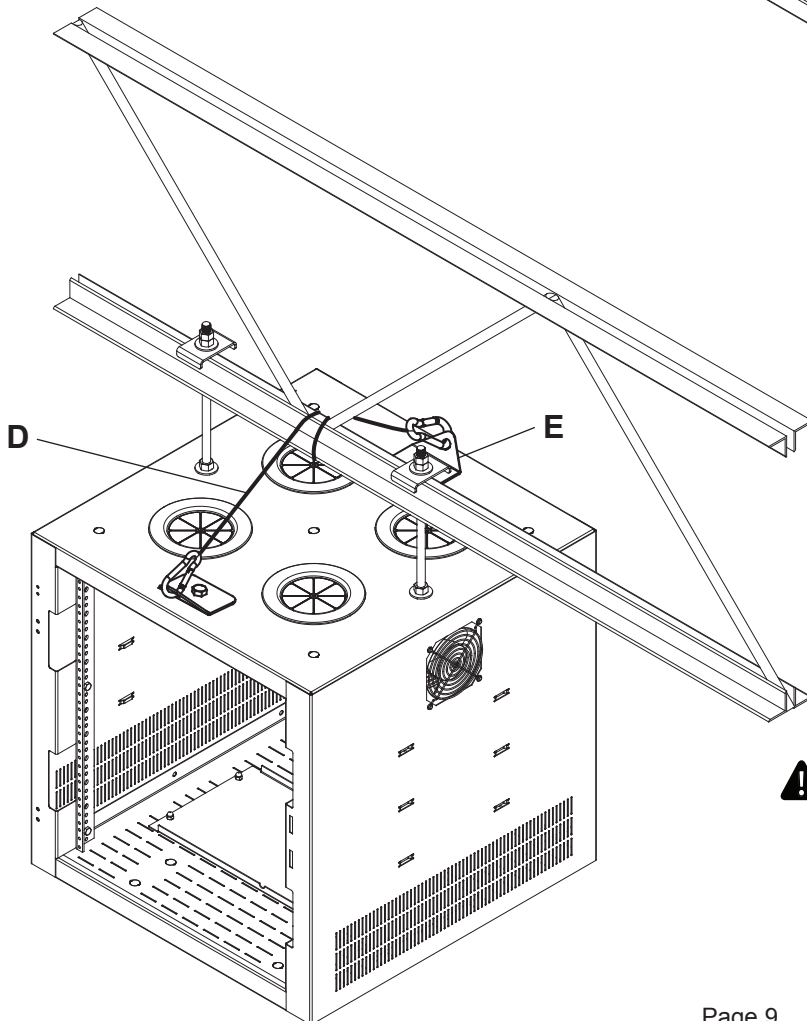
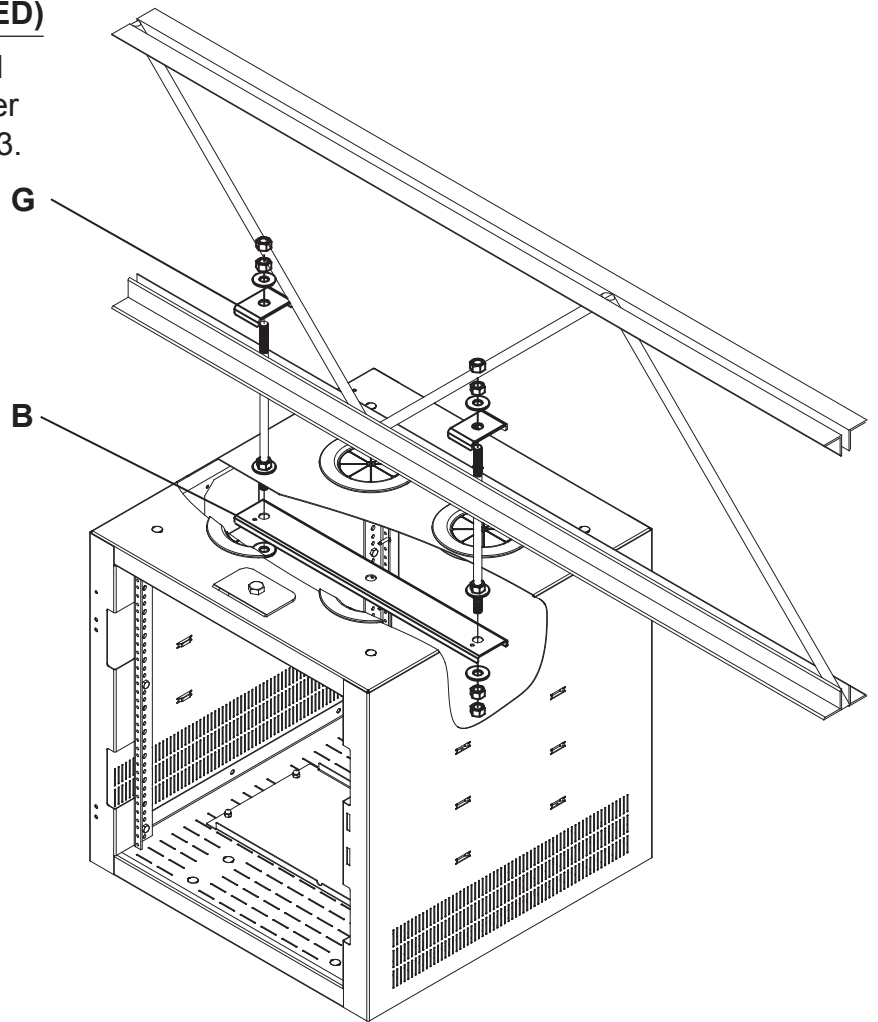
**NOTE:** Before installing any hardware, determine the direction the doors will open after the enclosure is installed.

- 3) Install Safety Lanyard hardware (**E, F, H & J**).



## TWO POINT INSTALLATION (CONTINUED)

- 4) Mount enclosure to truss using provided mounting brackets (**B** & **G**) and customer supplied hardware as outlined on page 3.



- 5) Install Safety Lanyard (**D**) by attaching the hooks to the Brackets (**E**) as shown.

- 6) Tighten all hardware.

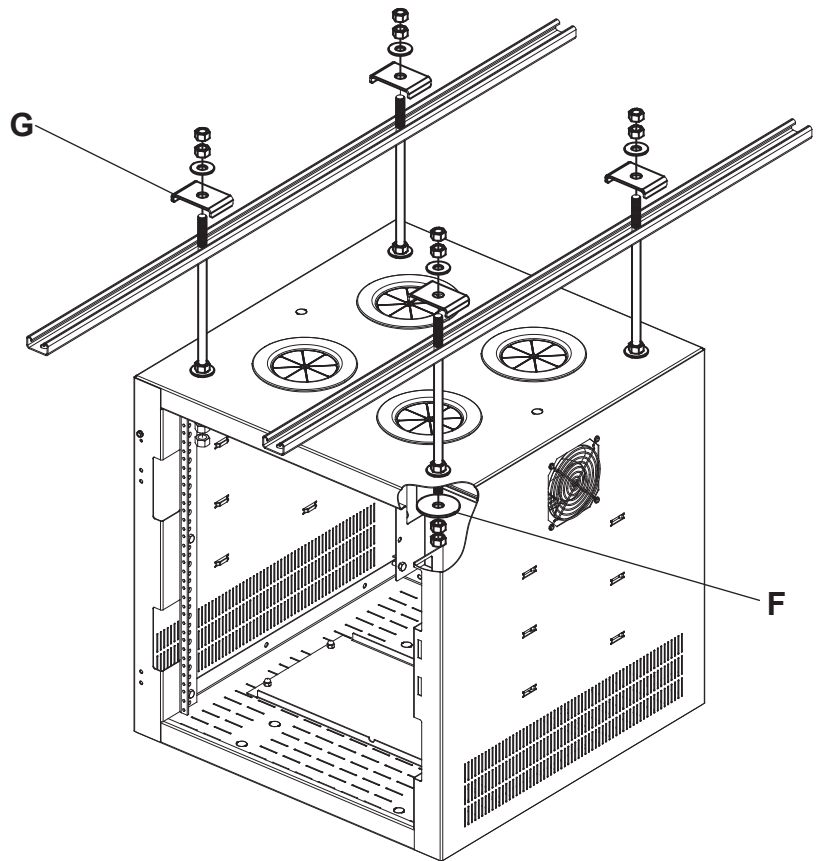
**⚠ WARNING:** Remove any excess slack from the safety lanyard by wrapping it around the truss.

**AVERTISSEMENT:** Tendez l'excès de la longe de sécurité en l'enroulant autour la ferme .

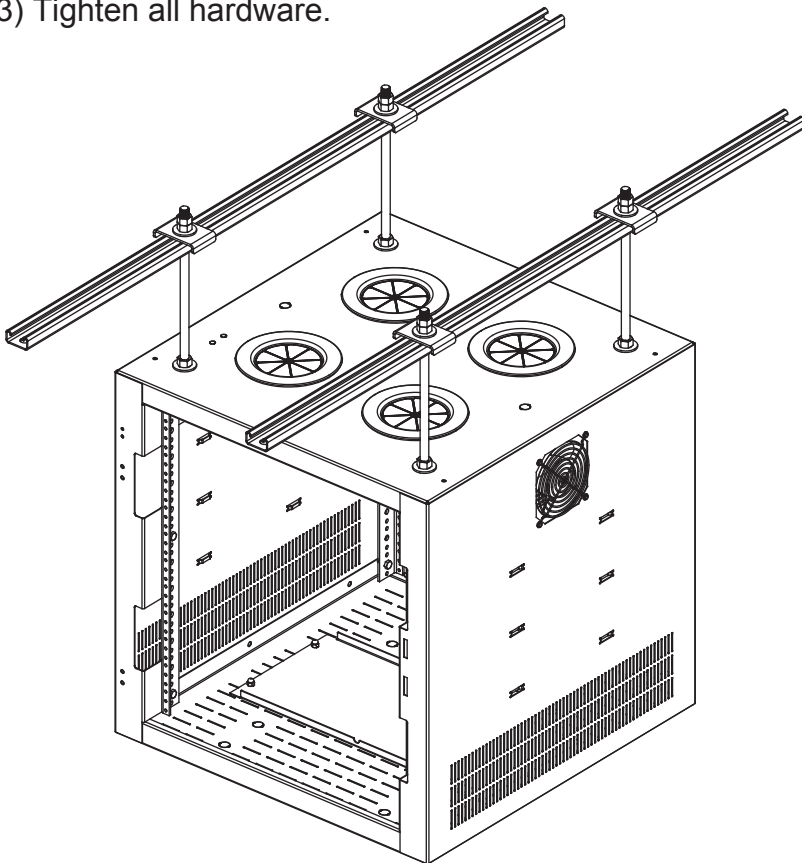
## FOUR POINT MOUNTING INSTALLATION (Threaded Rod)

(Doors removed for clarity)

- 1) Remove the knockouts in all four corners of the top.
- 2) Install provided Truss Brackets (G), Mounting Washer (F) and customer supplied mounting hardware as outlined on page 2.



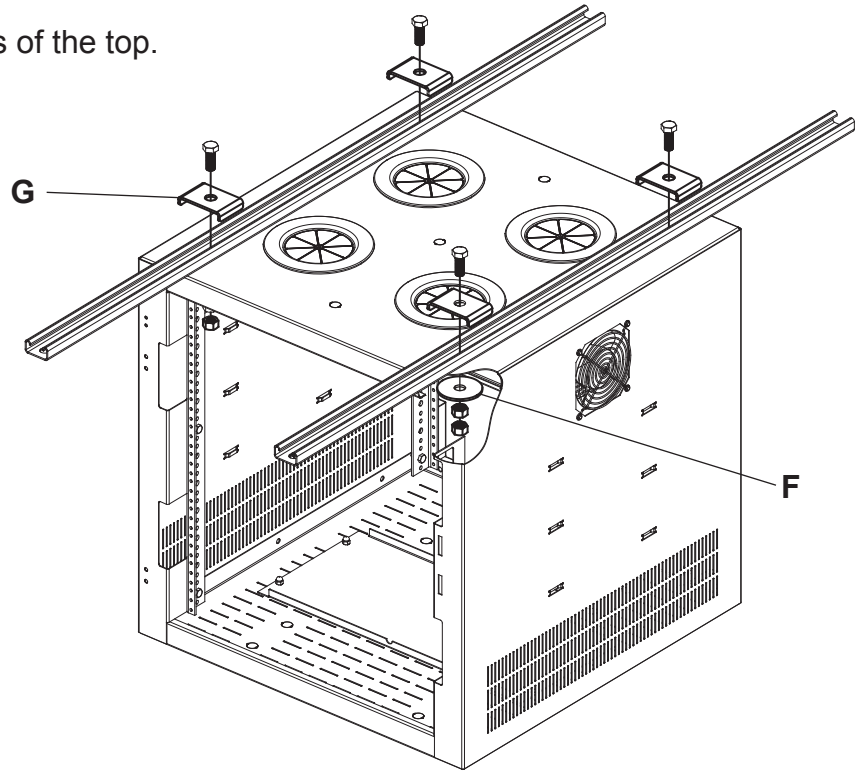
- 3) Tighten all hardware.



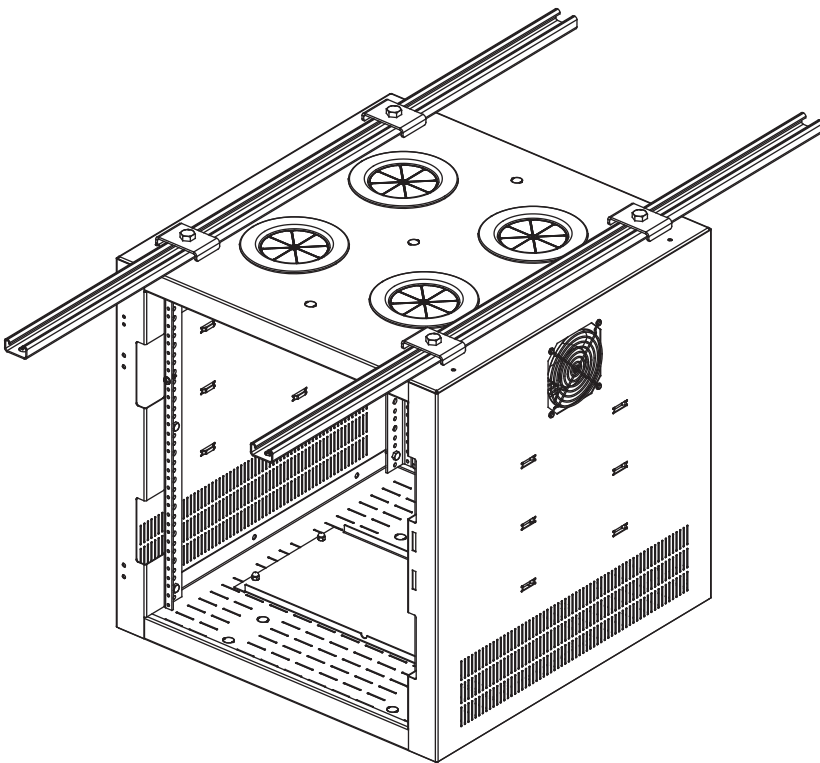
## FOUR POINT MOUNTING INSTALLATION (Directly to Unistrut)

(Doors removed for clarity)

- 1) Remove the knockouts in all four corners of the top.
- 2) Install Truss Brackets (**G**), Mounting Washer (**F**) and customer supplied mounting hardware as outlined on page 2.



- 3) Tighten all hardware.



## **WARRANTY**

Middle Atlantic Products (the "Company") warrants the IDF Intermediate Distribution Rack to be free from defects in material or workmanship under normal use and conditions for the lifetime of the product.

Middle Atlantic Products (the "Company") warrants the PD-915R and the 4 1/2" Fans to be free from defects in material or workmanship under normal use and conditions for a period of (3) years from date of shipment by the Company.

The Company's entire liability to the purchaser, and the purchaser's (or any other party's) sole and exclusive remedy, under this warranty shall be limited, at the Company's option, to either (a) return of and refund of the price paid for, or (b) repair or replacement at the Company's factory of the products purchased, or any part or parts thereof, which the Company has determined to be defective after inspection thereof at the Company's factory.

This warranty does not cover damage due to acts of God, accident, misuse, abuse or negligence by parties other than the Company, or any modification or alteration of the products. In addition, this warranty does not cover damage due to improper handling, assembly, installation or maintenance.

THIS WARRANTY IS IN LIEU OF ALL OTHER WARRANTIES OF ANY KIND, EITHER EXPRESSED OR IMPLIED, INCLUDING, BUT NOT LIMITED TO, IMPLIED WARRANTIES OF MERCHANTABILITY AND FITNESS FOR A PARTICULAR PURPOSE.

TO THE MAXIMUM EXTENT PERMITTED BY APPLICABLE LAW, IN NO EVENT SHALL THE COMPANY BE LIABLE FOR ANY SPECIAL, INCIDENTAL, INDIRECT, OR CONSEQUENTIAL DAMAGES WHATSOEVER (INCLUDING, WITHOUT LIMITATION, DAMAGES FOR LOSS OF BUSINESS PROFITS, BUSINESS INTERRUPTION OR ANY OTHER PECUNIARY LOSS) ARISING OUT OF THE USE OF THE PRODUCTS PURCHASED, EVEN IF THE COMPANY HAS BEEN ADVISED OF THE POSSIBILITY OF SUCH DAMAGES. THE COMPANY'S LIABILITY TO THE PURCHASER (OR ANY OTHER PARTY) HEREUNDER, IF ANY, SHALL IN NO EVENT EXCEED THE PURCHASE PRICE OF THE PRODUCTS PAID TO THE COMPANY.

### **Corporate Headquarters**

Corporate Voice 973-839-1011 - Fax 973-839-1976  
International Voice +1 973-839-8821 - Fax +1 973-839-4982  
middleatlantic.com - info@middleatlantic.com

### **Middle Atlantic Canada**

Voice 613-836-2501 - Fax 613-836-2690  
middleatlantic.ca - customerservicecanada@middleatlantic.ca

### **Factory Distribution**

USA: NJ - CA - IL Canada: ON - BC

**At Middle Atlantic Products we are always listening. Your comments are welcome.**