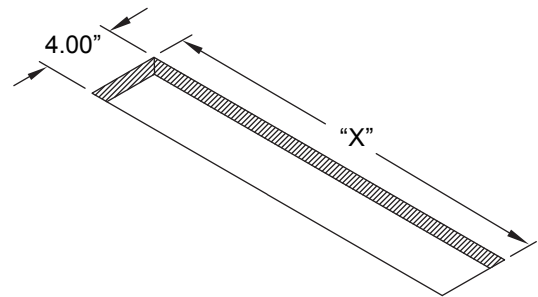


BYRNE

INSTALLATION INSTRUCTIONS FOR MS2

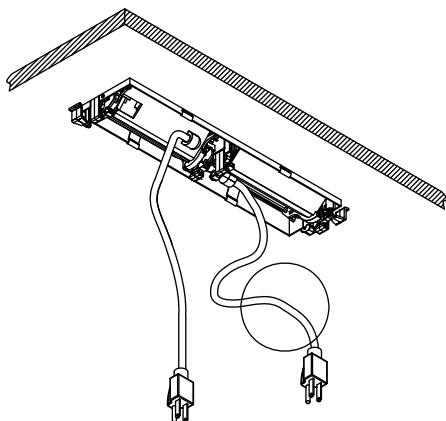
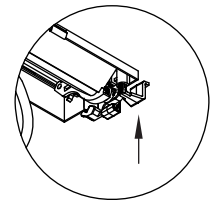
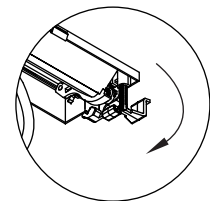
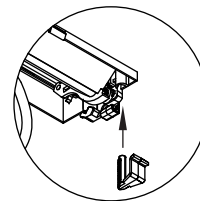
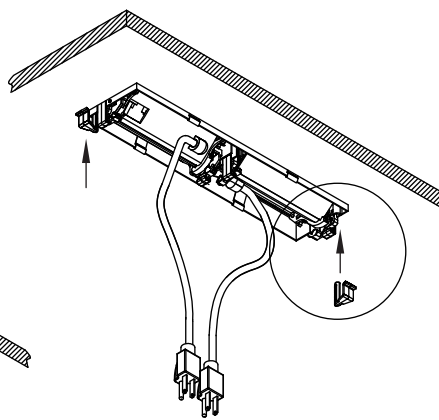
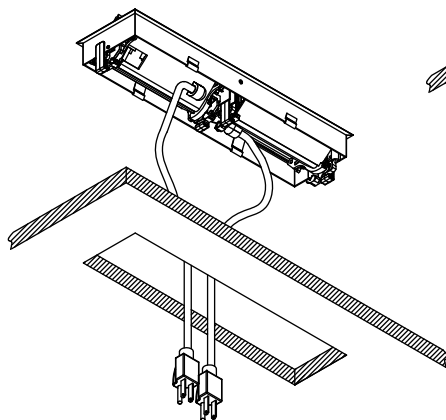
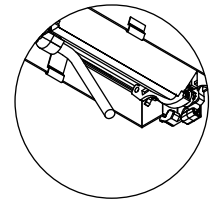
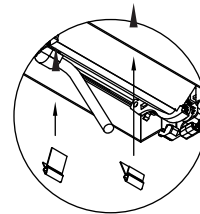
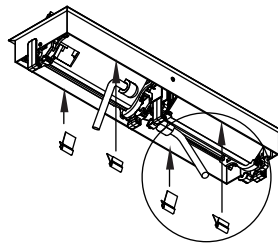
Install data jacks as described in the installation instructions provided with the data adapters, BE01421

MS2		"X" Dim.
BE01820-MS2	2 x 2 ports	10.19
BE01820-MS2	2 x 3 ports	13.19
BE01820-MS2	2 x 4 ports	16.19
BE01820-MS2	2 x 5 ports	19.19
BE01820-MS2	2 x 6 ports	22.19
BE01820-MS2	2 x 7 ports	25.19
BE01820-MS2	2 x 8 ports	28.19



Attach 2 clips, one at each end on front and back of unit base.

Note: Metal clips are for use in hard surface material only as an optional mounting means.



Note: In a conduit application, conduit should be supported according to local code. When managing conduit and cabling exiting the unit, ensure there is adequate slack to allow unit to open properly.

