

Audio/Video Breakout Box with Composite, S-Video and Ethernet Pass Through

NXA-AVB/ETHERNET (FG2254-10)



Overview

The NXA-AVB/ETHERNET Breakout Box facilitates the installation and distribution of video, data, and audio to Modero® Touch Panels located up to 200 feet (60.96 m) from the AVB box. This unit accepts either Composite or S-Video from standard video devices. The NXA-AVB/ETHERNET also acts as a signal converter. It is designed to take normal wiring from the system and, in turn, translate the incoming audio/video data over Cat5 cable directly to the Modero Touch Panel.

Features

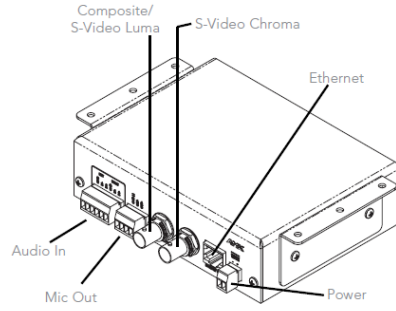
- Accepts either Composite or S-Video (video-capable panels only)
- Provides audio distribution to the non-video touch panels over a Cat5 cable (up to 200 ft.)
- Provides audio distribution to the non-video touch panels over a Cat5 cable (up to 200 ft.)

Specifications

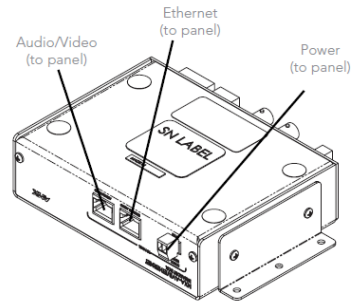
GENERAL	
Dimensions (HWD)	1 1/2" x 5 1/2" x 4 7/8" (3.86 cm x 14.07 cm x 12.52 cm); Width when attached to mounting ears: 6.65" (16.86 cm)
Rack Units	1
Power Consumption	50mA (with audio/video input) 23mA (with no audio/video) Routed through AVB using a PSN power supply
Certifications	FCC Part 15 Class B, CE, EN60950, RoHS
Included Accessories	Two 2-pin Phoenix connectors (41-5025) One 4-pin Phoenix connector (41-5047) One 6-pin Phoenix connector (41-5063) One Rack Mount Kit (KA2250-40) with mounting bracket (62-2254-02)

FRONT COMPONENTS	
Connections / Wiring	<p>2-pin 3.5 mm Phoenix connector for power to the touch panel</p> <p>RJ-45 connector provides Ethernet signals to the touch panel</p> <p>RJ-45 connector provides differential audio and video signals to the touch panel (panel type dependent)</p>
Status LED	1 Green LED shows power status

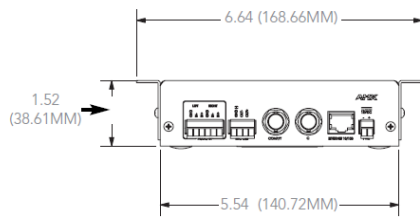
REAR COMPONENTS	
Connections / Wiring	<p>6-pin 3.5 mm Phoenix connector for in-bound (left/right channel) audio</p> <p>4-pin 3.5 mm Phoenix connector for out-bound (from microphone) audio</p> <p>BNC connector (female) for Composite or Chroma (for video-capable panels only)</p> <p>BNC connector (female) for luminance (for video-capable panels only)</p> <p>RJ-45 connector for Ethernet input from the control system</p> <p>2-pin 3.5 mm Phoenix connector for in-bound power</p>



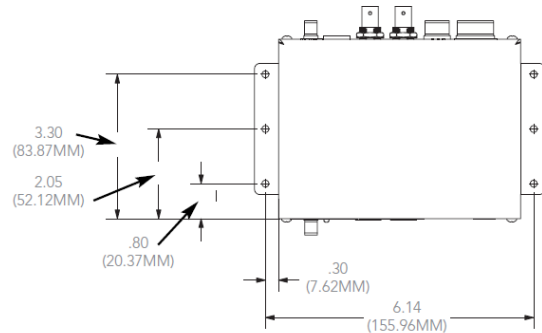
NXA-AVB/Ethernet
(Rear View)



NXA-AVB/Ethernet
(Front View)



NXA-AVB/Ethernet
(Rear View)



NXA-AVB/Ethernet
(Top View)

About AMX

AMX hardware and software solutions simplify the implementation, maintenance, and use of technology to create effective environments. With the increasing number of technologies and operating platforms at work and home, AMX solves the complexity of managing this technology with reliable, consistent and scalable systems. Our award-winning products span control and automation, system-wide switching and audio/video signal distribution, digital signage and technology management. They are implemented worldwide in conference rooms, homes, classrooms, network operation / command centers, hotels, entertainment venues, broadcast facilities, and more. ©2011 AMX. All rights reserved.

Specifications subject to change. Revised 5-Dec-11.