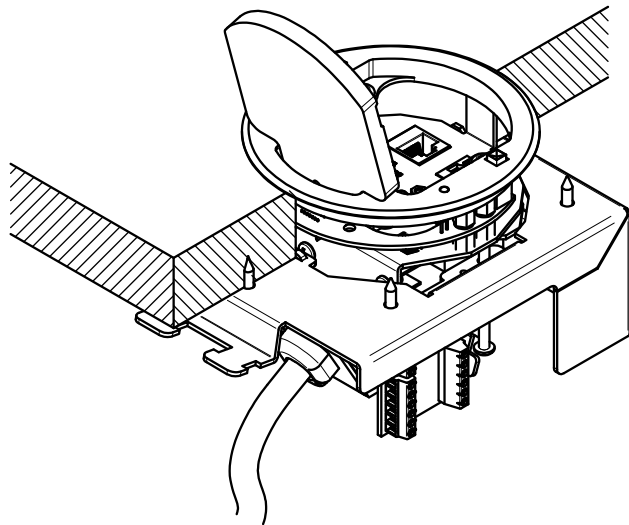


1. INSTALL SHROUD TO UNDERSIDE OF TABLE HOLE WITH WOOD SCREWS AS SHOWN. ORIENT PER DESIRED COVER SWING DIRECTION.
2. MAKE ELECTRICAL CONNECTIONS AS REQUIRED AND ENSURE WIRES PASS THRU PROPER OPENINGS IN THE SHROUD. DROP THE T3 ASSEMBLY INTO THE HOLE (COVER ORIENTATION IS PRE-SET BY SHROUD INSTALLATION).
3. PASS THE DESIRED-LENGTH (2) LONG SCREWS THRU SHROUD AND THREAD INTO T3 ASSEMBLY. TURN THE 3/8"-LONG CLAMP NUTS UP SNUG AGAINST THE SHROUD BASEPLATE TO PULL THE T3 ASSEMBLY DOWN COMPLETELY INTO PLACE IN THE TABLE HOLE.
4. TIE WRAP CABLES TO THE TAB(S) PROVIDED ON SHROUD.

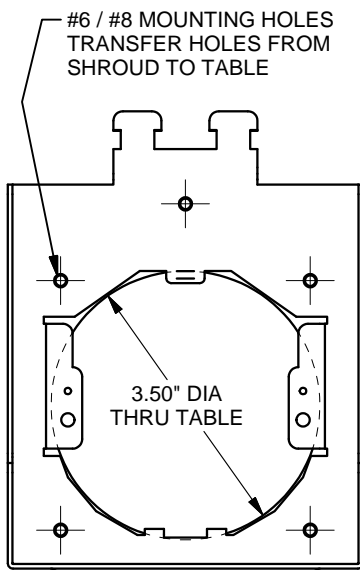


ASSEMBLED VIEW

MODEL ILLUSTRATED  
MAY DIFFER FROM  
MODEL PURCHASED

1.00" MIN TO  
2-1/2" MAX  
TABLE  
THICKNESS  
(3/4" MIN FOR  
NO-BUTTON  
MODEL)

PRE-CUT  
3.50" DIA  
HOLE IN  
TABLE



UNDERSIDE VIEW OF SHROUD

#6 / #8 MOUNTING HOLES  
TRANSFER HOLES FROM  
SHROUD TO TABLE

3.50" DIA  
THRU TABLE

CABLE TIE TAB

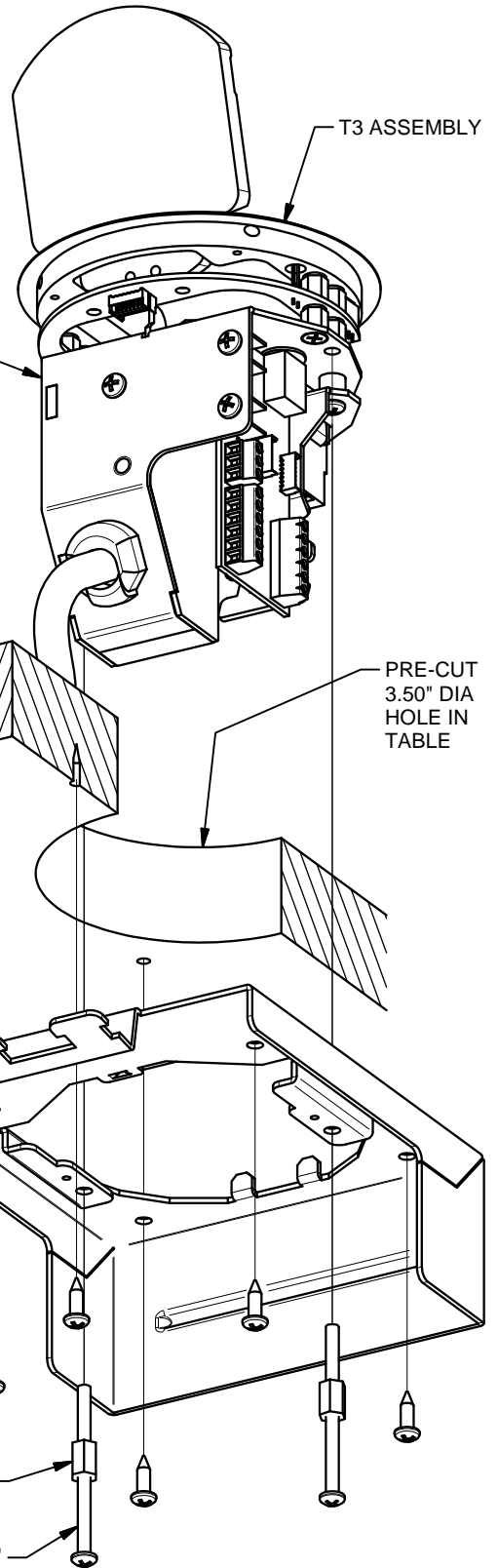
SHROUD

MODEL ILLUSTRATED  
MAY DIFFER FROM  
MODEL PURCHASED

#6 / #8 x 1/2"  
WOOD SCREW

(2) 3/8"-LONG  
CLAMP NUT

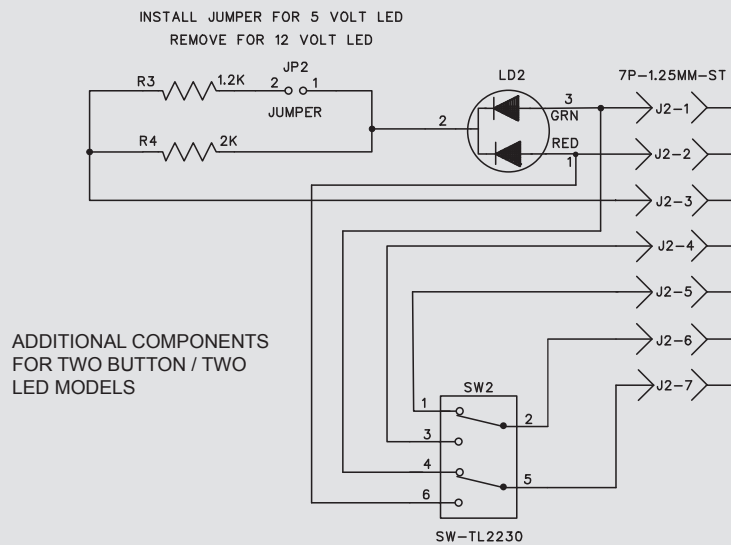
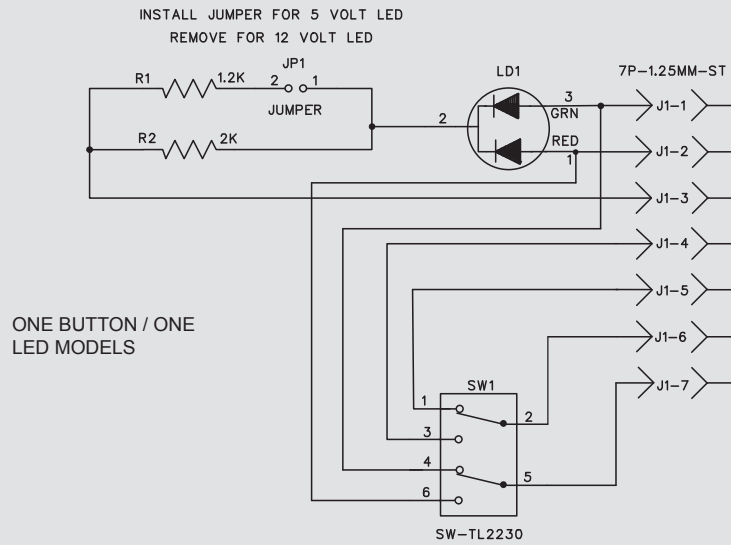
(2) #6-32 x 2.00" OR 2-1/2"  
PAN HEAD SCREW



T3 ASSEMBLY

# T3-PC1D / T3DV2S TABLE BOX WIRING PINOUT FOR ONE AND TWO BUTTON / LED MODELS

## SWITCH / LED PC BOARD



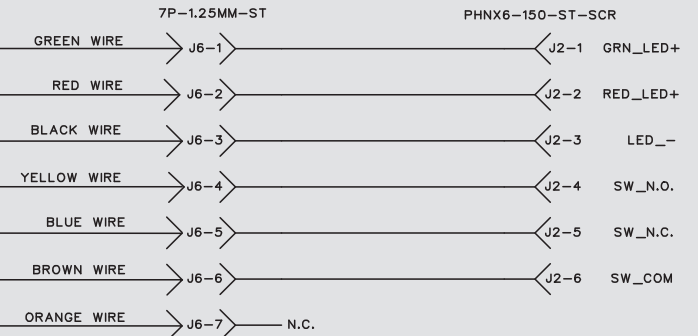
## INTERCONNECT PC BOARD

AUDIO (T3-PC1D ONLY)  
3.5MM-STEREO-LP

CAPTIVE SCREW TERMINALS



### RIGHT SW / LED



### LEFT SW / LED

