

# Legrand Line Interactive UPS Series

## Uninterruptible Power Supply

Protect critical hardware in AV, security, networking and broadcast systems with ultra low transfer time.

### features:

- Ultra Low Transfer Time: Quick transfer of power from AC to battery
- Automatic Voltage Regulation (AVR): Corrects voltage irregularities without switching to battery
- Pure Sinewave Output: Provides the ideal waveform for the most sensitive equipment
- Wide Input Voltage Range: Enables stable wide range application usage
- Input Power Factor 0.9: Optimized and ideal efficiency at full load
- Programmable Outlet Bank: Power management outlets enable programmable control of load segments to extend battery time to mission critical equipment
- Optional Remote Management Control: Provides visibility and control of power usage and availability, both on-site or at a remote unmanned facility
- 4-Post Rack Mounting Kit: Included for simplified rack mounting
- Tower Mounting Option: Includes feet for non-rack applications, enabling the UPS to stand up by providing stability
- cTUVus listed to UL Standard 1778 in US and Canada
- FCC/IC Class A



UPS-LIP-1



UPS-LEBATT-X

### specifications:

Rackmount/freestanding Uninterruptible Power Supply (UPS) shall be Legrand model # UPS-LL\_\_\_RT (refer to chart). UPS shall be line interactive with AVR. Unit shall measure 19" W x 3.5" H x \_\_\_" D (refer to chart) and occupy 2 rackspace. UPS shall have a rear mounting range of 17.6" to 39.4". Unit shall operate on 120 VAC/50 or 60Hz current and have a power factor of .9. Unit shall have a nominal output of 120V. Unit shall have a capacity of \_\_\_ VA and \_\_\_ W (refer to chart). Unit shall have \_\_\_ NEMA 5- \_\_\_ receptacles on the rear of the unit (refer to chart). Unit shall have a priority outlet bank consisting of \_\_\_ outlets dedicated to ensure maximum run time of critical components (refer to chart). Unit shall have a programmable outlet bank consisting of \_\_\_ outlets dedicated to load shedding (refer to chart). Unit shall be IP enabled, or when used with optional IP Expansion card, model# UPS-LIP-1. Rackmount/freestanding UPS shall include a 5.5' power cord with NEMA \_\_\_P (refer to chart) plug. Rackmount/freestanding UPS shall have \_\_\_ 12V 9Ah that provide a \_\_\_ minute run time at full load. Rackmount/freestanding UPS shall accept an additional battery box, model # UPS-LEBATT-\_\_\_ that shall have dimensions of \_\_\_"W x \_\_\_"H x \_\_\_" D (refer to chart). Rackmount/freestanding UPS shall have a net weight of \_\_\_ lbs. (refer to chart.) Rackmount/freestanding UPS shall emit less than 45 dBA @ 1 meter. Rackmount UPS shall have smart RS-232/USB connectivity and support Windows, Linux Unix and Mac operating systems. Rackmount UPS shall be RoHS 3 compliant. Rackmount UPS shall be warrantied to be free from defects in materials and workmanship under normal use and conditions for a period of 2 years; battery shall be warrantied for a period of 2 years. Rackmount UPS shall be cTUVus listed to UL Standard 1778 in US and Canada and FCC/IC Class A.

Customizable specification clips available at [middleatlantic.com](http://middleatlantic.com)



### options:

- UPS-LIP-1 - Legrand UPS remote management SNMP network card
- UPS-LEBATT-1 - Legrand UPS expansion battery for 1.1KVA line interactive and 1KVA online UPS
- UPS-LEBATT-3 - Legrand UPS expansion battery for 1.5 and 2KVA line interactive and 2KVA online UPS
- UPS-LEBATT-4 - Legrand UPS expansion battery for 3 KVA line interactive and 3KVA online UPS



WHAT GREAT SYSTEMS ARE BUILT ON™ | [LEGRANDAV.COM](http://LEGRANDAV.COM)

USA P 800.266.7225 E [av.middleatlantic.support@legrand.com](mailto:av.middleatlantic.support@legrand.com)  
CANADA P 888.766.9770 E [av.middleatlantic.support@legrand.com](mailto:av.middleatlantic.support@legrand.com)

©2020 Middle Atlantic Products, Inc. All rights reserved. All other brand names or marks are used for identification purposes and are trademarks of their respective owners. All patents are protected under existing designations. Other patents pending.



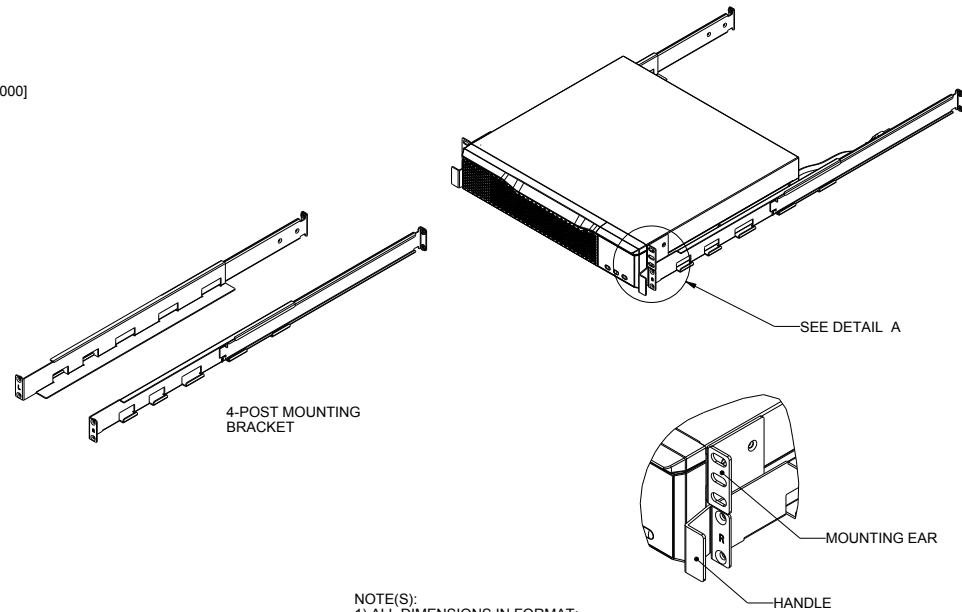
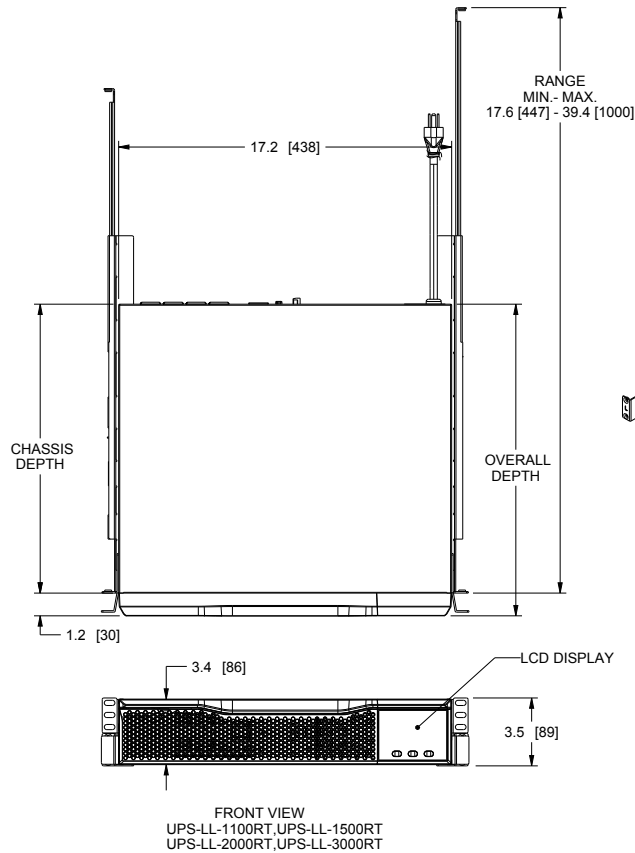
COMMERCIAL BRANDS

C2G | Chief | Da-Lite | Luxul | Middle Atlantic | Vaddio | Wiremold

96-01260 / rev - / 2-24-20

# Legrand Line Interactive UPS Series

Uninterruptible Power Supply



NOTE(S):  
1) ALL DIMENSIONS IN FORMAT:  
INCHES [MILLIMETERS]

MODEL #	UPS LENGTH IN [MM]	CHASSIS DEPTH IN [MM]
UPS-LL-1100RT	16.1 [410]	15.0 [380]
UPS-LL-1500RT	20.1 [510]	19.0 [480]
UPS-LL-2000RT	20.1 [510]	19.0 [480]
UPS-LL-3000RT	24.1 [630]	23.6 [600]



WHAT GREAT SYSTEMS ARE BUILT ON™ | LEGRANDAV.COM

USA P 800.266.7225 E av.middleatlantic.support@legrand.com  
CANADA P 888.766.9770 E av.middleatlantic.support@legrand.com

©2019 Middle Atlantic Products, Inc. All rights reserved. All other brand names or marks are used for identification purposes and are trademarks of their respective owners. All patents are protected under existing designations. Other patents pending.

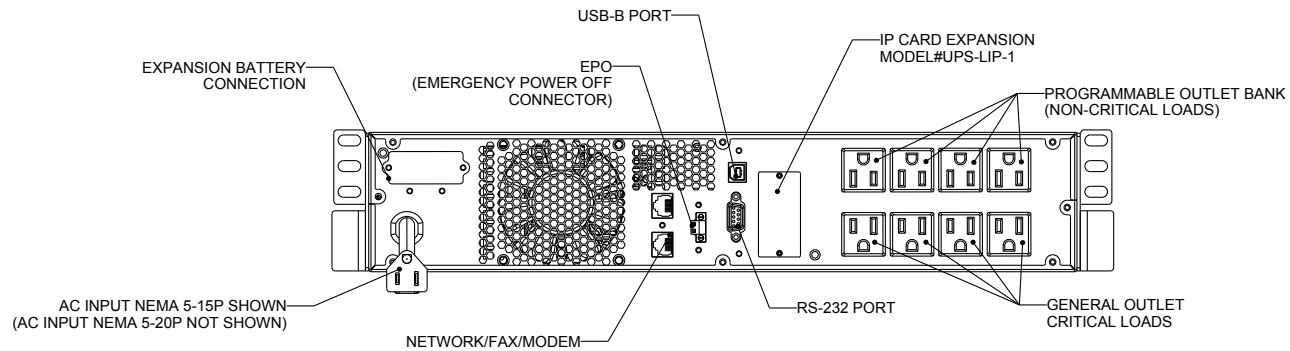


COMMERCIAL BRANDS

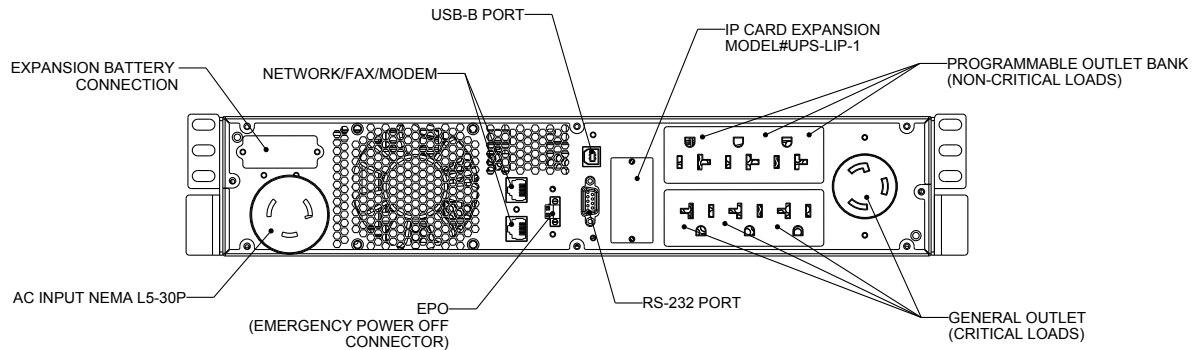
C2G | Chief | Da-Lite | Luxul | Middle Atlantic | Vaddio | Wiremold

# Legrand Line Interactive UPS Series

Uninterruptible Power Supply



REAR VIEW  
UPS-LL-1100RT AND UPS-LL-1500RT (15AMP OUTLET BANKS) SHOWN  
UPS-LL-2000RT (20AMP OUTLET BANKS)



REAR VIEW



WHAT GREAT SYSTEMS ARE BUILT ON™ | [LEGRANDAV.COM](http://LEGRANDAV.COM)

USA P 800.266.7225 E [av.middleatlantic.support@legrand.com](mailto:av.middleatlantic.support@legrand.com)  
CANADA P 888.766.9770 E [av.middleatlantic.support@legrand.com](mailto:av.middleatlantic.support@legrand.com)

©2019 Middle Atlantic Products, Inc. All rights reserved. All other brand names or marks are used for identification purposes and are trademarks of their respective owners. All patents are protected under existing designations. Other patents pending.



COMMERCIAL BRANDS

C2G | Chief | Da-Lite | Luxul | Middle Atlantic | Vaddio | Wiremold

# Legrand Line Interactive UPS Series

## Uninterruptible Power Supply

### SPECIFICATIONS

Input				
Model/ Capacity	1100VA 990W	1500VA 1350W	2000VA 1800W	3000VA 2700W
Acceptable Voltage Range	81-145 Vac			
Frequency Range	60/50 Hz (auto sensing)			
Cord Length	5.5ft (1.68m)			
Plug type	NEMA 5-15P	NEMA 5-20P	NEMA L5-30P	

Output				
Model/ Capacity	1100VA 990W	1500VA 1350W	2000VA 1800W	3000VA 2700W
Voltage Regulation (Battery Mode)	110/115/120/127 Vac $\pm$ 1.5% (before battery alarm)			
Frequency Range (Battery Mode)	50 Hz or 60 Hz $\pm$ 1 Hz			
Power Factor	0.9			
Current Crest Ratio	3:1			
Total Outlet quantity/type	8 x NEMA 5-15R	8 x NEMA 5-20R	6 x NEMA 5-20R + 1 x L5-30R	
Harmonic Distortion	2% max @ 100% linear load, 5% max @ 100% non-linear load (before low battery alarm)			
Transfer Time	Typical 2-6 ms, 10ms max.			
Waveform (Battery Mode)	Pure Sine Wave			
Thermal Dissipation	152 BTU/H	170 BTU/H	178 BTU/H	248 BTU/H

Efficiency				
Model/ Capacity	1100VA 990W	1500VA 1350W	2000VA 1800W	3000VA 2700W
AC Mode	95%			
Buck & Boost Mode	93%			
Battery Mode	88%	90%		90%
Load shedding Programmable Outlets	4 x NEMA 5-15R		4 x NEMA 5-20R	3 x NEMA 5-20R
Load shedding General Outlets	4 x NEMA 5-15R		4 x NEMA 5-20R	3 x NEMA 5-20R + 1 x L5-30R

Battery				
Model/ Capacity	1100VA 990W	1500VA 1350W	2000VA 1800W	3000VA 2700W
Battery Type & Number	12V/9Ah	12V/7Ah	12V/9Ah	12V/9Ah
Numbers	2	4	4	6
Recharge Time	4 hours recover to 90% capacity			
Charging Current	1.5A			
Charging Voltage	27.4 VDC $\pm$ 1%	54.8 VDC $\pm$ 1%		82.1 VDC $\pm$ 1%
Runtime Full Load	3 mins	4 mins	4 mins	4 mins
Runtime Half Load	10 mins	12 mins	12 mins	12 mins



WHAT GREAT SYSTEMS ARE BUILT ON™ | LEGRANDAV.COM

USA P 800.266.7225 E av.middleatlantic.support@legrand.com  
CANADA P 888.766.9770 E av.middleatlantic.support@legrand.com

©2019 Middle Atlantic Products, Inc. All rights reserved. All other brand names or marks are used for identification purposes and are trademarks of their respective owners. All patents are protected under existing designations. Other patents pending.



COMMERCIAL BRANDS

C2G | Chief | Da-Lite | Luxul | Middle Atlantic | Vaddio | Wiremold

# Legrand Line Interactive UPS Series

## Uninterruptible Power Supply

### SPECIFICATIONS

Physical				
Model/ Capacity	1100VA 990W	1500VA 1350W	2000VA 1800W	3000VA 2700W
Dimension, D x W x H (inches)	16.1 x 17.2 x 3.4	20.1 x 17.2 x 3.4		24.1 x 17.2 x 3.4
Dimension, D x W x H (mm)	410 x 438 x 88	510 x 438 x 88		612 x 438 x 88
Net Weight (lbs)	29.5	42.9	47.3	64.5
Net Weight (kgs)	13.4	19.5	21.5	29.3
Shipping Weight (lbs)	33.9	48.3	52.7	71.9
Shipping Weight (kgs)	15.4	21.9	23.9	32.6

Environment				
Model/ Capacity	1100VA 990W	1500VA 1350W	2000VA 1800W	3000VA 2700W
Operating Humidity	0-90 % RH @ 32 – 104°F or 0 – 40°C (non-condensing)			
Acoustic Noise Level	Less than 45dBA @ 1 Meter			

Management				
Model/ Capacity	1100VA 990W	1500VA 1350W	2000VA 1800W	3000VA 2700W
Smart RS-232/USB	Supports Windows® 2000/2003/XP/Vista/2008, 7/8, Linux, Unix, and MAC			
Optional SNMP Card	Power management from SNMP manager and web browser			

Expandable Battery Box Specification				
Model	UPS-LEBATT-1	UPS-LEBATT-3		UPS-LEBATT-4
Capacity	18Ah24V	18Ah48V		18Ah72V
Used with UPS Models	UPS-LL-1100RT	UPS-LL-1500RT	UPS-LL-2000RT	UPS-LL-3000RT
Battery Type	12V 9Ah	12V 9Ah		12V 9Ah
Battery Numbers	4	8		12
Runtime Full Load UPS+ 1 Expandable box*box*	34 mins	26 mins	20 mins	21 mins
Runtime Half Load UPS+ 1 Expandable box*	80 mins	62 mins	50 mins	51 mins
Dimension, D x W x H (inches)	16.1 x 17.2 x 3.5	20.1 x 17.2 x 3.5		24.8 x 17.2 x 3.5
Dimension, D x W x H (mm)	410 x 438 x 88	510 x 438 x 88		630 x 438 x 88
Net Weight (lbs.)	37.69	63.93		90.83
Net Weight (kgs.)	17.1	29.0		41.2

NOTE: Battery pack should be used with corresponding UPS.



WHAT GREAT SYSTEMS ARE BUILT ON™ | LEGRANDAV.COM

USA P 800.266.7225 E av.middleatlantic.support@legrand.com  
CANADA P 888.766.9770 E av.middleatlantic.support@legrand.com

©2019 Middle Atlantic Products, Inc. All rights reserved. All other brand names or marks are used for identification purposes and are trademarks of their respective owners. All patents are protected under existing designations. Other patents pending.



COMMERCIAL BRANDS

C2G | Chief | Da-Lite | Luxul | Middle Atlantic | Vaddio | Wiremold