

# Legrand Double-Conversion Online UPS Series

## Uninterruptible Power Supply

Protect critical hardware in AV, security, networking and broadcast systems with zero transfer time to battery.

### features:

- Zero Transfer Time: Seamless transfer of power from AC to battery and inverter to bypass
- True Double-Conversion: Provides the highest protection from raw input power (surges, spikes, and dips)
- Pure Sinewave Output: Provides the ideal waveform for the most sensitive equipment
- Wide Input Voltage Range: Enables stable wide range application usage
- Input Power Factor Correction: Optimized and ideal efficiency at full load
- Programmable Outlet Bank: Ensures efficient and timely powering down of attached non-critical equipment
- Designed to Work in Tandem with a Generator: Ensures smooth transition to generators during longer outages
- Optional Remote Management Control: Provides visibility and control of power usage and availability, both on-site or at a remote unmanned facility
- 4-Post Rack Mounting Kit: Included for simplified rack mounting
- Tower Mounting Option: Includes feet for non-rack applications, enabling the UPS to stand up by providing stability
- cTUVus listed to UL Standard 1778 in US and Canada
- FCC/IC Class A



UPS-LIP-1



UPS-LEBATT-X

### specifications:

Rackmount/freestanding Online Double Conversion Uninterruptible Power Supply (UPS) shall be Legrand model # UPS-LO\_\_ RT (refer to chart) and provide zero transfer time. Unit shall measure 19" W x 3.50" H x \_\_" D and occupy 2 rackspace. UPS shall have a rear mounting range of 17.6" to 39.4". Unit shall operate on 120 VAC/50 or 60Hz and have a power factor of less than or equal to .99 at full load. Unit shall have a nominal output of 120V. Unit shall have a capacity of \_\_ VA and \_\_ W (refer to chart). Unit shall have ( ) NEMA 5- \_\_ receptacles on the rear of the unit (refer to chart). Unit shall have a priority outlet bank consisting of \_\_ outlets dedicated to ensure maximum run time of critical components. Unit shall have a non-critical outlet bank consisting of \_\_ outlets dedicated to load shedding (refer to drawing). Unit shall be IP enabled when used with optional IP Expansion card, model# UPS-LIP-1. Rackmount/freestanding UPS shall include a 5.5' power cord with NEMA\_\_ (refer to chart) plug. Rackmount/freestanding UPS shall have a \_\_ minute run time at half load and a \_\_ (refer to chart) minute run time at full load. Rackmount/freestanding UPS shall accept an additional battery box, model # UPS-LEBATT-\_\_ that shall have dimensions of \_\_" W x \_\_" H x \_\_" D (refer to chart) Rackmount/freestanding UPS shall have a net weight of \_\_ lbs. (refer to chart.) Rackmount/freestanding UPS shall emit less than 50 dBA @ 1 meter. Rackmount UPS shall have smart RS-232/USB connectivity and support Windows, Linux Unix and Mac operating systems. Rackmount UPS shall be RoHS 3 compliant. Rackmount UPS shall be warranted to be free from defects in materials and workmanship under normal use and conditions for a period of 2 years; battery shall be warranted for a period of 2 years. Rackmount UPS shall be cTUVus listed to UL Standard 1778 in US and Canada and FCC/IC Class A.

Customizable specification clips available at [middleatlantic.com](http://middleatlantic.com)



### options:

- UPS-LIP-1 - Legrand UPS remote management SNMP network card
- UPS-LEBATT-1 - Legrand UPS expansion battery for 1.1KVA line interactive and 1KVA online UPS
- UPS-LEBATT-2 - Legrand UPS expansion battery for 1.5KVA online UPS
- UPS-LEBATT-3 - Legrand UPS expansion battery for 1.5 and 2KVA line interactive and 2KVA online UPS
- UPS-LEBATT-4 - Legrand UPS expansion battery for 3KVA line interactive and 3KVA online UPS



WHAT GREAT SYSTEMS ARE BUILT ON™ | [LEGRANDAV.COM](http://LEGRANDAV.COM)

USA P 800.266.7225 E [av.middleatlantic.support@legrand.com](mailto:av.middleatlantic.support@legrand.com)  
CANADA P 888.766.9770 E [av.middleatlantic.support@legrand.com](mailto:av.middleatlantic.support@legrand.com)

©2020 Middle Atlantic Products, Inc. All rights reserved. All other brand names or marks are used for identification purposes and are trademarks of their respective owners. All patents are protected under existing designations. Other patents pending.



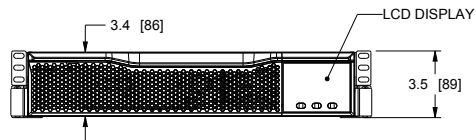
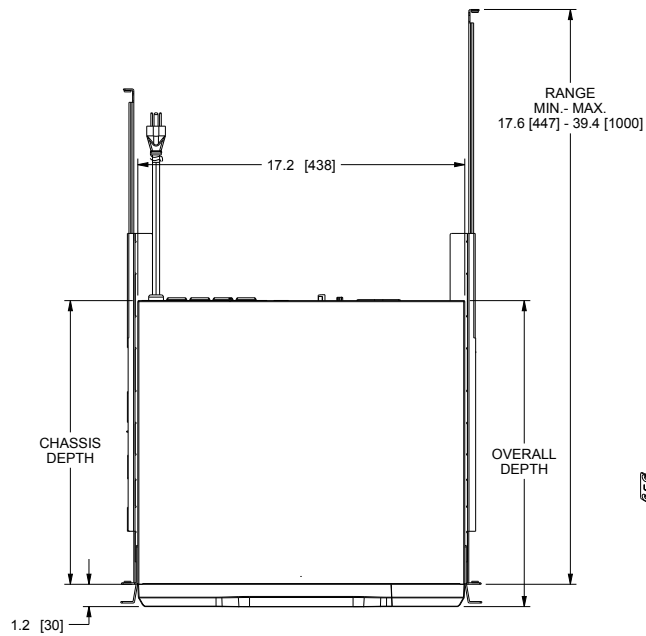
COMMERCIAL BRANDS

C2G | Chief | Da-Lite | Luxul | Middle Atlantic | Vaddio | Wiremold

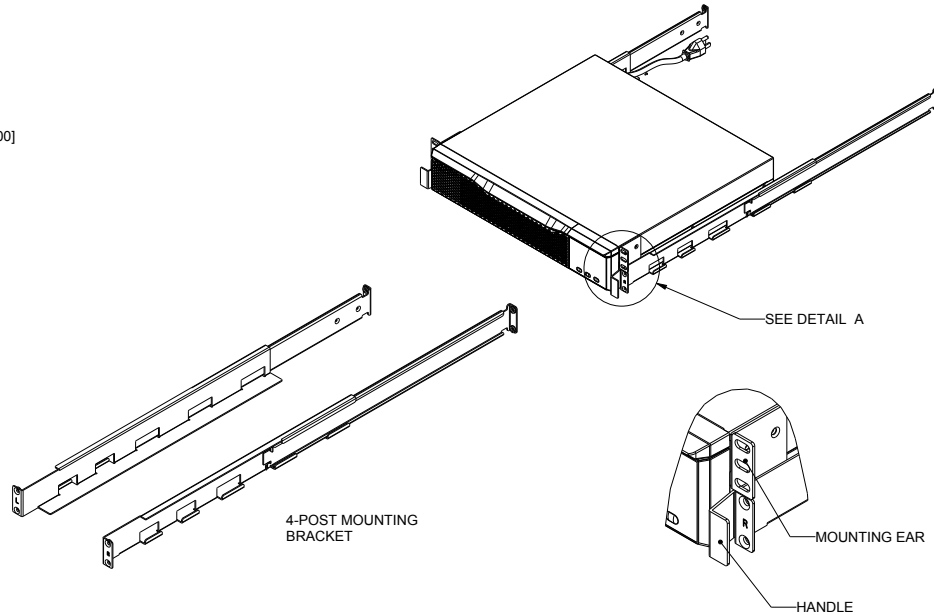
96-01259 / rev - / 2-24-20

# Legrand Double-Conversion Online UPS Series

## Uninterruptible Power Supply



FRONT VIEW  
UPS-LO-1000RT, UPS-LO-1500RT  
UPS-LO-2000RT, UPS-LO-3000RT



NOTE(S):  
1) ALL DIMENSIONS IN FORMAT:  
INCHES [MILLIMETERS]

MODEL #	OVERALL DEPTH IN [MM]	CHASSIS DEPTH IN [MM]
UPS-LO-1000RT	16.1 [410]	15.0 [380]
UPS-LO-1500RT	16.1 [410]	15.0 [380]
UPS-LO-2000RT	20.1 [510]	19.0 [480]
UPS-LO-3000RT	24.8 [630]	23.6 [600]



WHAT GREAT SYSTEMS ARE BUILT ON™ | LEGRANDAV.COM

USA P 800.266.7225 E av.middleatlantic.support@legrand.com  
CANADA P 888.766.9770 E av.middleatlantic.support@legrand.com

©2019 Middle Atlantic Products, Inc. All rights reserved. All other brand names or marks are used for identification purposes and are trademarks of their respective owners. All patents are protected under existing designations. Other patents pending.

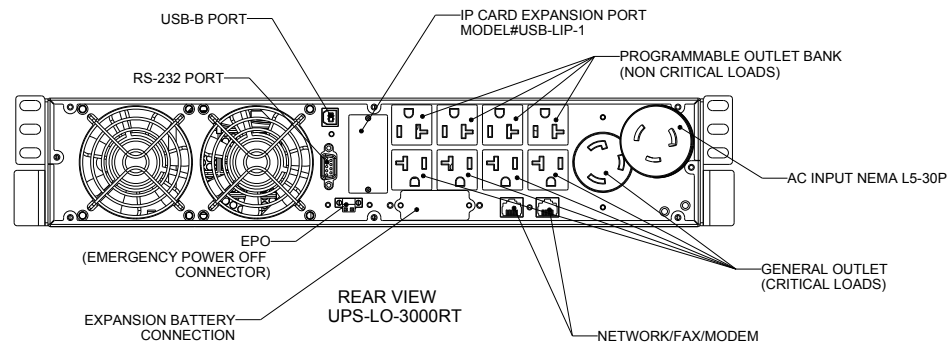
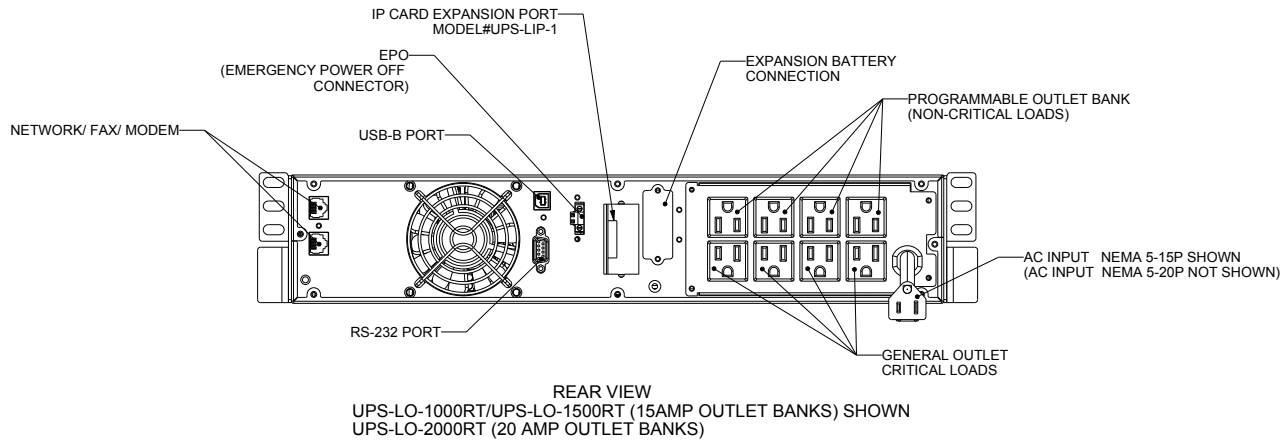


COMMERCIAL BRANDS

C2G | Chief | Da-Lite | Luxul | Middle Atlantic | Vaddio | Wiremold

# Legrand Double-Conversion Online UPS Series

## Uninterruptible Power Supply



WHAT GREAT SYSTEMS ARE BUILT ON™ | LEGRANDAV.COM

USA P 800.266.7225 E av.middleatlantic.support@legrand.com  
CANADA P 888.766.9770 E av.middleatlantic.support@legrand.com

©2019 Middle Atlantic Products, Inc. All rights reserved. All other brand names or marks are used for identification purposes and are trademarks of their respective owners. All patents are protected under existing designations. Other patents pending.



COMMERCIAL BRANDS

C2G | Chief | Da-Lite | Luxul | Middle Atlantic | Vaddio | Wiremold

# Legrand Double-Conversion Online UPS Series

## Uninterruptible Power Supply

### SPECIFICATIONS

Input				
Model/ Capacity	1000VA/ 1000W	1500VA/ 1500W	2000VA/ 2000W	3000VA/ 3000W
Voltage Range	Low Line Transfer	80Vac/70Vac/60Vac/55Vac ± 5 % (based on load percentage 100% - 80 % / 80 % - 70 % / 70 - 60 % / 60 % - 0)		
	Low Line Comeback	87Vac/77Vac/67Vac/62Vac ± 5 %		
	High Line Transfer	150 Vac ± 5 %		
	High Line Comeback	145 Vac ± 5 %		
Frequency Range	40Hz ~ 70 Hz			
Phase	Single phase with ground			
Power Factor	≥ 0.99 @ full load			
THDi	≤ 5% @ 100-130Vac THDU < 1.6% @ input and full linear load condition			
Cord Length	5.5ft (1.68m)			
Plug type	NEMA 5-15P		NEMA 5-20P	NEMA L5-30P

Efficiency				
Model/ Capacity	1000VA/ 1000W	1500VA/ 1500W	2000VA/ 2000W	3000VA/ 3000W
AC Mode	≥ 89% @ full charged battery		≥ 91% @ full charged battery	
ECO (Efficiency Corrective Optimizer) Mode	≥ 91% @ full charged battery			
Battery Mode	≥ 88%		≥ 90%	
Load shedding Programmable Outlets	4 x NEMA 5-15R		4 x NEMA 5-20R	3 x NEMA 5-20R
Load shedding General Outlets	4 x NEMA 5-15R		4 x NEMA 5-20R	3 x NEMA 5-20R + 1 x L5-30R

Output				
Model/ Capacity	1000VA/ 1000W	1500VA/ 1500W	2000VA/ 2000W	3000VA/ 3000W
Output voltage	100/110/115/120/127 Vac			
AC Voltage Regulation	± 1% (Battery Mode)			
Frequency Range (Synchronized Range)	47 ~ 53 Hz or 57 ~ 63 Hz			
Frequency Range	50 Hz ± 0.1 Hz or 60Hz ± 0.1 Hz (Battery Mode)			
Current Crest Ratio	3:1			
Total Outlet quantity/type	8 x NEMA 5-15R		8 x NEMA 5-20R	6 x NEMA 5-20R + 1 x L5-30
Harmonic Distortion	≤ 2 % THD (Linear Load) ; ≥ 4 % THD (Non-linear Load)			
Transfer Time	AC Mode to Battery Mode	Zero		
	Inverter to Bypass	< 4 ms		
Waveform (Battery Mode)	Pure Sinewave			
Thermal Dissipation	375 BTU/H	562 BTU/H	750 BTU/H	1023 BTU/H

Battery				
Model/ Capacity	1000VA/ 1000W	1500VA/ 1500W	2000VA/ 2000W	3000VA/ 3000W
Battery Type	12V/9Ah	12V/9Ah	12V/9Ah	12V/9Ah
Numbers	2	3	4	6
Recharge Time	3 hours recover to 95% capacity for internal battery@ 2A charging current			
Charging Current	Default: 2A, Max: 8A auto-adjustable via battery AH setting			
Charging Voltage	27.4 Vdc ± 1%	41.0 Vdc ± 1%	54.7 Vdc ± 1%	82.1 Vdc ± 1%
Runtime Full Load	3 mins	3 mins	3 mins	3 mins
Runtime Half Load	10 mins	10 mins	10 mins	10 mins



WHAT GREAT SYSTEMS ARE BUILT ON™ | LEGRANDAV.COM

USA P 800.266.7225 E av.middleatlantic.support@legrand.com  
CANADA P 888.766.9770 E av.middleatlantic.support@legrand.com

©2019 Middle Atlantic Products, Inc. All rights reserved. All other brand names or marks are used for identification purposes and are trademarks of their respective owners. All patents are protected under existing designations. Other patents pending.



COMMERCIAL BRANDS

C2G | Chief | Da-Lite | Luxul | Middle Atlantic | Vaddio | Wiremold

# Legrand Double-Conversion Online UPS Series

## Uninterruptible Power Supply

### SPECIFICATIONS

Physical					
Model/ Capacity	1000VA/ 1000W	1500VA/ 1500W	2000VA/ 2000W	3000VA/ 3000W	
Dimension, D x W x H (inches)	16.1 x 17.2 x 3.5		20.1 x 17.2 x 3.5	24.8 x 17.2 x 3.5	
Dimension, D x W x H (mm)	410 x 438 x 88		510 x 438 x 88	630 x 438 x 88	
Net Weight (lbs.)	With battery	25.7	34.2	43.0	60.6
	Without battery	14.5	17.9	20.7	27.3
Net Weight (kgs.)	With battery	11.7	15.5	19.5	27.5
		6.6	8.1	9.4	12.4

Environment				
Model/ Capacity	1000VA/ 1000W	1500VA/ 1500W	2000VA/ 2000W	3000VA/ 3000W
Operation Humidity	20-95 % RH @ 32 – 104°F or 0 – 40°C (non-condensing)			
Acoustic Noise Level	Less than 50dBA @ 3.28 ft. or 1 Meter (With fan speed control)			

Management				
Model/ Capacity	1000VA/ 1000W	1500VA/ 1500W	2000VA/ 2000W	3000VA/ 3000W
Smart RS-232 or USB	Supports Windows® 2000/2003/XP/Vista/2008/7/8/10, Linux, Unix and MAC			
Optional SNMP	Power management from SNMP manager and web browser			

Expandable Battery Box Specification				
Model	UPS-LEBATT1	UPS-LEBATT2	UPS-LEBATT3	UPS-LEBATT4
Capacity	18Ah24V	18Ah36V	18Ah48V	18Ah72V
Used with UPS Models	UPS-LO-1000RT	UPS-LO-1500RT	UPS-LO-2000RT	UPS-LO-3000RT
Battery Type	12V 9Ah	12V 9Ah	12V 9Ah	12V 9Ah
Battery Numbers	4	6	8	12
Runtime Full Load UPS+ 1 Expandable box*	17 mins	18 mins	17 mins	18 mins
Runtime Full Load UPS+ 1 Expandable box*	43 mins	44 mins	42 mins	43 mins
Dimensions, D x W x H (inches)	16.1 x 17.2 x 3.5		20.1 x 17.2 x 3.5	24.8 x 17.2 x 3.5
Dimensions, D x W x H (mm)	410 x 438 x 88		510 x 438 x 88	630 x 438 x 88
Net Weight (lbs.)	37.7	47.4	63.9	90.8
Net Weight (kgs.)	17.1	21.5	29.0	41.2

NOTE: Battery pack should be used with corresponding UPS.



WHAT GREAT SYSTEMS ARE BUILT ON™ | LEGRANDAV.COM

USA P 800.266.7225 E av.middleatlantic.support@legrand.com  
CANADA P 888.766.9770 E av.middleatlantic.support@legrand.com

©2019 Middle Atlantic Products, Inc. All rights reserved. All other brand names or marks are used for identification purposes and are trademarks of their respective owners. All patents are protected under existing designations. Other patents pending.



COMMERCIAL BRANDS

C2G | Chief | Da-Lite | Luxul | Middle Atlantic | Vaddio | Wiremold